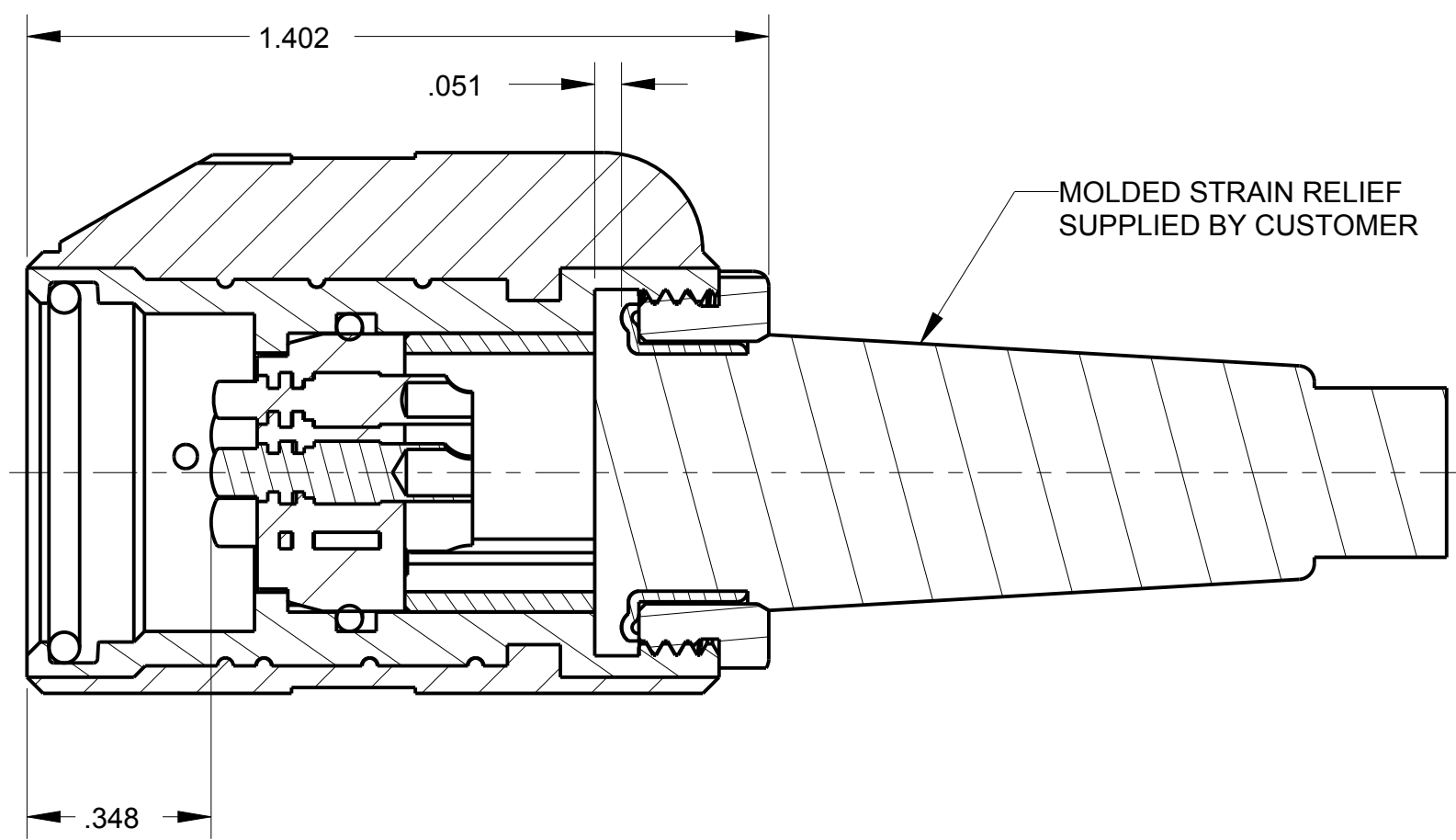
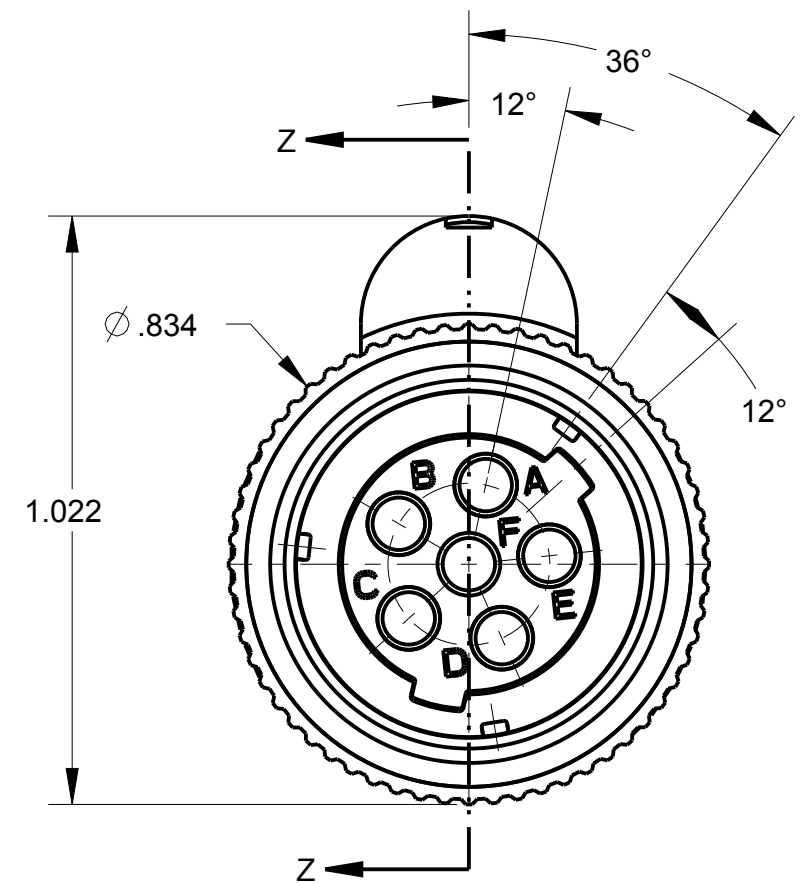
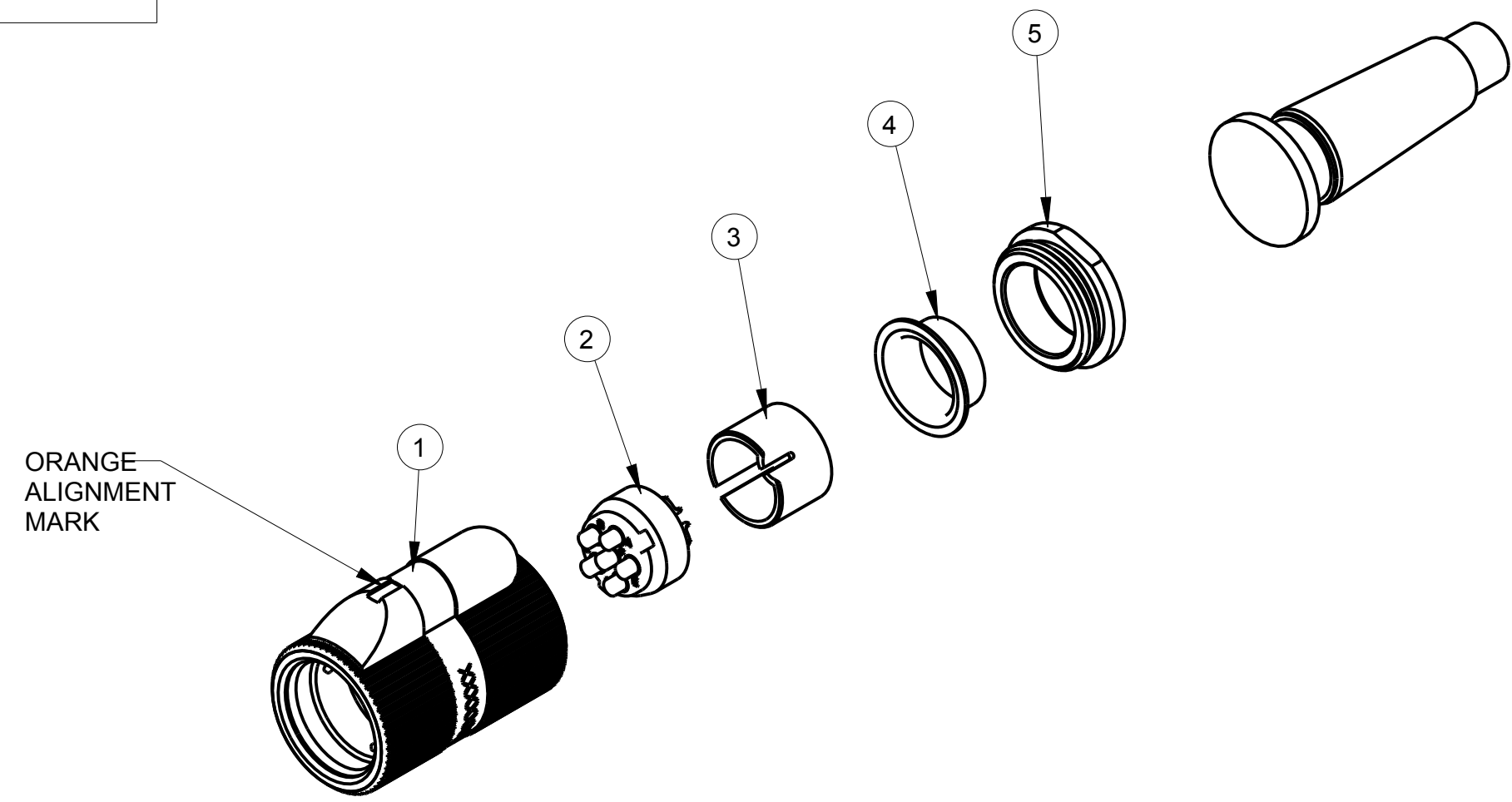


ITEM #	PART #	QTY	DESCRIPTION	MATERIAL
1	AP-166-1	1	SHELL ASS'Y	GLASS FILLED NYLON & 303 SS
2	AP-145-6	1	INSERT ASS'Y	DIALLYPHTHALATE, TYPE SDGF & GOLD PLATED BRASS
3	AP-105-5	1	STRAIN RELIEF	NYLON
4	AP-105-6	1	FERRULE	STAINLESS STEEL
5	AP-105-8	1	NUT CLAMP	NYLON, BLACK PER MIL-P-17091

C AP-166

TABLE	
AUDIO PLUG #	MILITARY PART #
AP-166	M55116/8



NOTES:
 1) UNLESS OTHERWISE SPECIFIED, CONNECTOR MEETS ALL GENERAL REQUIREMENTS & SPECIFICATIONS OF MIL-C-55116

THIS DOCUMENT CONTAINS PROPRIETARY INFORMATION OF NEXUS, INCORPORATED AND SUCH INFORMATION MAY NOT BE DISCLOSED TO OTHERS FOR ANY PURPOSE OR USED FOR ANY PURPOSE WITHOUT THE WRITTEN CONSENT OF NEXUS.

DWN. BY		MNF	DATE		2/4/97	MATERIAL	
CHECKED BY		L SMITH	DATE		9/9/97	FINISH	
APPR. BY		L SMITH	DATE		9/9/97	WEIGHT	SCALE = 1.00 :1
UNLESS OTHERWISE SPECIFIED DIMENSIONS ARE IN INCHES & OR [mm]						NEXUS STAMFORD, CONN.	
TOLERANCES:							
B	ADD P/N'S IN P/L	101	2/25 2011	HR	TITLE		SIZE DWG. NO. C AP-166
A	REVISED & REDRAWN ON CAD	0259	2/24 1997	LS	AUDIO PLUG		
LET.		REVISION	CN #	DATE	CHK	DO NOT SCALE DWG. SHEET 1 OF 1	