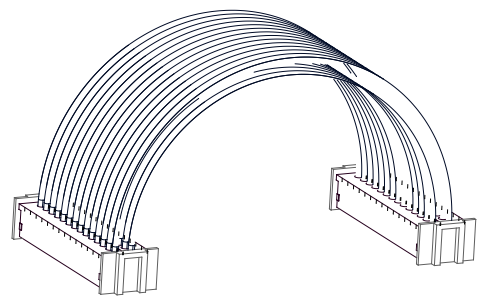
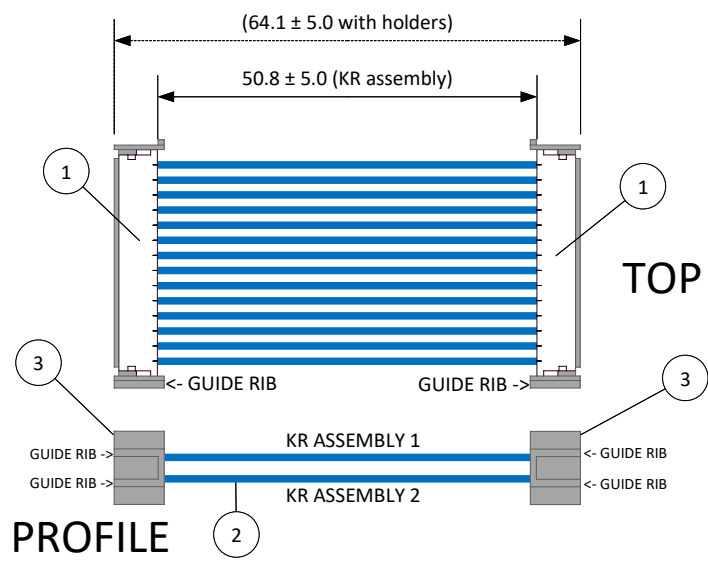
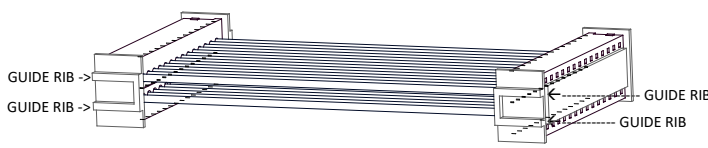


THIS DRAWING CONTAINS INFORMATION THAT IS PROPRIETARY TO J.S.T. AND SHALL NOT BE USED OR SHOWN WITHOUT WRITTEN PERMISSION.

ITEM	QTY.	PART NO.	DESCRIPTION
1	4	14KR-6S-P	KR CONNECTOR
2	1,708 mm	UL1061, 26AWG	BLUE
3	2	KRWH-28C-H	GRAY CONNECTOR HOLDER



Electrical Specifications
Current: 1.0A AC/DC
Voltage: 100V AC/DC

DIMENSIONS		SCALE	
All dimensions are in MM with a tolerance of +/- 5.0 unless otherwise specified.		1 : 1	
DESCRIPTION		ASSEMBLY PART NO.	
2.0 mm Pitch KRW Catalog Standard Assembly - 2" Inside Length		A28KRW28KRW26E51D	
DRAWN BY		DRAWING NO.	
STEVEN PILKINGTON		GAM-1077	
CHECKED BY		DATE	
CHELSEA COLE		10/29/2021	

REV.	DESCRIPTION	DATE	BY
------	-------------	------	----