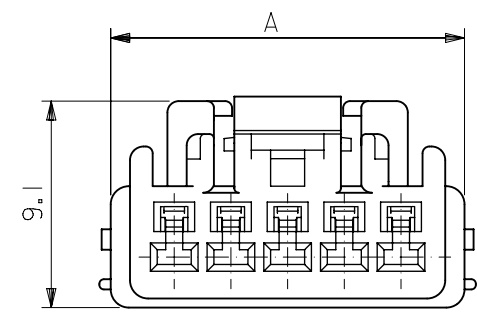
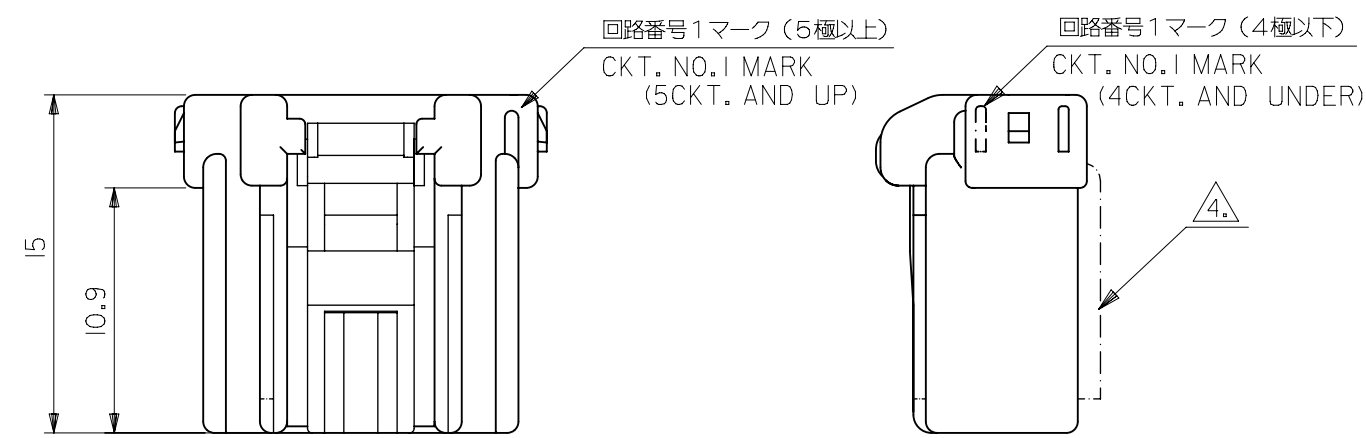
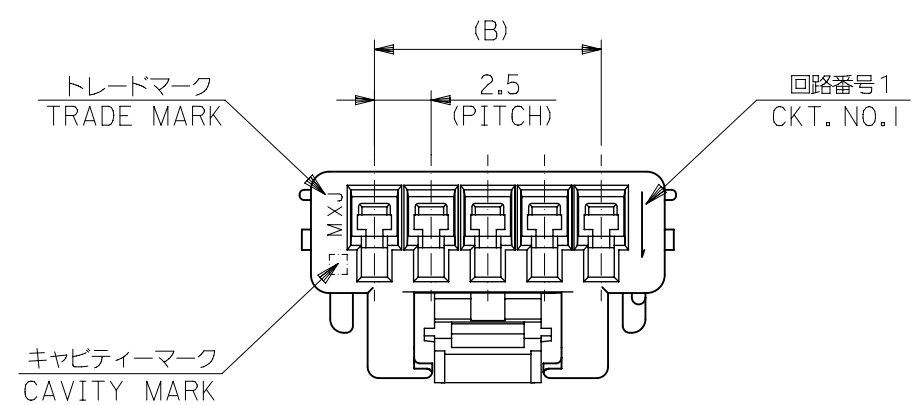


SHAPE OF  
500592-050\*



注記  
NOTES

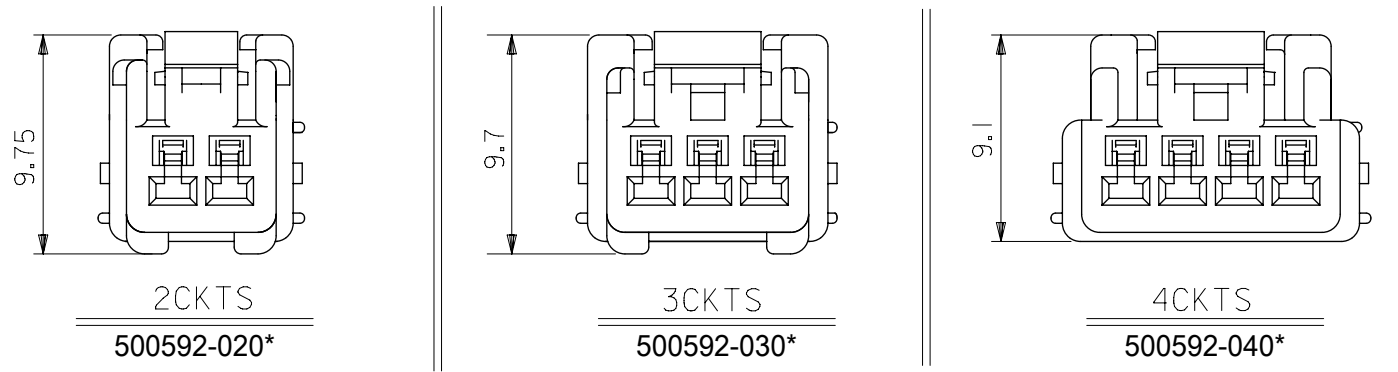
1. 適合ターミナル : 50397シリーズ  
APPLICABLE TERMINAL : 50397 SERIES
2. 適合リテーナー : 500817シリーズ  
APPLICABLE RETAINER : 500817 SERIES
3. 嵌合相手 : 500593シリーズ  
MATE WITH : 500593 SERIES
4. 2及び3極に適用。  
APPLY 2&3 CIRCUITS.
5. 材質 : PBT (UL94V-0)  
MATERIAL : PBT(UL94V-0)

6. MATERIAL NO. は以下の内容を示す。  
MATERIAL NO. :

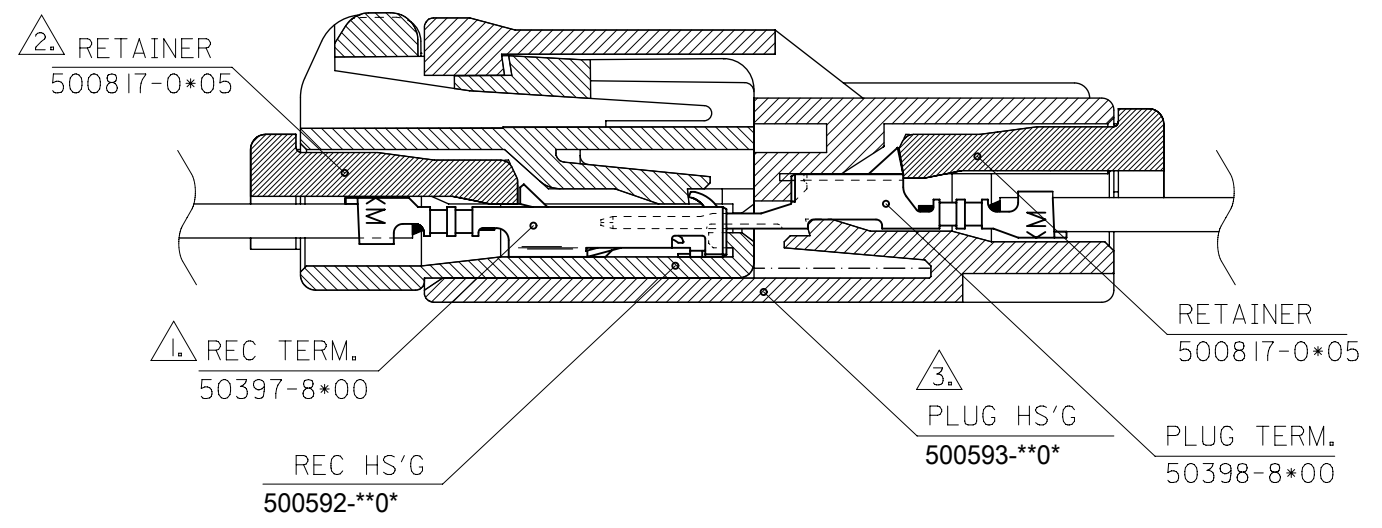
- 500592-\*\*0\*
- 極数 ← 色  
CKT COLOR
- 0: 自然色 NATURAL
  - 1: 黒 BLACK
  - 2: 赤 RED
  - 3: 黄色 YELLOW
  - 4: 青 BLUE
  - 6: 緑 GREEN

PRE-RELEASE  
REFERENCE  
USE ONLY

4極以下での極数レイアウト図  
LAYOUT OF 2/3/4CKTS.



ターミナル装着状態図  
TERMINAL ASSEMBLY DRAWING



THIS DRAWING CONTAINS INFORMATION THAT IS PROPRIETARY TO MOLEX ELECTRONIC TECHNOLOGIES, LLC AND SHOULD NOT BE USED WITHOUT WRITTEN PERMISSION		500592-**0*		MODEL NO.	
DIMENSION UNITS	SCALE	CURRENT REV DESC: OBSOLETE PART NUMBERS AS PER PCN#512131.			
mm	NTS	<p>2.5MM WIRE TO WIRE CONN RECEPTACLE HOUSING</p>			
GENERAL TOLERANCES (UNLESS SPECIFIED)					
ANGULAR TOL	± 3.0°	PRODUCT CUSTOMER DRAWING			
4 PLACES	± 0.2	EC NO: 727779	2022/10/26	DOC TYPE	DOC PART
3 PLACES	± 0.25	DRWN: ANIKES1	2022/11/29	PSD	001
2 PLACES	± 0.3	CHK'D: GGA	2022/11/29	REVISION	
1 PLACE	±	APPR: GGA	2022/11/29	SD-500592-001	
0 PLACES	±	INITIAL REVISION:		DOCUMENT NUMBER	
DRAFT WHERE APPLICABLE MUST REMAIN WITHIN DIMENSIONS		DRWN: TODA	2004/06/11	SD-500592-001	
THIRD ANGLE PROJECTION		APPR: YOITO	2004/06/16	DOC TYPE	
DRAWING		SERIES		DOC PART	
A3-SIZE		500592		001	
MATERIAL NUMBER		CUSTOMER		REVISION	
SEE TABLE		GENERAL MARKET		C	
SHEET NUMBER		1 OF 2			

10

9

8

7

6

5

4

3

2

1

F

F

E

E

D

D

C

C

B

B

A

A

500593-080*	500817-0805	17.5	23.1	8	---	---	---	---	500592-0800	
↑ -070*	↑ -0705	15	20.6	7	---	---	---	---	↑ -0700	
-060*	-0605	12.5	18.1	6	---	---	---	---	-0600	
-050*	-0505	10	15.6	5	---	---	---	---	-0500	500592-**0*
-040*	-0405	7.5	13.1	4	---	500592-0403	---	---	-0400	
↓ -030*	↓ -0305	5	10.6	3	500592-0304	---	---	---	↓ -0300	
500593-020*	500817-0205	2.5	8.1	2	500592-0204	500592-0203	500592-0202	500592-0201	500592-0200	
MATE WITH	CONFORTABLE-RETAINER	B	A	CKT.	BLUE	YELLOW	RED	BLACK	NATURAL	MODEL NO.

PRE-RELEASE  
 REFERENCE ONLY  
 USE ONLY

THIS DRAWING CONTAINS INFORMATION THAT IS PROPRIETARY TO MOLEX ELECTRONIC TECHNOLOGIES, LLC AND SHOULD NOT BE USED WITHOUT WRITTEN PERMISSION

DIMENSION UNITS	SCALE	CURRENT REV DESC: OBSOLETE PART NUMBERS AS PER PCN#512131.	<b>molex</b>		
mm	NTS				
GENERAL TOLERANCES (UNLESS SPECIFIED)			2.5MM WIRE TO WIRE CONN RECEPTACLE HOUSING		
ANGULAR TOL ± 3.0 °			PRODUCT CUSTOMER DRAWING		
4 PLACES	± 0.2	EC NO: 727779	DOCUMENT NUMBER		
3 PLACES	± 0.25	DRWN: ANIKES1 2022/10/26	SD-500592-001		
2 PLACES	± 0.3	CHK'D: GGA 2022/11/29	DOC TYPE	DOC PART	REVISION
1 PLACE	±	APPR: GGA 2022/11/29	PSD	001	C
0 PLACES	±	INITIAL REVISION:	SHEET NUMBER		
DRAFT WHERE APPLICABLE MUST REMAIN WITHIN DIMENSIONS		DRWN: TODA 2004/06/11	2 OF 2		
THIRD ANGLE PROJECTION		APPR: YOITO 2004/06/16			
DRAWING		SERIES			
A3-SIZE		500592			
MATERIAL NUMBER		CUSTOMER			
SEE TABLE		GENERAL MARKET			

DOCUMENT STATUS	P1	RELEASE DATE	2022/11/29	12:45:08
-----------------	----	--------------	------------	----------

FORMAT: master-b-prod-A3 REVISION: 11 DATE: 2021/05/01

9 8 7 6 5 4 3 2 1