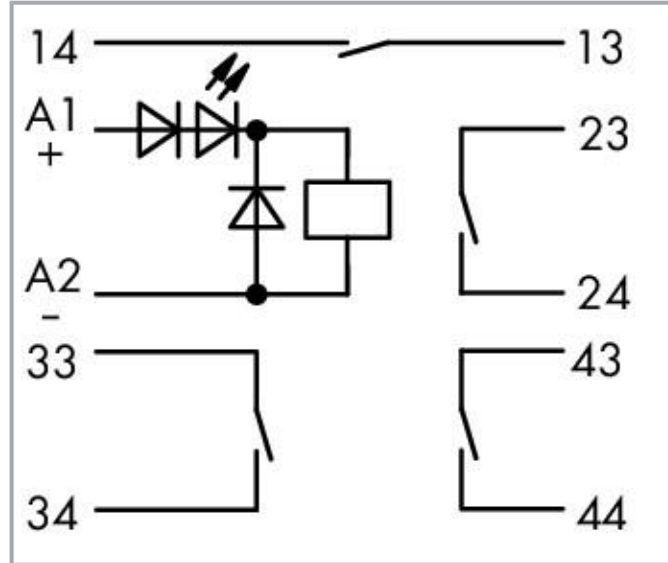


Data sheet | Item number: 286-352/004-000

Relay module; Nominal input voltage: 24 VDC; 4 make contacts; Limiting continuous current: 5 A; Railway; Red status indicator; Module width: 25 mm; gray



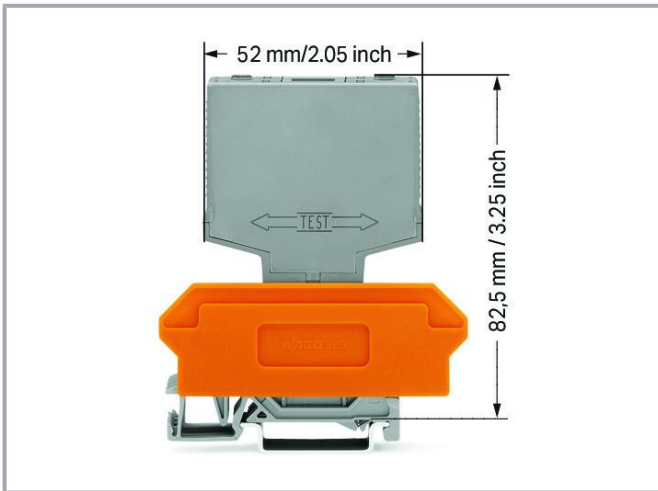
[www.wago.com/286-352/004-000](http://www.wago.com/286-352/004-000)



Subject to changes. Please also observe the further product documentation!

WAGO GmbH & Co. KG  
Hansastr. 27  
32423 Minden  
Phone: +49571 887-0 | Fax: +49571 887-169  
Email: [info.de@wago.com](mailto:info.de@wago.com) | Web: [www.wago.com](http://www.wago.com)

Do you have any questions about our products?  
We are always happy to take your call at +49 (571) 887-44222.



## Data

### Technical data

#### Control Circuit

Nominal input voltage $U_N$	DC 24 V
Input voltage range	-30 ... +25 %
Nominal input current at $U_N$	9 mA

#### Load circuit

Number of make/switch-on contacts	4
Contact material (relay)	AgNi + Au
Limiting continuous current	5 A
Switching voltage (max.)	AC 250 V
Pull-in time (typ.)	10 ms
Drop-out time (typ.)	5 ms
Bounce time (typ.)	2 ms

#### Safety and protection

Rated voltage	250 V
Rated surge voltage	2.5 kV
Pollution degree	2
Dielectric strength (control/load circuit) (AC, 1 min)	1.5 kVrms
Protection type	IP20

Subject to changes. Please also observe the further product documentation!



## Physical data

Width	25 mm / 0.984 inches
Height from upper-edge of DIN-rail	82.5 mm / 3.248 inches
Depth	52 mm / 2.047 inches

## Mechanical data

Mounting type	Pluggable module for receptacle terminal blocks
---------------	---

## Material Data

Color	gray
Fire load	15.112 MJ
Weight	40.1 g

## Environmental requirements

Ambient temperature (operation at $U_N$ )	-25 ... +70 °C
Ambient temperature (storage)	-25 ... +70 °C
Processing temperature	-25 ... +50 °C
Relative humidity	5 ... 85 % (no condensation permissible)
Operating altitude (max.)	2000 m

## Standards and specifications

Standards/specifications	EN 60664-1
--------------------------	------------

## Commercial data

Product Group	6 (INTERFACE ELECTRONIC)
eCl@ss 10.0	27-37-16-01
eCl@ss 9.0	27-37-16-01
ETIM 8.0	EC001437
ETIM 7.0	EC001437
PU (SPU)	10 (1) pcs
Packaging type	box
Country of origin	DE
GTIN	4055143104760
Customs tariff number	85364900990


Subject to changes. Please also observe the further product documentation!

## Environmental Product Compliance

CAS-No.	7439-92-1 79-94-7
REACH Candidate List Substance	2,2',6,6'-tetrabromo-4,4'-isopropylidenediphenol Lead
RoHS Compliance Status	Compliant,With Exemption
RoHS Exemption	7(a) 7(c)-I 7(c)-II
SCIP notification number (Austria)	bf930b2d-e357-465c-96d7-3e8b0bf89a2b
SCIP notification number (Belgium)	bc2ec3b4-0412-48bd-ad5a-ecd39196622d
SCIP notification number (Bulgaria)	2cb282cd-cb32-42b2-8779-4fc429e12ee1
SCIP notification number (Czech Republic)	1452ea77-3381-49c2-bacd-0c4f0ca3b2ac
SCIP notification number (Denmark)	d9ee84a9-3db0-4341-abd7-ca0c21680530
SCIP notification number (Finland)	0237c6af-7920-44d7-8b0d-81311cd6108b
SCIP notification number (France)	d16fcd46-55d1-4de7-8287-7304e4eb1ade
SCIP notification number (Germany)	1f1f3731-59f5-4065-b4e7-c49b165fb577
SCIP notification number (Hungary)	87cee33c-de33-4603-b146-70b65247a0f4
SCIP notification number (Italy)	f25e43d5-92e9-43f4-82ea-4dc5d836247b
SCIP notification number (Netherlands)	52650da2-2998-46ec-9897-d3d91b1a5fae
SCIP notification number (Poland)	4e8bd6a1-1551-4be2-9d73-5c561605e082
SCIP notification number (Romania)	3653fb6d-9806-484e-9bbd-2ed40d1bdd7f
SCIP notification number (Sweden)	3f5e52e7-3e95-402e-b70d-4fbfa9d9fc49

## Approvals / Certificates

### General approvals

Logo	Approval	Additional Approval Text	Certificate name
	EAC Brjansker Zertifizierungsstelle	TP TC 004/2011	EAC RU C-DE.AM02. B.00122 /19

## Optional accessories

### Terminal blocks

Terminal block for pluggable modules



**Item no.: 280-629**

Terminal block for pluggable modules; 10-pole; with 4-conductor terminal blocks; with orange separator; for DIN-rail 35 x 15 and 35 x 7.5; 2.5 mm<sup>2</sup>; CAGE CLAMP®; 2,50 mm<sup>2</sup>; gray

[www.wago.com/280-629](http://www.wago.com/280-629)

Subject to changes. Please also observe the further product documentation!

WAGO GmbH & Co. KG

Hansastr. 27

32423 Minden

Phone: +49571 887-0 | Fax: +49571 887-169

Email: [info.de@wago.com](mailto:info.de@wago.com) | Web: [www.wago.com](http://www.wago.com)

Do you have any questions about our products?

We are always happy to take your call at +49 (571) 887-44222.



**Item no.: 280-639**

Terminal block for pluggable modules; 10-pole; with 2-conductor terminal blocks; with orange separator; for DIN-rail 35 x 15 and 35 x 7.5; 2.5 mm<sup>2</sup>; CAGE CLAMP®; 2,50 mm<sup>2</sup>; gray

[www.wago.com/280-639](http://www.wago.com/280-639)



**Item no.: 280-765**

Terminal block for pluggable modules; 10-pole; with 4-conductor terminal blocks; with marker carrier; with orange separator; for DIN-rail 35 x 15 and 35 x 7.5; 2.5 mm<sup>2</sup>; CAGE CLAMP®; 2,50 mm<sup>2</sup>; gray

[www.wago.com/280-765](http://www.wago.com/280-765)

**Marking accessories**

Marker



**Item no.: 209-701**

WSB marking card; as card; not stretchable; plain; snap-on type; white

[www.wago.com/209-701](http://www.wago.com/209-701)

**Downloads**

**Documentation**

**Bid Text**

286-352/004-000 X81 - Datei	2019 Feb 19	xml 3.9 kB	Download
--------------------------------	-------------	---------------	----------

286-352/004-000 doc - Datei	2015 Mar 27	doc 27.1 kB	Download
--------------------------------	-------------	----------------	----------

**Instruction Leaflet**

		pdf 1.3 MB	Download
--	--	---------------	----------

**Additional Information**

Disposal and Recycling Electrical and electronic equipment, Batteries, Packaging	V 1.1.0 2022 Aug 18	pdf 2.2 MB	Download
---	------------------------	---------------	----------

**CAD/CAE-Data**

**CAE data**

WSCAD Universe 286-352/004-000		URL	Download
--------------------------------	--	-----	----------

WSCAD Universe 286-352/004-000		URL	Download
--------------------------------	--	-----	----------

**Environmental Product Compliance**

**Compliance Search**

Subject to changes. Please also observe the further product documentation!

WAGO GmbH & Co. KG  
Hansastr. 27  
32423 Minden  
Phone: +49571 887-0 | Fax: +49571 887-169  
Email: [info.de@wago.com](mailto:info.de@wago.com) | Web: [www.wago.com](http://www.wago.com)

Do you have any questions about our products?  
We are always happy to take your call at +49 (571) 887-44222.

Environmental Product Compliance 286-352/004-000

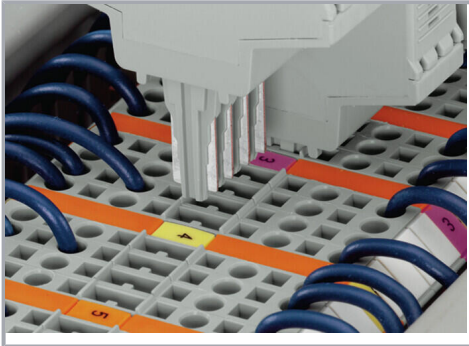
[URL](#)

[Download](#)

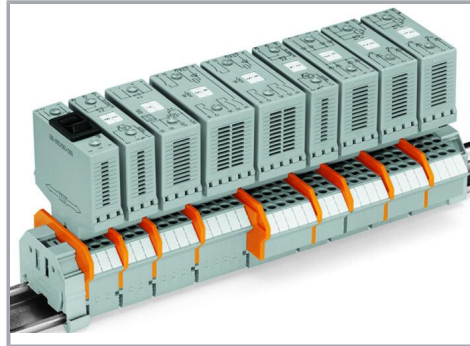
Relay module; Nominal input voltage: 24 VDC; 4 make contacts; Limiting continuous current: 5 A; Railway; Red status indicator; Module width: 25 mm; gray

## Installation Notes

### Installation



Coding ensures correct polarity.



Pluggable electronic modules on 2- or 4-conductor carrier terminal blocks

### Marking



Marking via WMB Multi Marking System.

### Testing

Subject to changes. Please also observe the further product documentation!



Function testing via touch-proof test slots

Subject to changes. Please also observe the further product documentation!

WAGO GmbH & Co. KG  
Hansastr. 27  
32423 Minden  
Phone: +49571 887-0 | Fax: +49571 887-169  
Email: [info.de@wago.com](mailto:info.de@wago.com) | Web: [www.wago.com](http://www.wago.com)

Do you have any questions about our products?  
We are always happy to take your call at +49 (571) 887-44222.