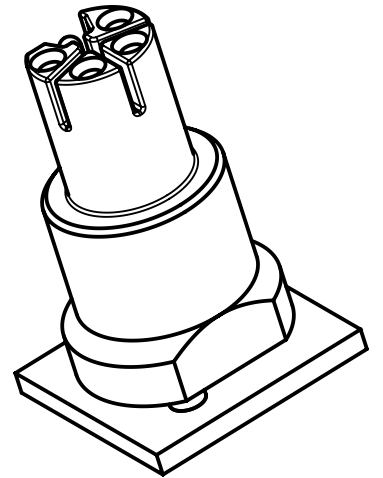
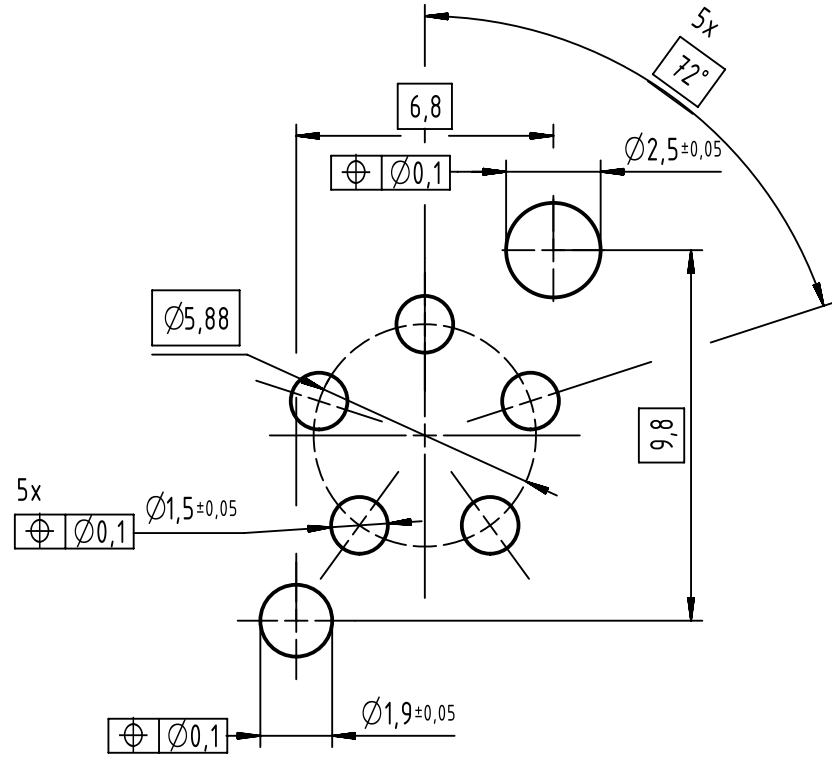
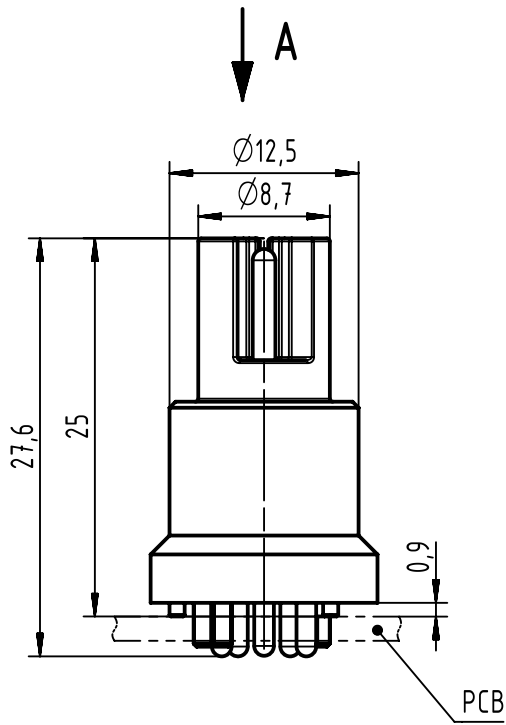
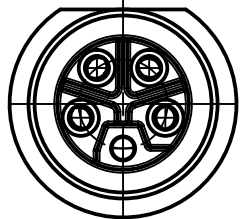


A (5:1)  
recommended PCB-layout



contact face based on  
IEC 61076-2-111



	All rights reserved Department EC PD - RO	All Dimensions in mm Original Size DIN A4		Scale 2:1	Free size tol.		Ref.	
		HARTING Electronics GmbH D-32339 Espelkamp	Created by STOICA	Inspected by DRAGHICI	Standardisation HOFFMANN	Date 2017-08-22	State Final Release	Doc-Key / ECM-Nr. 100600624/UGD/002/C 500000123155
		Title M12 Power Female PCB receptacle L-coded					Rev. C	
		Type TB		Number 21033962505			Page 1/1	