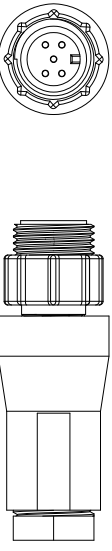
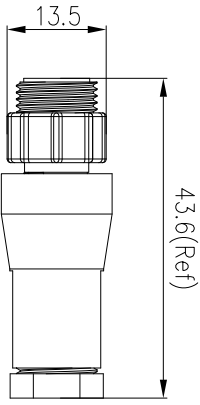
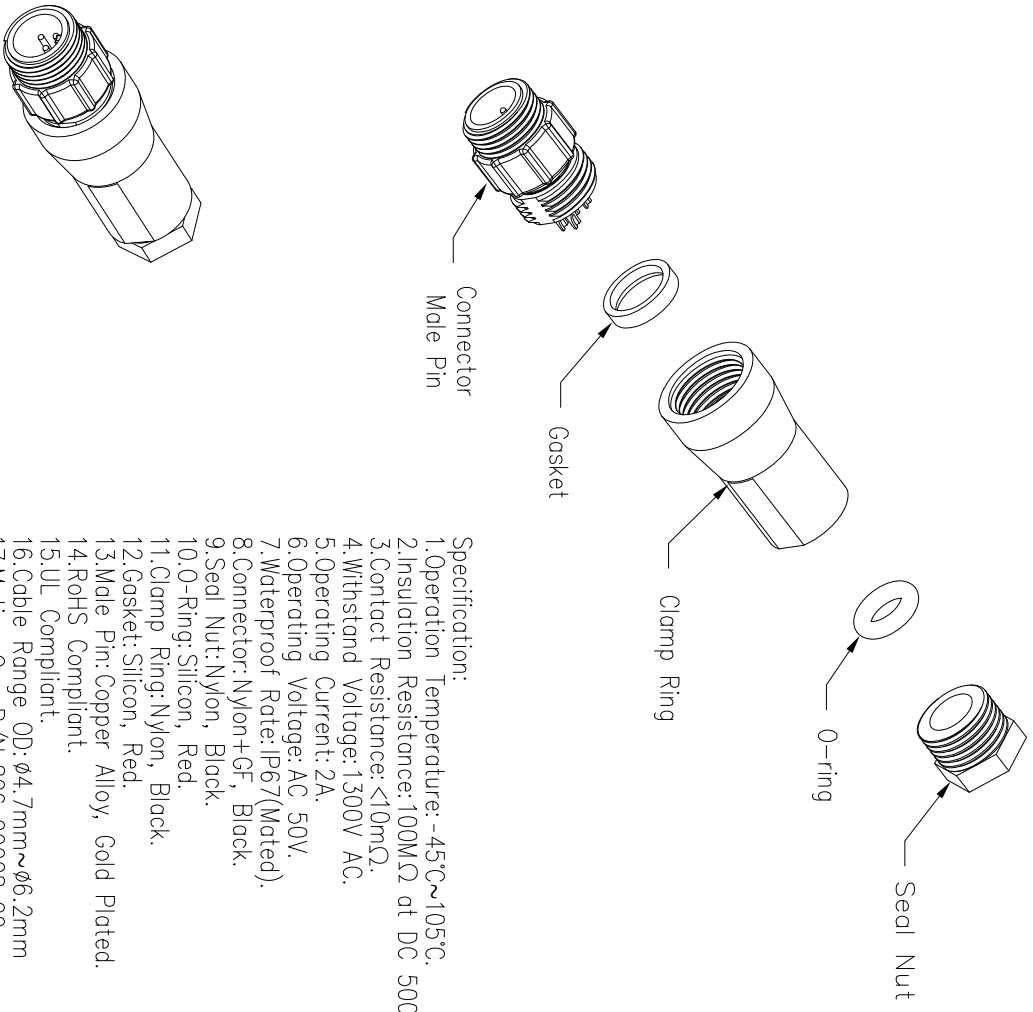


REV.	ECN NO.	DESCRIPTION	SIGN	DATE
C1	N/A	INITIAL DRAWING	Victory	2019/08/22



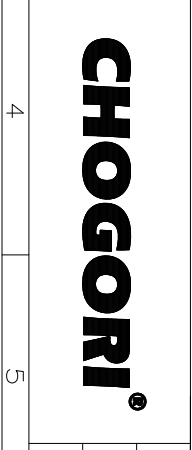
21XXX311-01
Pin Number

5 Pin	6 Pin
P/N: 21005311-01	P/N: 21006311-01
Pin Assignments Front View	
7 Pin	8 Pin
P/N: 21007311-01	P/N: 21008311-01



- Specification:
1. Operation Temperature: -45°C~105°C.
 2. Insulation Resistance: 100MΩ at DC 500V.
 3. Contact Resistance: <10mΩ.
 4. Withstand Voltage: 1300V AC.
 5. Operating Current: 2A.
 6. Operating Voltage: AC 50V.
 7. Waterproof Rate: IP67(Mated).
 8. Connector: Nylon+GF, Black.
 9. Seal Nut: Nylon, Black.
 10. O-Ring: Silicon, Red.
 11. Clamp Ring: Nylon, Black.
 12. Gasket: Silicon, Red.
 13. Male Pin: Copper Alloy, Gold Plated.
 14. RoHS Compliant.
 15. UL Compliant.
 16. Cable Range OD: φ4.7mm~φ6.2mm
 17. Mating Cap P/N: 806-00028-00.

UNIT: mm	DESCRIPTION		
	Mini Series Screw Type Female Plug With Male Pin		
TOLERANCE	SCALE:	SIZE	SHEET
.X .XX .XXX ANGLES	1:1	A4	1 OF 1
	REV		*: Inspection Item
	C1		



PART NO	21XXX311-01	DRAWN BY	Victory	DATE	2019/08/22
DWG NO		CHECKED BY	Ivan	DATE	2019/08/22
CUSTOMER		APPROVED BY	Ponson	DATE	2019/08/22