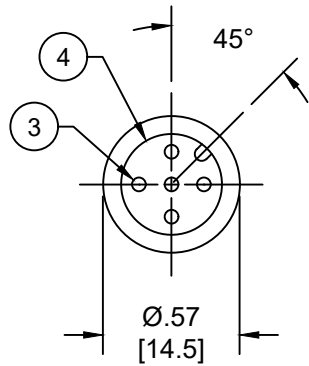
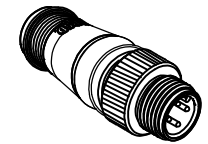
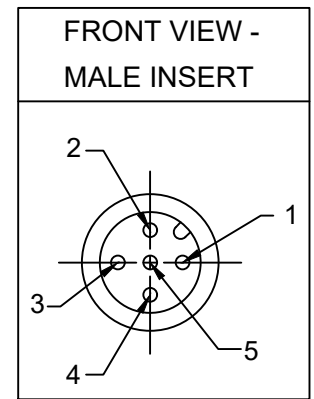
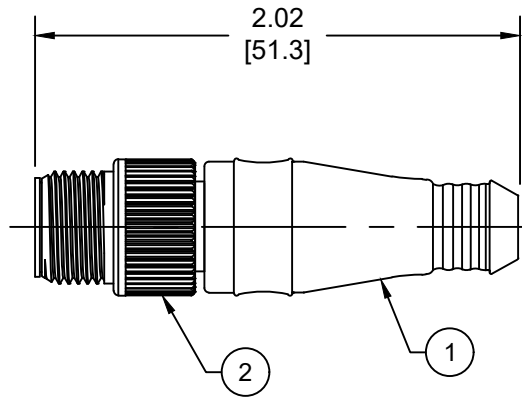


MATERIAL NUMBER	ENGINEERING NUMBER
1200390001	DND100L

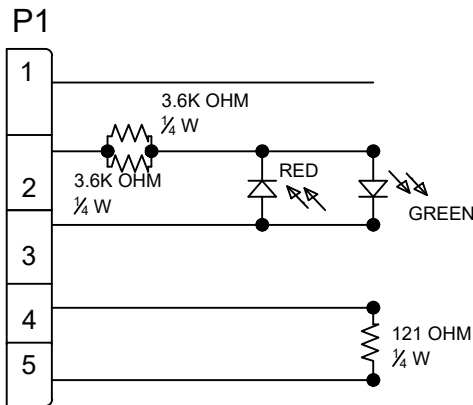


FRONT VIEW - MALE INSERT



NOTES:

- MATERIAL: AS NOTED
- FINISH: AS NOTED
- ELECTRICAL:  
VOLTAGE: 30VDC  
CURRENT: 4A
- TEMP RATING: 0°C TO +80°C <sup>(B)</sup>
- PROTECTION: IP67 (WHEN MATED)
- COUPLING THREAD: M12 X 1
- ALL DIMENSIONS ARE FOR REFERENCE UNLESS TOLERANCED OR NOTED OTHERWISE



WIRING DIAGRAM

4	INSERT	NYLON	BLACK
3	CONTACT PIN	COPPER ALLOY	GOLD OVER NICKEL
2	M12 COUPLNG NUT	ZINC DIE CAST	BLACK E-COATED
1	OVERMOLD	PUR	CLEAR
<b>ITEM</b>	<b>COMPONENT</b>	<b>MATERIAL</b>	<b>FINISH</b>

DOCUMENT STATUS	P1	RELEASE DATE	2021/07/14	21:16:08
-----------------	----	--------------	------------	----------

FUNCTIONAL SYMBOLS	THIS DRAWING CONTAINS INFORMATION THAT IS PROPRIETARY TO MOLEX ELECTRONIC TECHNOLOGIES, LLC AND SHOULD NOT BE USED WITHOUT WRITTEN PERMISSION										
$F_A=0$ $F_C=0$ $F_P=0$	DIMENSION UNITS	SCALE	CURRENT REV DESC: ITEM #1 WAS PVC. UPDATED TEMP RATING								
	INCH/MM	NTS	EC NO: 669893 DRWN: ABENJAMINLW 2021/04/21 CHK'D: RSTONE 2021/07/12 APPR: BWOODMAN 2021/07/14 INITIAL REVISION: DRWN: TWOLDEGE 2010/01/11 APPR: JFMURPHY 2010/01/20								
GENERAL TOLERANCES (UNLESS SPECIFIED)											
DIVISIONAL SYMBOLS		mm	INCH	MICRO-CHANGE D-NET TERMINATOR, M12, 5 POLE, MALE, STRAIGHT, SINGLE KEY, 24 AWG  PRODUCT CUSTOMER DRAWING DOCUMENT NUMBER: SD-120039-001 DOC TYPE: PSD DOC PART: 001 REVISION: B MATERIAL NUMBER: SEE CHART CUSTOMER: GENERAL MARKET SHEET NUMBER: 1 OF 1							
	4 PLACES	±----	±----								
	3 PLACES	±----	±0.005								
	2 PLACES	±0.13	±0.01								
	1 PLACE	±0.25	±0.02								
	0 PLACES	±----	±----								
	ANGULAR TOL ± 0.5 °										
	DRAFT WHERE APPLICABLE MUST REMAIN WITHIN DIMENSIONS			THIRD ANGLE PROJECTION	DRAWING	SERIES	MATERIAL NUMBER	CUSTOMER		SHEET NUMBER	
					A-SIZE	120039	SEE CHART	GENERAL MARKET		1 OF 1	