

注) NOTES 1. 材質 MATERIAL
 ハウジング : ガラス入りPPS、茶色、UL94V-0
 HOUSING:G.F.PPS,BROWN,UL94V-0
 ターミナル : 銅合金 (t=0.2)
 TERMINAL:COPPER ALLOY

7 mm	52760-***70
基板間寸法 STACKING HEIGHT	嵌合相手 TO BE MATED WITH

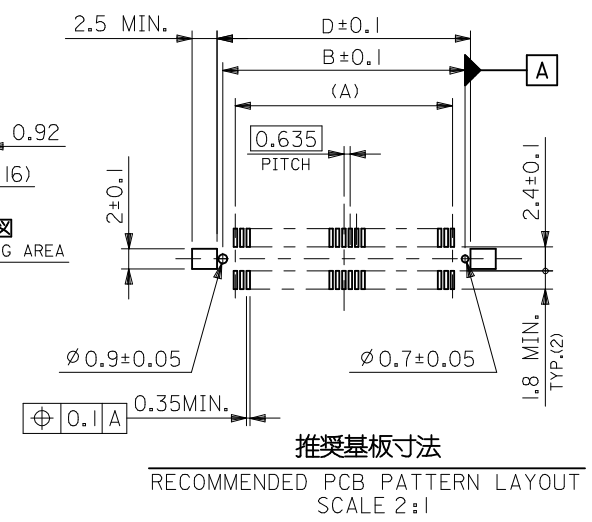
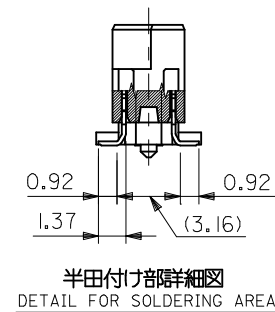
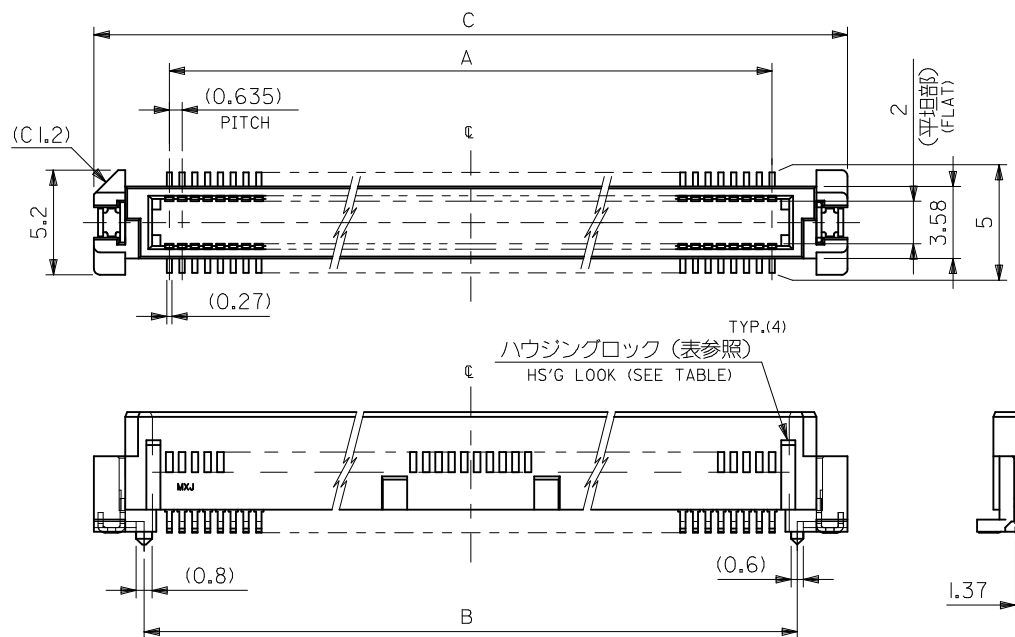
2. メッキ仕様 PLATING
 接点部 : 金メッキ 0.25μm MIN.
 CONTACT AREA:GOLD 0.25μm MIN.
 半田付け部 : 錫メッキ 1.0μm MIN.
 SOLDER TAIL AREA:TIN 1.0μm MIN.
 下地メッキ : ニッケルメッキ 1.5μm MIN.
 UNDER-PLATING:NICKEL 1.5μm MIN.

3. テールのバラツキ寸法 TAIL COPLANARITY
 テール平坦度は0.1MAX.とする。
 TAIL COPLANARITY TO BE 0.1 MAX.
 4. 本製品は53481-***7の鉛フリー製品です。
 THIS PRODUCT IS LEAD FREE OF 53481-***7.

無し NO	79.17	83.07	78.07	75.565	53481-2479	53481-2477	240	○
	66.47	70.37	65.37	62.865	-2079	-2077	200	○
	60.12	64.02	59.02	56.515	-1879	-1877	180	○
	53.77	57.67	52.67	50.165	-1679	-1677	160	○
有り YES	25.2	29.1	24.1	21.59	-0779	-0777	70	○
	9.32	13.22	8.22	5.715	53481-0279	53481-0277	20	○
ハウジングロック HS'G LOCK	D	C	B	A	スティック梱包 STICK PACKAGING	製品番号 MATERIAL NO.	極数 CKT. NO.	量差対応 AVAILABLE

REVISED EC NO: J2017-0575 DRW:KTOYODA 2012/01/31 CHKD:TASAKAWA 2012/02/02 APPR:MSASAO 2017/06/29	DESCRIPTION	GENERAL TOLERANCES (UNLESS SPECIFIED)		DIMENSION STYLE		SCALE		DESIGN UNITS		THIRD ANGLE PROJECTION
				MM ONLY		4:1		METRIC		
		0.25 UNDER ±		DRAWN BY J.KUGOU		DATE 2003/12/11		TITLE		
		0.25 OVER 0.5 UNDER ±		CHECKED BY		DATE		0.635 PITCH B-T0-B S/T PLUG HSG ASSY -LEAD FREE-		
		0.5 OVER 1.0 UNDER ±		APPROVED BY M.SASAO		DATE		molex		
0 OVER 10 UNDER ±0.2		MATERIAL NO.		DOCUMENT NO.		SD-53481-003		SHEET NO. 1 OF 1		
10 OVER 30 UNDER ±0.25		SIZE A3		THIS DRAWING CONTAINS INFORMATION THAT IS PROPRIETARY TO MOLEX ELECTRONIC TECHNOLOGIES, LLC AND SHOULD NOT BE USED WITHOUT WRITTEN PERMISSION						
30 OVER ±0.3		DRAFT WHERE APPLICABLE MUST REMAIN WITHIN DIMENSIONS								

材料 MATERIAL	注) 参照 SEE NOTES
仕上げ FINISH	注) 参照 SEE NOTES



注) NOTES 1. 材質 MATERIAL
 ハウジング : ガラス入りPPS、茶色、UL94V-0
 HOUSING:G.F.PPS,BROWN,UL94V-0
 ターミナル : 銅合金 (t=0.2)
 TERMINAL:COPPER ALLOY

7 mm	52760-***70
基板間寸法 STACKING HEIGHT	嵌合相手 TO BE MATED WITH

2. メッキ仕様 PLATING
 接点部 : 金メッキ 0.25µm MIN.
 CONTACT AREA:GOLD 0.25µm MIN.
 半田付け部 : 錫メッキ 1.0µm MIN.
 SOLDER TAIL AREA:TIN 1.0µm MIN.
 下地メッキ : ニッケルメッキ 1.5µm MIN.
 UNDER-PLATING:NICKEL 1.5µm MIN.

3. テールのバラツキ寸法 TAIL COPLANARITY
 テール平坦度は0.1MAX.とする。
 TAIL COPLANARITY TO BE 0.1 MAX.
 4. 本製品は53481-***7の鉛フリー製品です。
 THIS PRODUCT IS LEAD FREE OF 53481-***7.

無し NO	79.17	83.07	78.07	75.565	53481-2479	53481-2477	240	○
	66.47	70.37	65.37	62.865	-2079	-2077	200	○
	60.12	64.02	59.02	56.515	-1879	-1877	180	○
有り YES	53.77	57.67	52.67	50.165	-1679	-1677	160	○
	25.2	29.1	24.1	21.59	-0779	-0777	70	○
	9.32	13.22	8.22	5.715	53481-0279	53481-0277	20	○
ハウジングロック HSG LOCK	D	C	B	A	スティック梱包 STICK PACKAGING	製品番号 MATERIAL NO.	極数 CKT. NO.	量差対応 AVAILABLE

REVISED EC NO: J2017-0575 DRW:KTOYODA 2012/01/31 CHKD:TASAKAWA 2012/02/02 APPR:MSASAO 2017/06/29	DESCRIPTION	GENERAL TOLERANCES (UNLESS SPECIFIED)		DIMENSION STYLE		SCALE		DESIGN UNITS		THIRD ANGLE PROJECTION			
				MM ONLY		4:1		METRIC		⊙ □			
		0.25 UNDER ±		DRAWN BY J.KUGOU		DATE 2003/12/11		0.635 PITCH B-T0-B S/T PLUG HSG ASSY -LEAD FREE- molex		SD-53481-003		SHEET NO. 1 OF 1	
		0.25 OVER 0.5 UNDER ±		CHECKED BY M.SASAO		DATE							
		0.5 OVER 1.0 UNDER ±		APPROVED BY M.SASAO		DATE							
0 OVER 10 UNDER ±0.2		MATERIAL NO.		SEE CHART		DOCUMENT NO.							
10 OVER 30 UNDER ±0.25		ANGULAR ±3 °		SIZE A3		THIS DRAWING CONTAINS INFORMATION THAT IS PROPRIETARY TO MOLEX ELECTRONIC TECHNOLOGIES, LLC AND SHOULD NOT BE USED WITHOUT WRITTEN PERMISSION							
30 OVER ±0.3		DRAFT WHERE APPLICABLE MUST REMAIN WITHIN DIMENSIONS											

材料 MATERIAL	注) 参照 SEE NOTES
仕上げ FINISH	注) 参照 SEE NOTES

7

6

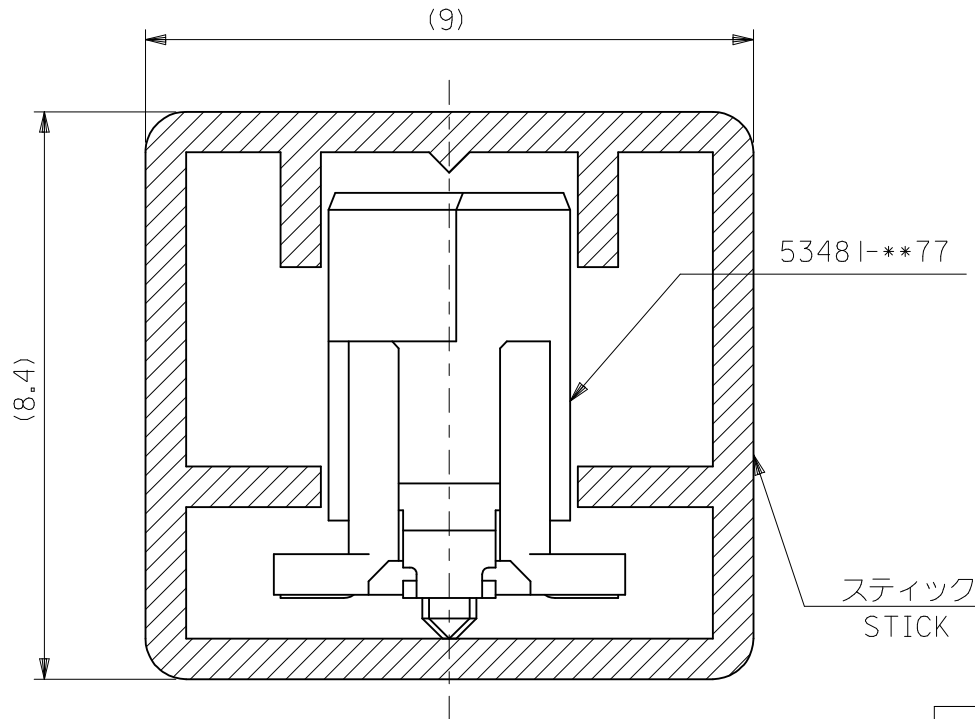
5

4

3

2

1



注)
NOTES.

1. スティック両端はキャップ止め。
BOTH ENDS WITH CAPS.
2. 全長： 600±2
TOTAL LENGTH
3. 肉厚：0.6±0.2
THICKNESS
4. 量産対応済の極数については、
SD-53481-***77を参照下さい。
SEE SD-53481-***77 FOR AVAIRABLE ITEMS.
5. 本製品は SD-53481-***9
の鉛フリー製品です。

6	53481-2479	240
8	↑ -2079	200
8	-1879	180
9	↓ -1679	160
19	-0779	70
42	53481-0279	20
梱包数 QUANTITY	ENG. NUMBER	極数 NO. OF CKT.

材料
MATERIAL
スティック：ポリ塩化ビニル
STICK : P.V.C

REVISED EC NO: J2017-0575 DRWN:GES 2017/05/17 CHKD: APPR:MSASAO 2017/06/29	DESCRIPTION	GENERAL TOLERANCES (UNLESS SPECIFIED)		DIMENSION STYLE MM ONLY		SCALE 10:1	DESIGN UNITS METRIC	THIRD ANGLE PROJECTION			
		0.25 UNDER ±	0.25 OVER 0.5 UNDER ±	0.5 OVER 1.0 UNDER ±	1.0 OVER 10 UNDER ±0.2	10 OVER 30 UNDER ±0.25	30 OVER ±0.3	ANGULAR ±3 °	DRAFT WHERE APPLICABLE MUST REMAIN WITHIN DIMENSIONS	SIZE A4	THIS DRAWING CONTAINS INFORMATION THAT IS PROPRIETARY TO MOLEX ELECTRONIC TECHNOLOGIES, LLC AND SHOULD NOT BE USED WITHOUT WRITTEN PERMISSION
DRAWN BY J. KUGOU		DATE 2003/12/11		CHECKED BY M. SASAO		DATE 2003/12/11		APPROVED BY M. SASAO		DATE 2003/12/11	
MATERIAL NO.		SEE CHART		DOCUMENT NO.		SD-53481-***79		SHEET NO.		1 OF 1	
TITLE		53481-***5 STICK PACKAGING -LEAD FREE-		molex							

6

5

4

3

2

1

7

6

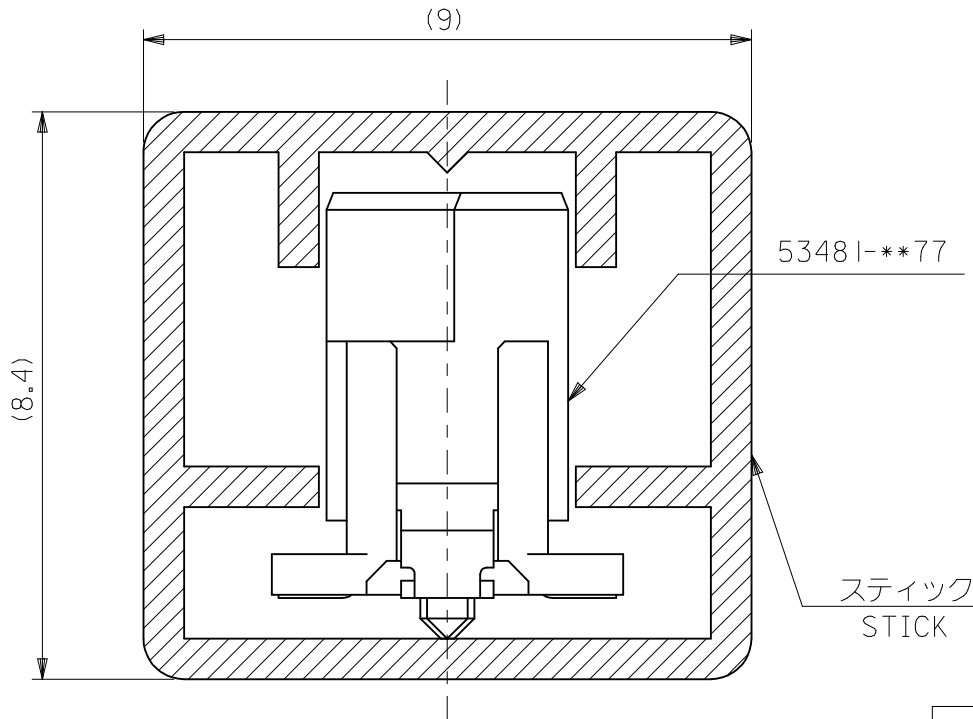
5

4

3

2

1



注)
NOTES.

1. スティック両端はキャップ止め。
BOTH ENDS WITH CAPS.
2. 全長： 600±2
TOTAL LENGTH
3. 肉厚：0.6±0.2
THICKNESS
4. 量産対応済の極数については、
SD-53481-***77を参照下さい。
SEE SD-53481-***77 FOR AVAIRABLE ITEMS.
5. 本製品は SD-53481-***9
の鉛フリー製品です。

6	53481-2479	240
8	↑ -2079	200
8	-1879	180
9	↓ -1679	160
19	-0779	70
42	53481-0279	20
梱包数 QUANTITY	ENG. NUMBER	極数 NO. OF CKT.

材料
MATERIAL

スティック：ポリ塩化ビニル
STICK : P.V.C

REVISED

EC NO: J2017-0575

DRWN:GES 2017/05/17

CHKD:

APPR:MSASAO 2017/06/29

DESCRIPTION

GENERAL TOLERANCES
(UNLESS SPECIFIED)

0.25 UNDER	±
0.25 OVER 0.5 UNDER	±
0.5 OVER 1.0 UNDER	±
1.0 OVER 10 UNDER	±0.2
10 OVER 30 UNDER	±0.25
30 OVER	±0.3
ANGULAR	±3 °

DRAFT WHERE APPLICABLE
MUST REMAIN
WITHIN DIMENSIONS

DIMENSION STYLE
MM ONLY

DRAWN BY	DATE
J. KUGOU	2003/12/11
CHECKED BY	DATE
M. SASAO	2003/12/11
APPROVED BY	DATE
M. SASAO	2003/12/11

MATERIAL NO.

SEE CHART

SIZE
A4

THIS DRAWING CONTAINS INFORMATION THAT IS PROPRIETARY TO MOLEX ELECTRONIC TECHNOLOGIES, LLC AND SHOULD NOT BE USED WITHOUT WRITTEN PERMISSION

SCALE
10:1

DESIGN UNITS
METRIC

THIRD ANGLE
PROJECTION

TITLE	53481-***5 STICK PACKAGING -LEAD FREE-
DOCUMENT NO.	SD-53481-***79
SHEET NO.	1 OF 1

molex

6

5

4

3

2

1