

NOTES:

- MATERIAL:
METAL SHELL: BRASS
HOUSING: POLYAMIDE, GLASS FIBER FILLED, UL94 V-0, COLOR BLACK
INSERT: POLYAMIDE, GLASS FIBER FILLED, UL94 V-0, COLOR BLACK
TERMINAL: PHOSPHOR BRONZE
- PLATING:
TERMINAL:
CONTACT AREA: GOLD(Au), THICKNESS=50 MICROINCH/1.27 MICROMETER
SOLDER TAIL: TIN(Sn), THICKNESS=100 MICROINCH MINIMUM
UNDER PLATE: NICKEL (Ni).
- METAL SHELL:
SOLDER TAIL: TIN(Sn), THICKNESS=100 MICROINCH MINIMUM
UNDER PLATE: NICKEL (Ni), (SOLDERING AVAILABLE)
SURFACE APPEARANCE: BRIGHT.
- RECOMMENDED PCB THICKNESS: 1.60±0.05
- PRODUCT SPECIFICATION REFER TO PS-48025-005
- TEST SUMMARY REFER TO TS-48025-012
- PACKAGING SPECIFICATION REFER TO PK-48025-001
- LEAD FREE AND RoHS COMPLIANT PRODUCT.

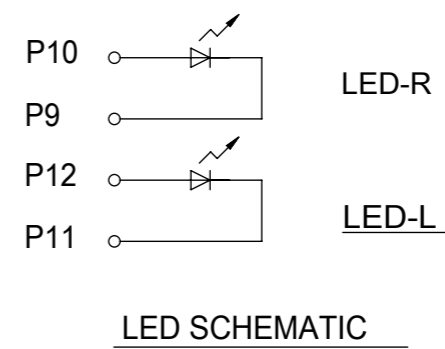
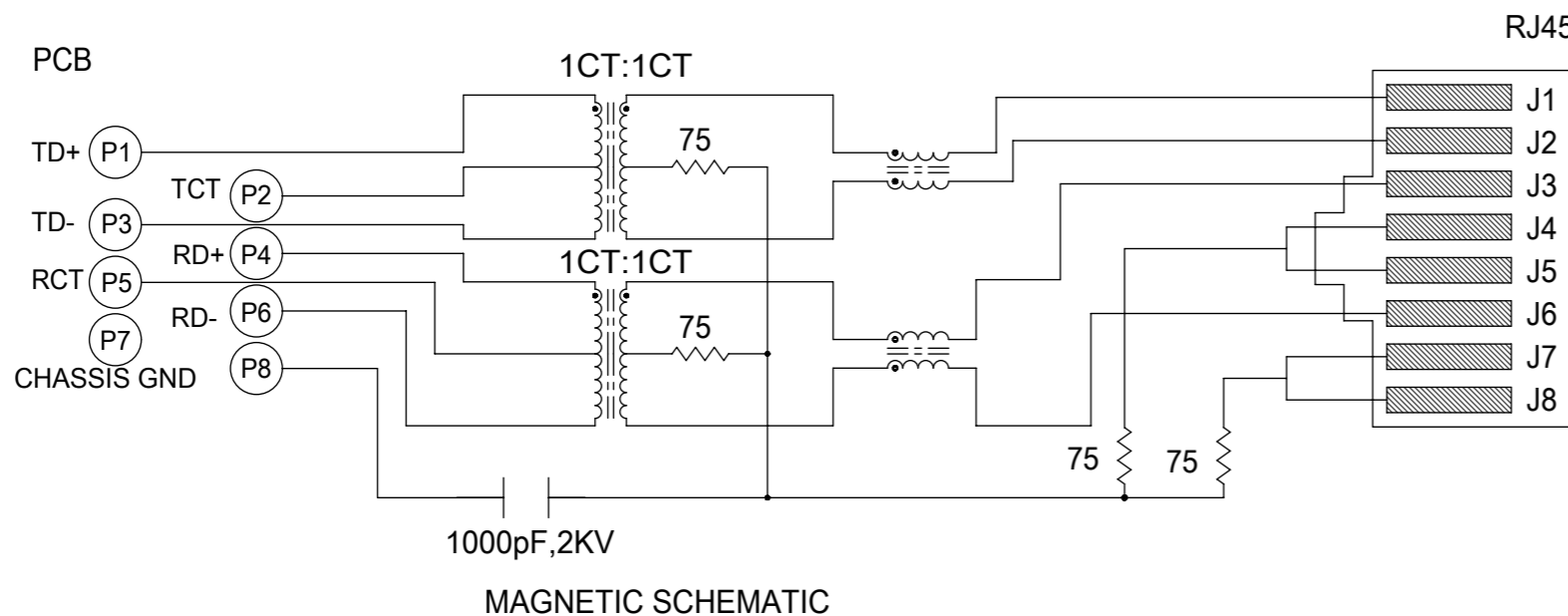
THIS DRAWING CONTAINS INFORMATION THAT IS PROPRIETARY TO MOLEX ELECTRONIC TECHNOLOGIES, LLC AND SHOULD NOT BE USED WITHOUT WRITTEN PERMISSION											
QUALITY SYMBOLS	2017/11/15	2017/12/01	2017/12/01	GENERAL TOLERANCES (UNLESS SPECIFIED)		DIMENSION UNITS	SCALE				
				ANGULAR TOL ± 3.0 °		mm	2:1				
▽A = 0	EC NO: 168908 DRWN: MFAN08 CHK'D: MFAN08 APPR: XQHE	REV	C	4 PLACES	±	DRWN BY	DATE	MODULAR JACK WITH INTEGRATED MAGNETICS WITH LED W/O EMI FINGER			
▽E = 0				3 PLACES	±	RLI09	2012/05/14				
▽F = 0				2 PLACES	± 0.25	CHK'D BY	DATE	PRODUCT CUSTOMER DRAWING			
▽ = 0				1 PLACE	± 0.25	MFAN08	2017/12/01				
▽ = 0				0 PLACES	±	APPR BY	DATE	SERIES	MATERIAL NUMBER	CUSTOMER	
▽ = 0				DRAFT WHERE APPLICABLE MUST REMAIN WITHIN DIMENSIONS		RZHANG	2012/06/22	48025	480251091	GENERAL MARKET	
▽ = 0			DRAWING SIZE	THIRD ANGLE PROJECTION	DOCUMENT NUMBER		DOC TYPE	DOC PART	SHEET NUMBER		
			A3		SD-48025-012		PSD	001	1 OF 2		

MAGNETIC ELECTRICAL SPECIFICATIONS:

- 1.0 TURNS RATIO:(P4-P5-P6):(J3-J6):1CT:1CT
(P3-P2-P1):(J1-J2):1CT:1CT
- 2.0 INDUCTANCE:(P4-P6):350uH MIN. @0.1V,100KHz,8mA DC Bias.
(P3-P1):350uH MIN. @0.1V,100KHz,8mA DC Bias.
- 3.0 LEAKAGE INDUCTANCE:P6-P5-P4(WITH J6 AND J3 SHORT):0.3 MAX.@1MHz.
P3-P2-P1(WITH J2 AND J1 SHORT):0.3 MAX.@1MHz.
- 4.0 INTERWINDING CAPACITANCE:(P6,P5,P4) TO (J6,J3):30pf MAX @1MHz.
(P3,P2,P1) TO (J2,J1):30pf MAX @1MHz.
- 5.0 DC RESISTANCE:(J6-J3)=(J2-J1):1.3 ohms Max.
- 6.0 RETURN LOSS:(P4-P6)(P1-P3)
1MHz TO 30MHz:18dB min.
30MHz TO 80MHz:12dB min.
- NOTE:100 OHMS CONNECTED TO (J2-J1) OR (J3-J6).
- 7.0 HI-POT:(J1,J2) TO (P1,P3):1500 VAC OR 2250 VDC.
(J3,J6) TO (P4,P6):1500 VAC OR 2250 VDC.
- 8.0 INSERTION LOSS:1.1 dB MAX.
100KHz TO 100MHz.
- 9.0 CROSS TALK:1-100 MHz:30 dB MIN.
- 10.0 COMMON TO COMMON MODE REJECTION:1MHz TO 100MHz:35 dB MIN.

LED ELECTRICAL SPECIFICATION

PARAMETER	GREEN (TYP.)	UNITS	TEST CONDITIONS
POWER DISSIPATION	105	mW	
REVERSE VOLTAGE	5	V	
PEAK WAVELENGTH	565	nm	IF=20mA
FORWARD VOLTAGE	2.2 MAX.=2.5	V	IF=20mA



THIS DRAWING CONTAINS INFORMATION THAT IS PROPRIETARY TO MOLEX ELECTRONIC TECHNOLOGIES, LLC AND SHOULD NOT BE USED WITHOUT WRITTEN PERMISSION												
QUALITY SYMBOLS ▽ = 0 ▽ = 0 ▽ = 0 ▼ = 0 ▽ = 0 ⊗ = 0 ■ = 0 ▽ = 0	EC NO: 168908 DRWN: MFAN08 CHK'D: MFAN08 APPR: XQHE	2017/11/15 2017/12/01 2017/12/01	GENERAL TOLERANCES (UNLESS SPECIFIED)		DIMENSION UNITS	SCALE						
			ANGULAR TOL ± 3.0 °		mm	1:1						
			4 PLACES ±	RLI09		DATE		MODULAR JACK WITH INTEGRATED MAGNETICS WITH LED W/O EMI FINGER				
			3 PLACES ±	MFAN08		2012/05/14						
			2 PLACES ± 0.25	RZHANG		DATE		PRODUCT CUSTOMER DRAWING				
1 PLACE ± 0.25	2012/06/22		2017/12/01									
0 PLACES ±	DRAFT WHERE APPLICABLE MUST REMAIN WITHIN DIMENSIONS		DRAWING SIZE	THIRD ANGLE PROJECTION	SERIES	MATERIAL NUMBER	CUSTOMER					
C			A3		48025	480251091	GENERAL MARKET					
					DOCUMENT NUMBER	DOC TYPE	DOC PART	SHEET NUMBER				
					SD-48025-012	PSD	001	2 OF 2				