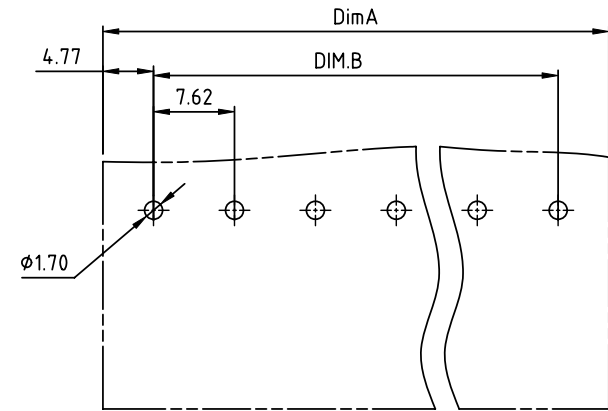
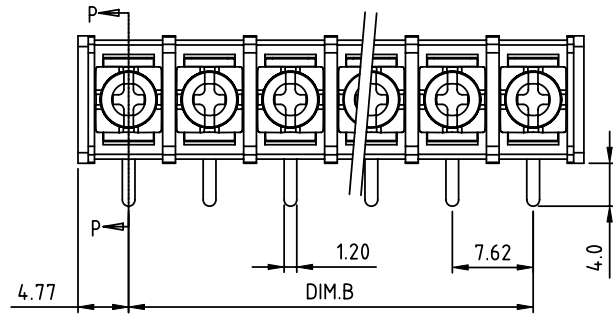
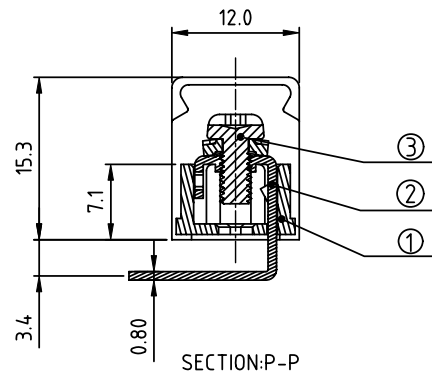
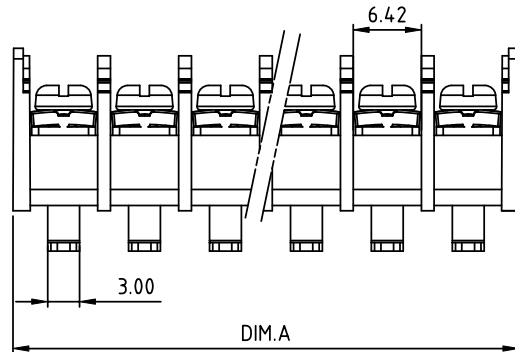


PRODUCT NUMBER	PITCH
YK301xx0x0J0G	7.62 mm



RECOMMENDED P.C.B LAYOUT



MATERIALS ELECTRICAL
RATED VOLTAGE & CURRENT: 300 V, 15 A
WITHSTAND VOLTAGE: AC 2000 V/Min
INSULATION RESISTANCE: 1000 MΩ OR MORE AT DC 500 V
OPERATING TEMPERATURE RANGE: -40 °C ~ +115 °C
SCREW TORQUE VALUE: 5.2 Lb-In.
WIRE RANGE: 14 ~ 22 AWG
1) HOUSING: THERMOPLASTIC, UL 94 V-0 BLACK
2) TERMINAL: BRASS, 0.8t
3) TERMINAL SCREWS: STEEL, M3

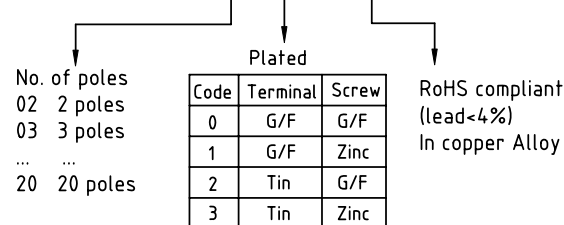
DIMENSION

Dim A	(N-1)×7.62+9.54
Dim B	(N-1)×7.62

N=Number of poles

Poles	Tolerance
2p-4p	±0.20
5p-10p	±0.30
11p-16p	±0.40
17p-20p	±0.50

PART NO.: YK 301xx 0 x 0 J0G



mat'l. code		surface ASME Y14.5	tolerance ASME Y14.5	projection MM	product family TERMINAL BLOCK
ltr	ecn no	dr	date	tolerances unless otherwise specified	title TERMINAL BLOCK
				angles X°±1°	BARRIER TYPE
				dr	scale
				enr	sheet 1 of 1
				chr	size A4
				appd	YK301xx0x0J0G
					type CUSTOMER Drawing
sheet index	revision sheet	A	1		