

■ **Features**

- Single output from 5-6W
- 100-240Vac Universal Input
- Certificates: UL, CE
- Safety standard: IEC60950, IEC60601, IEC61558, IEC60335
- Frequency: 50-60Hz
- Ripple: 80mV
- OVP, OCP, SCP, and Overload protection
- Efficiency Level: VI
- Available Plug types: US, EU



*Product images are for illustrative purposes only and may vary from actual design.

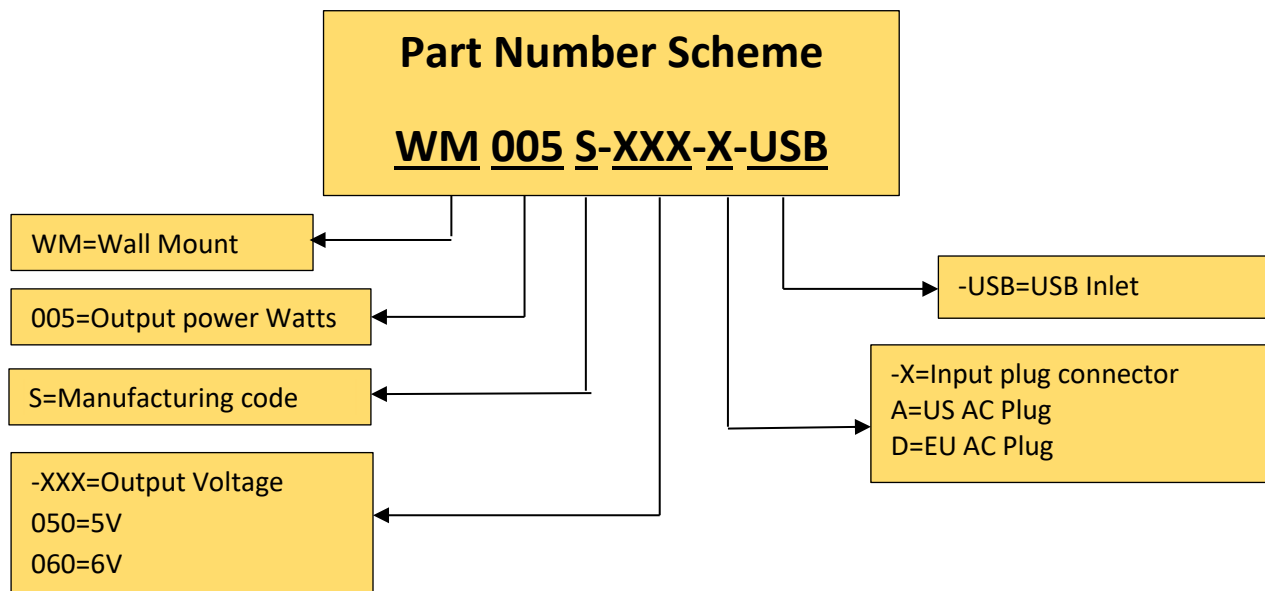
■ **Application**

- Consumer electronics, Telecom and office equipment
- Industrial equipment

■ **Model List**

Custom Designs Available!

Model	Output Voltage	Output Current	Power	Certifications
WM005S-050-X-USB	5V	1A	5W	UL, CE
WM005S-060-X-USB	6V	1A	6W	UL, CE



*Product images are for illustrative purposes only and may vary from actual design.

*Specifications are subject to change without notice. Autec is not responsible for issues arising from errors or omissions.