

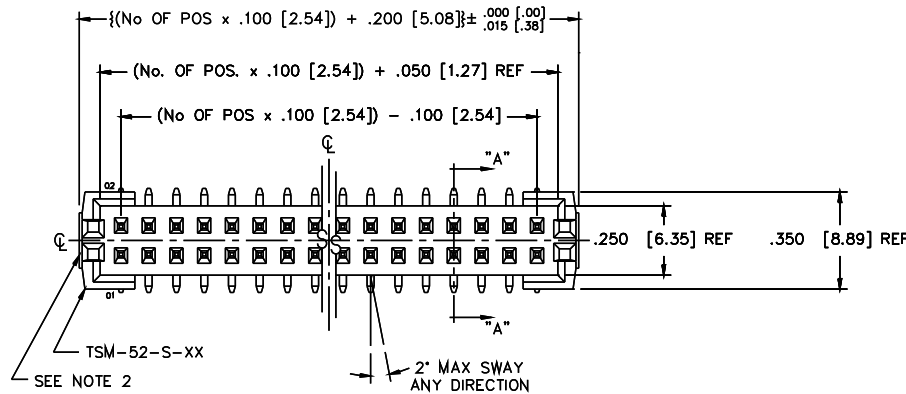
DO NOT SCALE FROM THIS PRINTS

DIMENSIONS ARE IN INCHES		TOLERANCES ARE	
ONE PLACE DECIMALS ±.1[2.5]	THREE PLACE DECIMALS ±.005[.13]	ANGLES ± 2°	
TWO PLACE DECIMALS ±.01[.3]	FOUR PLACE DECIMALS ±.0020[.051]		

TITLE: .100" C.L. SHROUDED TERMINAL ASSEMBLY

DWG NO: TSSH-1XX-01-XX-XX-XX-XX  
SHEET 1 OF 2

FIG 1



TSSH-1XX-01-XX-XX-XX-XX

NO. OF POSITIONS  
-05 THRU -36 (PER ROW)  
LEAD STYLE  
-01

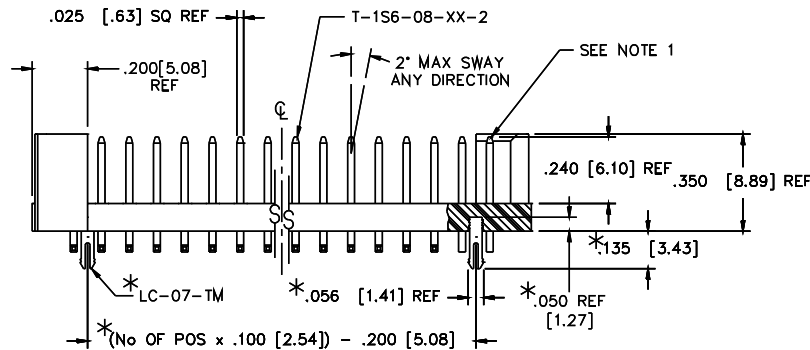
- PLATING
- S: 30μ" SELECTIVE GOLD IN CONTACT AREA, MATTE TIN ON TAIL
  - F: 3μ" FLASH SELECTIVE GOLD IN CONTACT AREA, MATTE TIN ON TAIL
  - L: 10μ" LIGHT SELECTIVE GOLD IN CONTACT AREA, MATTE TIN ON TAIL
  - T: MATTE TIN CONTACT AND TAIL
  - G: 10μ" LIGHT GOLD IN CONTACT AREA, 3μ" ON TAIL
  - H: 30μ" HEAVY GOLD IN CONTACT AREA, 3μ" ON TAIL
  - TM: MATTE TIN CONTACT AND TAIL
  - SM: 30μ" SELECTIVE GOLD IN CONTACT AREA, MATTE TIN ON TAIL
  - LM: 10μ" LIGHT SELECTIVE GOLD IN CONTACT AREA, MATTE TIN ON TAIL
  - FM: 3μ" FLASH SELECTIVE GOLD IN CONTACT AREA, MATTE TIN ON TAIL
  - STL: 30μ" SELECTIVE GOLD IN CONTACT AREA, TIN/LEAD (90%/10 +/ -5%) TAIL

- OPTION 2
- LC: LOCKING CLIP (SEE FIG. 1)(SEE NOTE 5)(DV ONLY)
  - A: ALIGNMENT PIN (SEE FIG. 2, SHEET 2) (DV ONLY)
  - P: PICK & PLACE PAD USE PPP-06 (SEE FIG. 4) (DV ONLY)
  - \*-M: METAL PICK & PLACE PAD USE LMP-01 (SEE FIG. 5) (DV ONLY)
  - TR: TAPE & REEL (-05 THRU -28 POS) (DV ONLY)
- OPTION 1  
POLARIZED POSITIONS  
SPECIFY OMITTED PINS

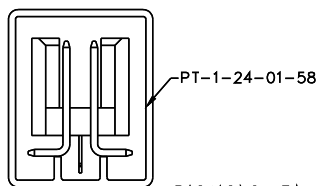
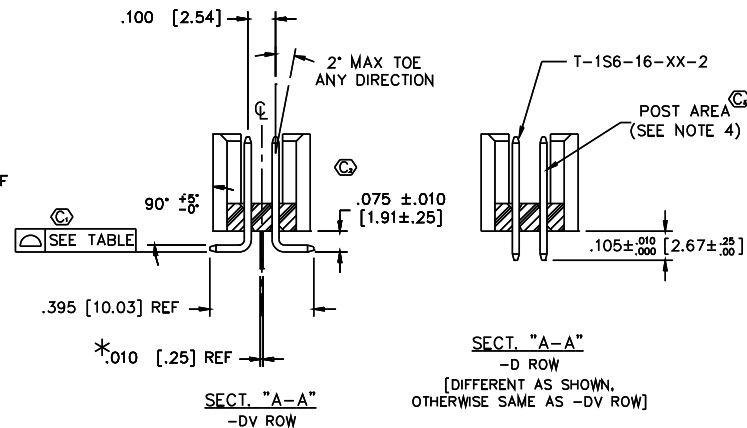
ROW SPECIFICATION  
-DV: DOUBLE VERTICAL  
-D: THROUGH HOLE

\* FOR EXISTING CUSTOMERS ONLY

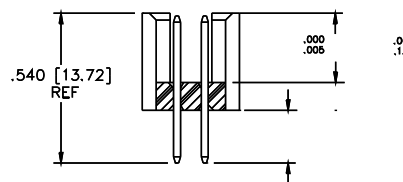
COPLANARITY	
POSITION	
05-10	.004
11-24	.006
25-36	.008



(\* ) DIMENSIONS APPLY ONLY WHEN USING THE -LC OPTION.



PACKAGING VIEW  
(SEE NOTE 2)



IN-PROCESS  
(DV ONLY)

- NOTE:
1. MAXIMUM CUT FLASH ALLOWED IS .010" IN THIS AREA ONLY.
  2. PACKAGE IN PT-1-24-01-58 TUBE WITH TWO TP-13 PLUGS PER TUBE.
  3. Ⓞ REPRESENTS A CRITICAL DIMENSION.
  4. FILL -T PLATED PINS THE SAME AS SELECTIVE TO REDUCE BANDOLIER MARKS IN THE POST AREA.
  5. DUE TO THE HIGH AMOUNT OF INSERTION FORCE NEEDED, THE -LC OPTION IS NOT COMPATIBLE WITH AUTO PLACEMENT. SAMTEC RECOMMENDS MANUAL PLACEMENT FOR ALL ASSEMBLIES WITH THE -LC OPTION.
  6. INSULATOR MATERIAL: BLACK, LCP, UL 94 VO

**PROPRIETARY NOTE**  
THIS DOCUMENT CONTAINS INFORMATION CONFIDENTIAL AND PROPRIETARY TO SAMTEC INC. AND SHALL NOT BE REPRODUCED OR TRANSMITTED IN ANY FORM OR BY ANY MEANS, ELECTRONIC OR MECHANICAL, INCLUDING PHOTOCOPYING, RECORDING, OR BY ANY INFORMATION STORAGE AND RETRIEVAL SYSTEM, WITHOUT THE EXPRESS WRITTEN CONSENT OF SAMTEC INC.

**samtec**

520 PARK EAST BLVD., NEW ALBANY, INDIANA 47150  
PHONE (812) 944-6733 P.O. BOX 1147  
CODE 55322

MADE BY: BRATCHER 10-30-97

TSSH-1XX-01-XX-XX-XX-XX  
SHEET 1 OF 2