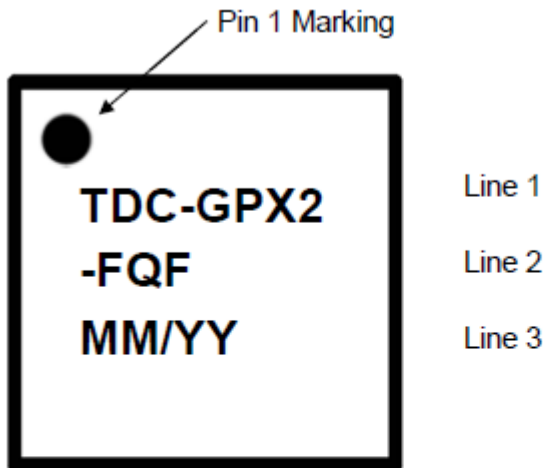


SciSense Change Notification (CN)			
Originator:	Norbert Breyer, Marketing	CN No:	SC-001226-CN
Product(s) affected:	TDC-GPX2 QFN64, 502050005		
Change date:	Feb. 2022		
TYPE OF CHANGE			
<input checked="" type="checkbox"/> Material <input type="checkbox"/> Product <input type="checkbox"/> Process <input type="checkbox"/> Equipment <input type="checkbox"/> Specification <input type="checkbox"/> Other			
DESCRIPTION AND JUSTIFICATION OF CHANGE NOTE (CN)			
Marking changed versus previous edition of PCN.  With the intention to improve the availability of this high-demand product and to cope with the supply situation, we set up a new assembly based on standard lead frame material. This urgent measure will help to overcome short term supply issues and will improve the standard lead time.			
Material to be changed	Before Change		After Change
phy. Dimension A (over all height)	Min 0,80	Nom 0,85	Max 0,90
BOM			
Lead Frame Type:	Copper(Ag Ring) EFTEC		Cu-AG EFTEC64T
Epoxy	8600		8200TI
Bond Wire	0,8 mil AuPdCu		0,8 mil AuPdCu
Mold Compound	G770HCD		G770HCD
SUPPORTING DATA			
Package dimensions: Center pad side length E2 = 5.40mm (former 6.00mm)			

SYMBOL	Package Dimension					
	Millimeter			Inches		
	MIN.	NOM.	MAX.	MIN.	NOM.	MAX.
A	0.80	0.85	0.90	0.031	0.033	0.035
A1	-	-	0.05	-	-	0.002
A3	0.20 REF			0.008 REF		
b	0.20	0.25	0.30	0.008	0.010	0.012
D	8.90	9.00	9.10	0.350	0.354	0.358
D2	5.30	5.40	5.50	0.209	0.213	0.217
E	8.90	9.00	9.10	0.350	0.354	0.358
E2	5.30	5.40	5.50	0.209	0.213	0.217
e	0.50 BSC			0.020 BSC		
K	1.41 REF			0.056 REF		
L	0.30	0.40	0.50	0.012	0.016	0.020



Line 1: Fixed text "TDC-GPX2"  
 Line 2: Fixed text "-FQF"  
 Line 3: <MM>/<YY> Assembly date code with MM = Month, YY = Year  
 (Example: DEC. 2020 = 12/20)

**CUSTOMER INFO & ACKNOWLEDGEMENT**

Please acknowledge receipt of this CN by replying to [customersupport@sciosense.com](mailto:customersupport@sciosense.com)  
 ScioSense is notifying you of this minor change and no further action is necessary from you.

Please forward any queries regarding this CN to [customersupport@sciosense.com](mailto:customersupport@sciosense.com) keeping your account manager in copy.