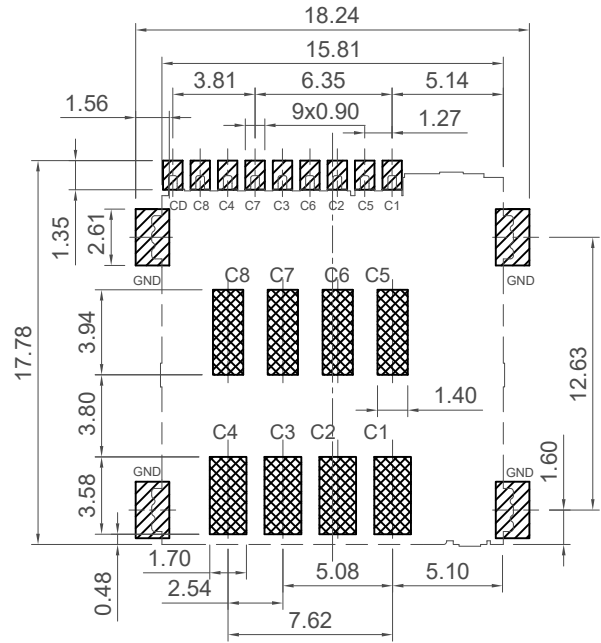
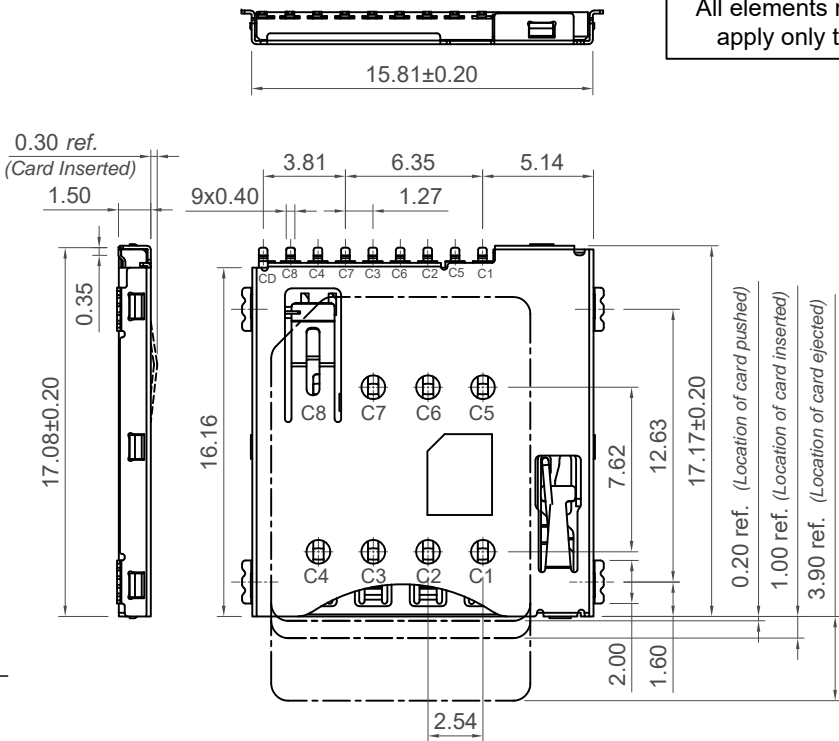
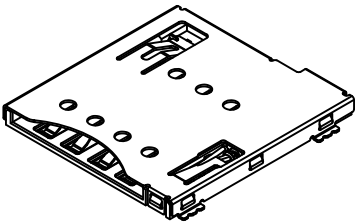


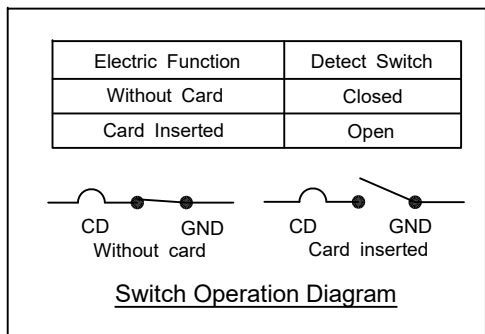
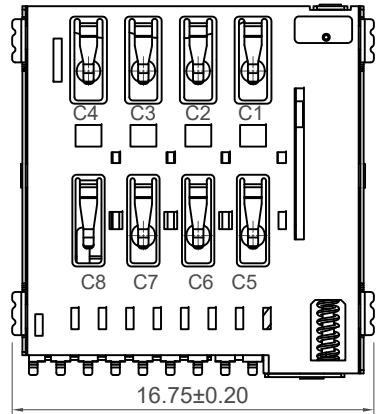
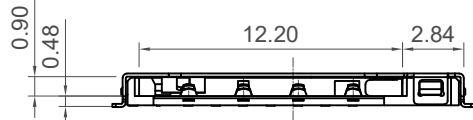
H
G
F
E
D
C
B
A

All elements marked as C4 and C8 apply only to 8 contact version.



Recommended PCB Layout
General Tolerance ±0.05

Locating peg holes only applicable to locating peg version
 ▨ Solder Area ▩ Keep Out Area □ Component Outline



Specification:

Material:
 Plastic Housing&Slider:
 Thermoplastic, UL94V-0, Black
 Contact Terminal & Card Detection Switch :
 Phosphor Bronze
 Shell, Cam Pin: Stainless Steel
 Coil Spring: SWP (steel)

Plating:
 Contact Terminal:
 Contact Area: 3μ" Gold
 Solder area: Gold Flash
 Underplating: Ni overall 50μ" min.
 Shell: Ni overall, 30μ" min.
 Solder area: Gold Flash

Electrical:
 Voltage Rating: 50V max.
 Current Rating: 1A max.
 Dielectric Withstanding: 500V AC
 Insulation Resistance: 1000 MΩ min.
 Contact Resistance: 100 mΩ max. (signal)
 300 mΩ max. (switch)

Mechanical:
 Duration: 1500 cycles
 Operating Temperature: -40°C to +85°C

Ordering Grid

SIM7100 - **X** - **1** - **15** - **00** - **A** Request Samples and Quotation

No. of Contacts: 6 or 8
 Switch: 1 = With (normally closed)
 Profile Height: 15 = 1.50mm

Packing Options: A = Tape & Reel (1,000 per reel)
 Locating Peg: 00 = Without

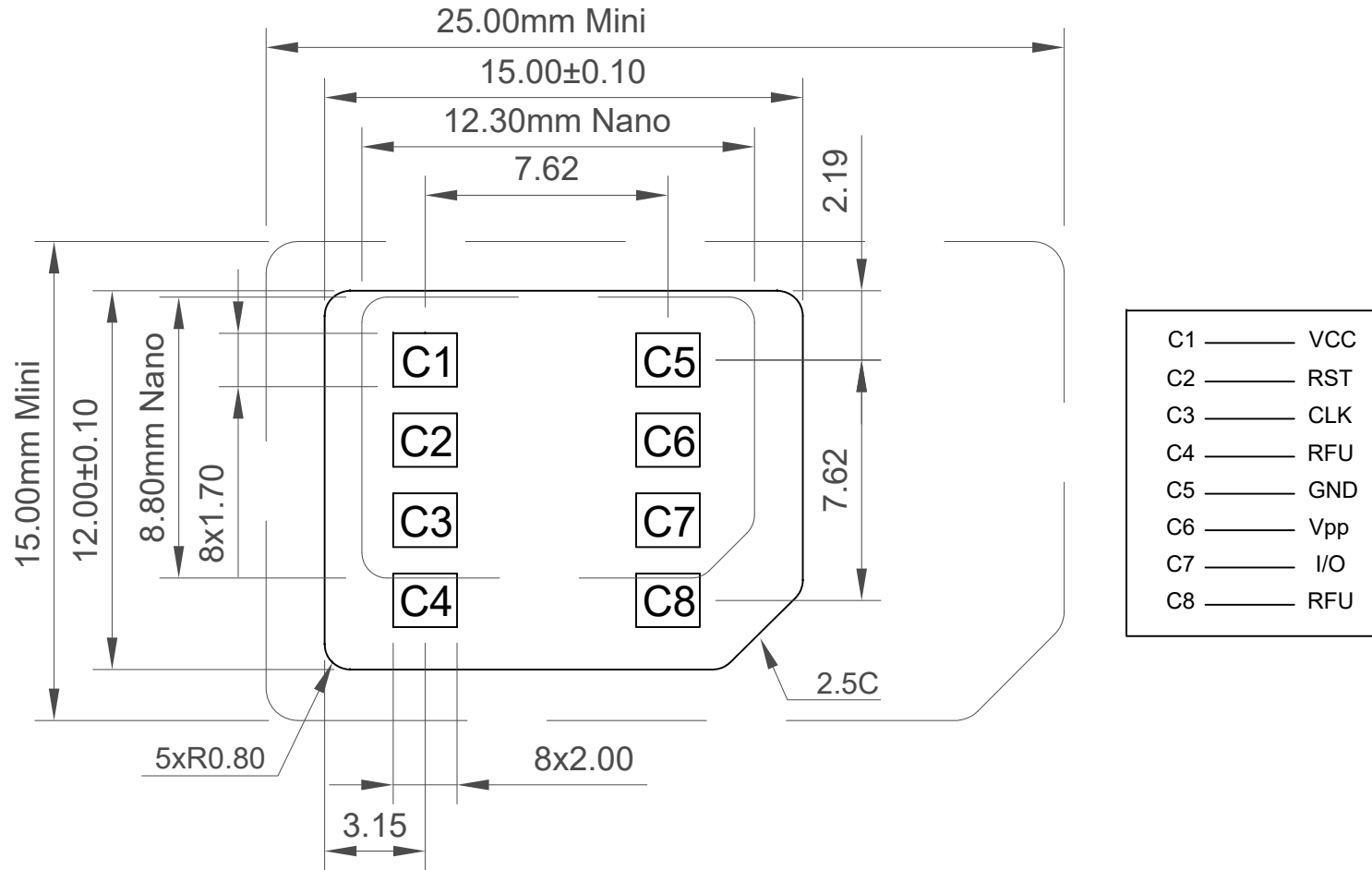
Part Number		Product Description	
SIM7100		Micro SIM Card Connector - Push-Push Type	
Drawing Date		6 or 8 Pin, SMT, 1.50mm Profile	
12th September 2014			
By	CC	Tolerances (Except as Noted)	Units:
Detail	SIM7100 C PCN	Length X. ± 0.35 X.X ± 0.25 X.XX ± 0.15 X.XXX ± 0.10	Metric (mm)
Revision	C2	Angle X° ± 5° X.X° ± 4° X.XX° ± 3° X.XXX° ± 2°	RoHS COMPLIANT 2011/65/UEU Deca-SIDE
Date	15/06/21	3rd Angle Projection	This drawing is confidential and copyright of Global Connector Technology, Ltd (GCT). This drawing must not be copied or disclosed without written consent. E & OE

GCT
www.gct.co

Not to Scale Drawn By AJO Sheet No. 1/3

Micro SIM Reference

thickness = 0.76 ± 0.08



C1	VCC
C2	RST
C3	CLK
C4	RFU
C5	GND
C6	Vpp
C7	I/O
C8	RFU

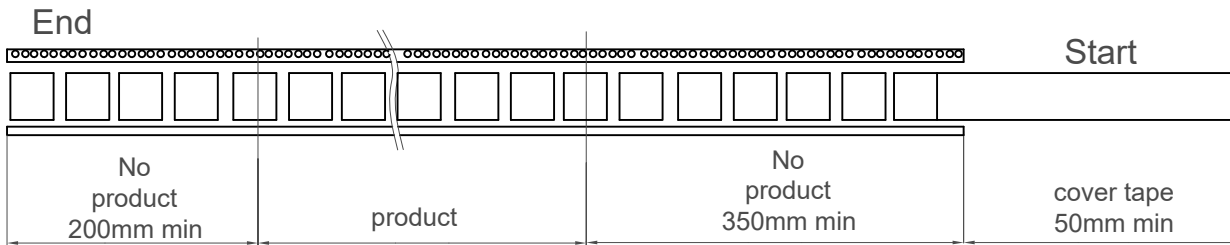
Part Number		Product Description	
SIM7100		Micro SIM Card Connector - Push-Push Type	
Drawing Date		6 or 8 Pin, SMT, 1.50mm Profile	
12th September 2014			
By	CC	Tolerances (Except as Noted)	Units:
Detail	SIM7100 C PCN	Length X. ± 0.35 X.X ± 0.25 X.XX ± 0.15 X.XXX ± 0.10	Metric (mm)
Revision	C2	Angle X° ± 5° X.X° ± 4° X.XX° ± 3° X.XXX° ± 2°	
Date	15/06/21		



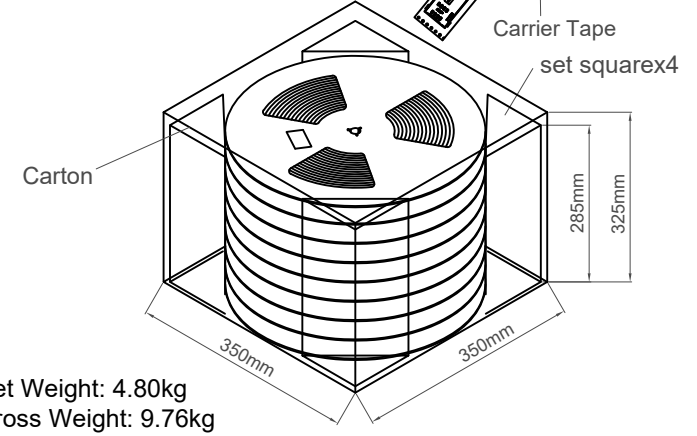
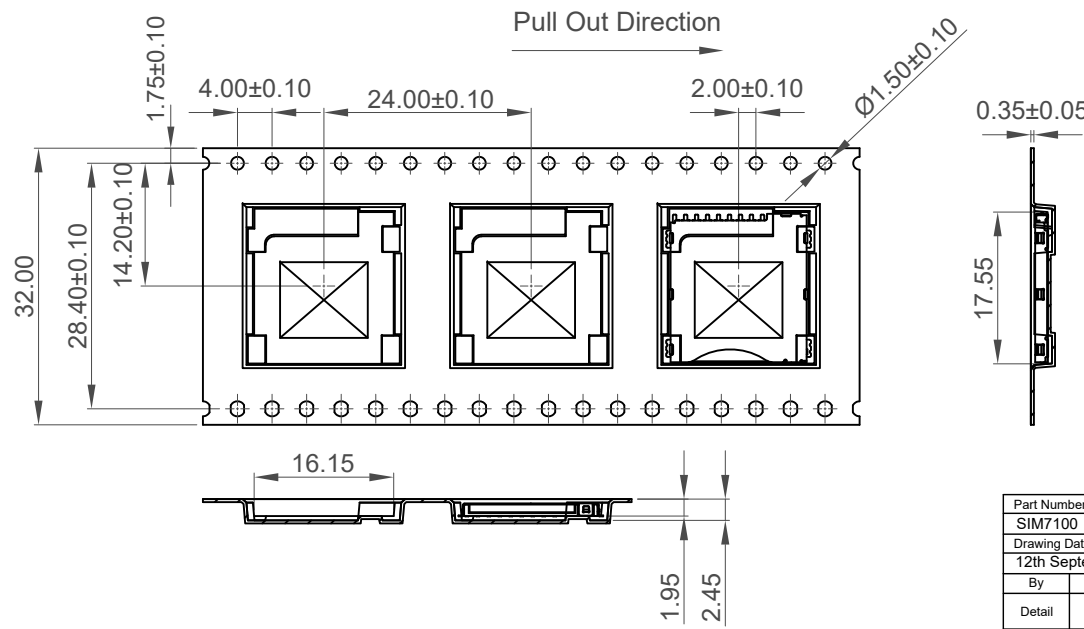
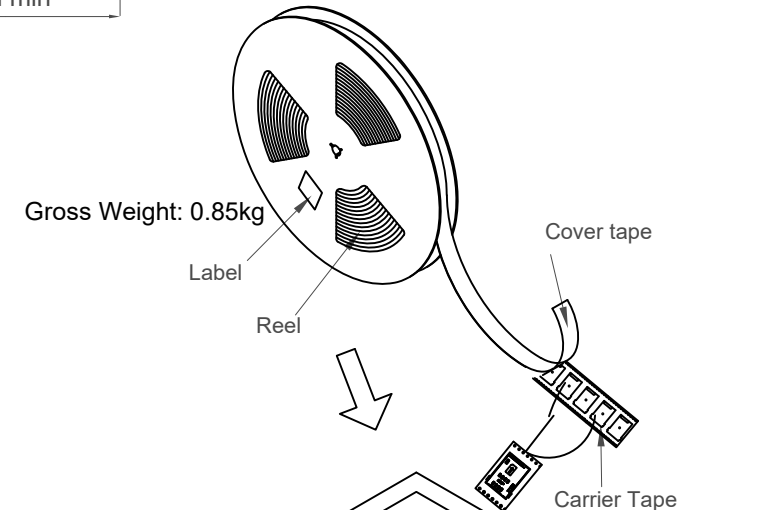
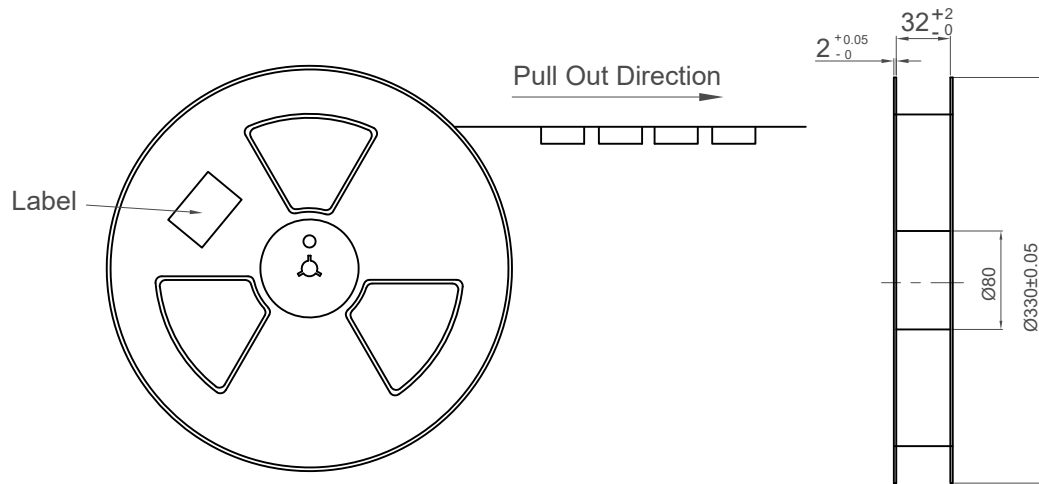
This drawing is confidential and copyright of Global Connector Technology, Ltd (GCT). This drawing must not be copied or disclosed without written consent. E & OE



Not to Scale	Drawn By AJO	Sheet No. 2/3
--------------	-----------------	------------------



Products P/N	PCS/Reel	Reels/Carton	PCS/Carton
SIM7100	1000	8	8000



Part Number		Product Description	
SIM7100		Micro SIM Card Connector - Push-Push Type	
Drawing Date		6 or 8 Pin, SMT, 1.50mm Profile	
12th September 2014			
By	CC	Tolerances (Except as Noted)	Units:
Detail	SIM7100 C PCN	Length	Metric (mm)
Revision	C2	Angle	
Date	15/06/21		



This drawing is confidential and copyright of Global Connector Technology, Ltd (GCT). This drawing must not be copied or disclosed without written consent. E & OE



Not to Scale	Drawn By AJO	Sheet No. 3/3
--------------	--------------	---------------