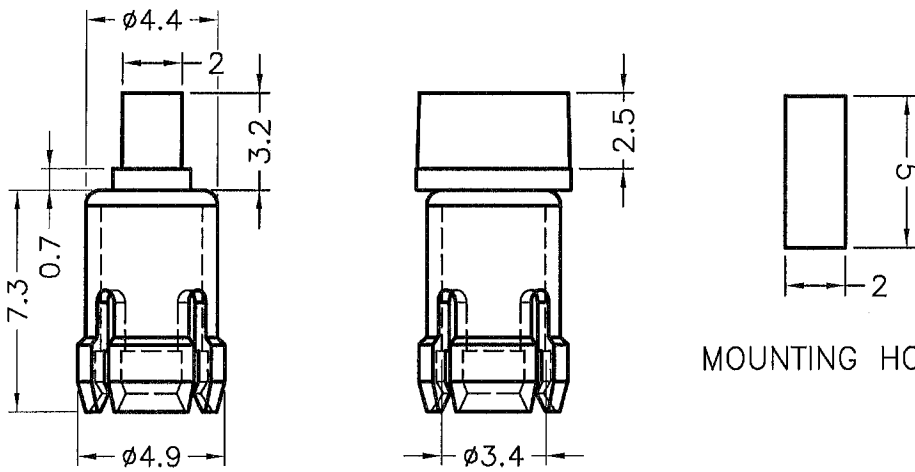




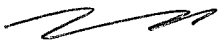
DIM.	TOL
5mm DOWN	±0.2
5~20mm	±0.3
20~40mm	±0.4
40~60mm	±0.5
60~100mm	±0.8
100mm UP	±1.0

REVISIONS			
REV	DESCRIPTION	DATE	BY



MOUNTING HOLE

CHASSIS $\phi 4.4^{+0.1}_{-0}$
 THICKNESS 1.57~3.2mm

 康揚企業股份有限公司 KANG YANG HARDWARE ENTERPRISE CO., LTD. 康揚塑膠(東莞)有限公司 KANG YANG PLASTIC(DONG GUAN) CO., LTD. ISO 9001 ISO 14001 QC 080000 康哲電腦配件(吳江)有限公司 KANG CHE COMPUTER COMPONENTS(WUJIANG) CO., LTD.				TITLE	LENS CAP	SPEC. DWG.	
				MATERIAL	PC UL94V-2	DATE	2012.04.02
				FINISH		DRAWN	T.C
				COLOR	CLEAR	CHECK	
PART NUMBER	LC3-7	DRAWING NUMBER	LC3-7	UNLESS OTHERWISE SPECIFIED TOLERANCE	SEE ABOVE	APPROVED	
SIZE	A4	SCALE	4:1	UNIT	mm	REV	A