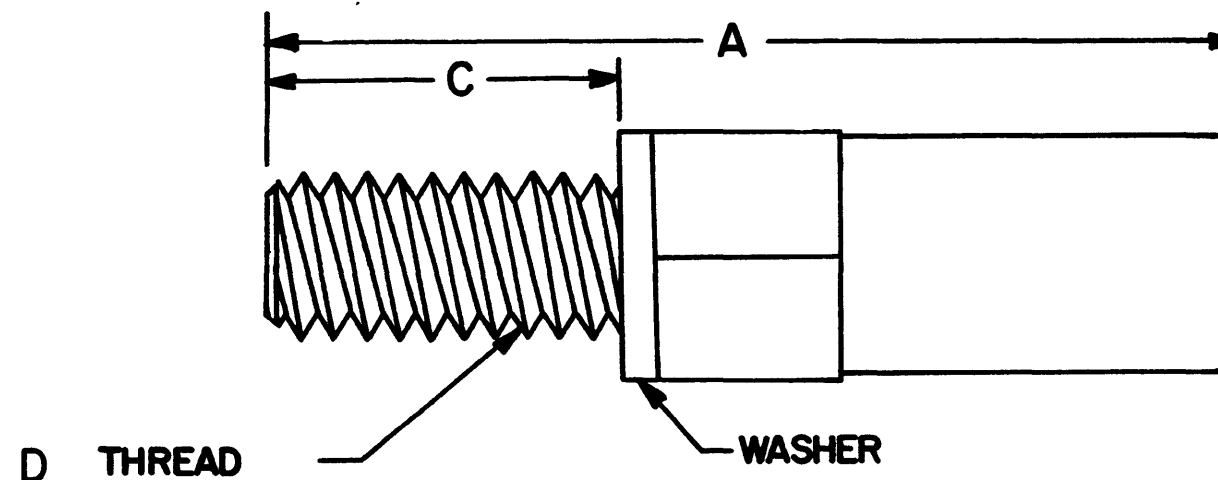
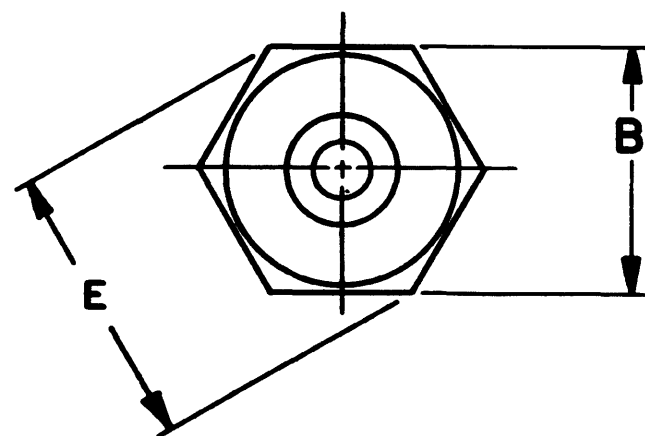


GTE-XX-XX

REVISIONS			
SYM	DESCRIPTION	DATE	APPROVAL
N/C	NEW RELEASE PER E.O. 43146	2-3-67	
A	REVISION PER E.O. 45520	9-26-67	<i>D.A.B. 9-26-67</i>
B	REVISION PER E.O. 47804	10-23-67	<i>JDM 10-23-67</i>
C	REV (4) PER E.O. 48039	12-27-67	<i>D.A.B.</i>
D	REV PER E.O. 51586	5-28-68	<i>D.A.B.</i>
E	REVISION PER E.O. 54691	11-21-68	<i>D.A.B. 11-21-68</i>
F	REVISED PER E.O. 64611	7-17-70	<i>D.A.B.</i>

PART NUMBER	A ±.020	B ±.020	C ±.020	D	WT. IN LBS. APPROX.	"E" REF
GTE-22-01	1.108	.187	.366	8-32	.0050	.216
GTE-22-02	1.108	.187	.366	6-32	.0050	.216
GTE-20-01	1.015	.187	.366	8-32	.0056	.216
GTE-16-01	1.043	.250	.366	8-32	.0075	.289
GTE-12-01	1.112	.312	.366	8-32	.0117	.360
GTE-08-01	1.317	.375	.366	8-32	.0162	.433




4. FOR CONTACT DATA SEE ENVELOPE DRAWING 61800.

3. ASSY WTS. SHOWN INCLUDE 1 CONTACT.

2. GTE-**-**
 VARIABLES
 DENOTES CONTACT SIZE

1. SEE "GENERAL DESCRIPTION" FOR ELECTRICAL AND MATERIAL SPECIFICATION.

NOTES:

SIGNATURE & DATE		GROUNDING JUNCTION ENVIRONMENTAL SIZE 22,20,16,12 & 8 ENVELOPE	NEXT ASSY	USED ON
DR	D. GOLENSKI 2-1-67		The Deutch Company ELECTRONIC COMPONENTS DIVISION Municipal Airport Banning, California	
CHK	<i>Murray 2-24-67</i>		 B GTE-XX-XX DWG SIZE CODE 11130 SHEET OF	
PE	<i>J.D. Howell</i>			
APPD				
SCALE	NONE WT			