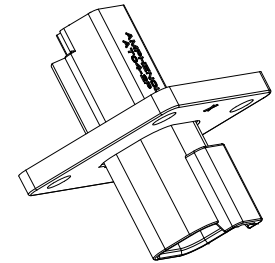
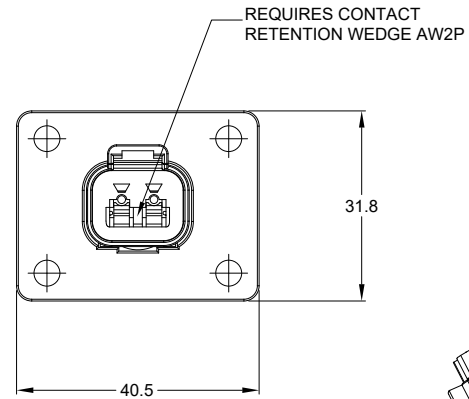
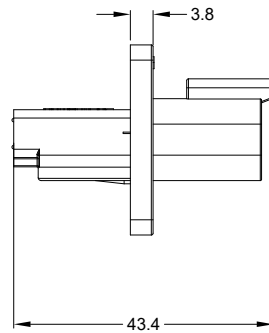
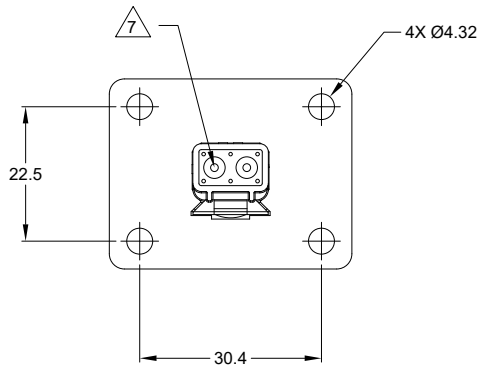
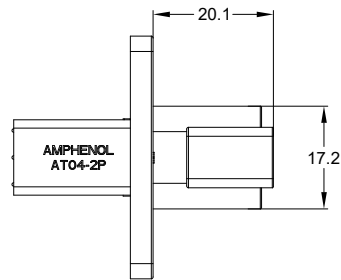


REVISIONS					
REV	ECO	DESCRIPTION	DATE	BY	APPR
A1	--	RELEASE NUMBER	30/NOV/18	ROOKIE	TOMMY
A2	--	FIXED TYPO: 30.35 WAS 33.35 (SHT 2)	9/NOV/20	JHEAD	DH



NOTES: UNLESS OTHERWISE SPECIFIED

- COLOR: GRAY
- MATERIAL:  
HOUSING: THERMOPLASTIC  
SEAL: SILICONE RUBBER
- MODIFICATIONS: FLANGE
- SPECIFICATIONS:
  - CURRENT RATING: 13 AMPS
  - OPERATING TEMPERATURE: -55°C TO +125°C.
  - DIELECTRIC WITHSTANDING VOLTAGE: LESS THAN 2 MILLIAMPS CURRENT LEAKAGE @ 1500 VOLTS AC.
  - INSULATION RESISTANCE: 1000 MEGOHMS MIN @ 25°C.
  - MOISTURE RESISTANCE: IP67 ( MATED CONDITION )
  - MATING CYCLE DURABILITY: 100 CYCLES
  - RoHS COMPLIANT
- MATING PART: AT06-2S\* PLUG.  
(\* = MODIFICATIONS AND COLORS )
- ALL DIMENSIONS ARE FOR REFERENCE USE ONLY.

CONTACT SIZE AND REAR SEAL WIRE RANGE:

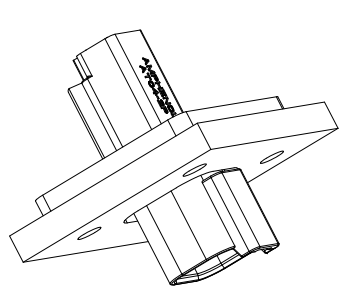
CONTACT SIZE	MIN. INSUL O.D.	MAX. INSUL O.D.	TYPICAL WIRE RANGE
16	2.24 mm (.088 in)	3.68 mm (.145 in)	14 - 20 AWG

TITLE: 2P RECEPTACLE, FLANGE MOUNT, GRAY  
DWG NO.: AT04-2P-L012  
REV: A2  
SH: 1  
OF: 2

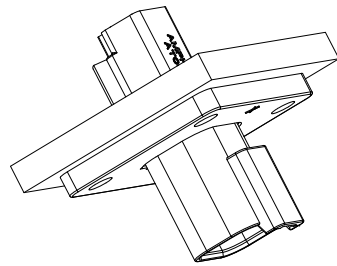
AT04-2P-L012		DT04-2P-L012		DESCRIPTION		ITEM
PART NUMBER		DESCRIPTION				
QUANTITY		MATERIALS LIST				
UNLESS OTHERWISE SPECIFIED: 1) All dimensions are in metric(mm). 2) Tolerances are as follows: 1 PL DEC ±0.30   Fractions ±1/64 2 PL DEC ±0.15   Angles ±1° 3 PL DEC ±0.08 3) Note reference =		SIGNATURES		DATE		 Sine Systems - www.amphenol-sine.com 44724 Morley Drive Clinton Township, MI 48036 2P RECEPTACLE, FLANGE MOUNT, GRAY
DRAWN: ROOKIE		30/NOV/18				
CHECKED: ORION		30/NOV/18				
ENGINEER:						
APPROVAL: TOMMY		30/NOV/18				SIZE: B C- DWG NO: AT04-2P-L012 REVISION: A2 SCALE: NONE SHEET 1 OF 2
CUSTOMER:						
MATERIAL SPECIFICATIONS:						
PROCESS SPECIFICATIONS:						
NEXT ASSY:						

REVISIONS					
REV	ECO	DESCRIPTION	DATE	BY	APPR
A1	--	RELEASE NUMBER	30/NOV/18	ROOKIE	TOMMY
A2	--	FIXED TYPO: 30.35 WAS 33.35 (SHT 2)	9/NOV/20	JHEAD	DH

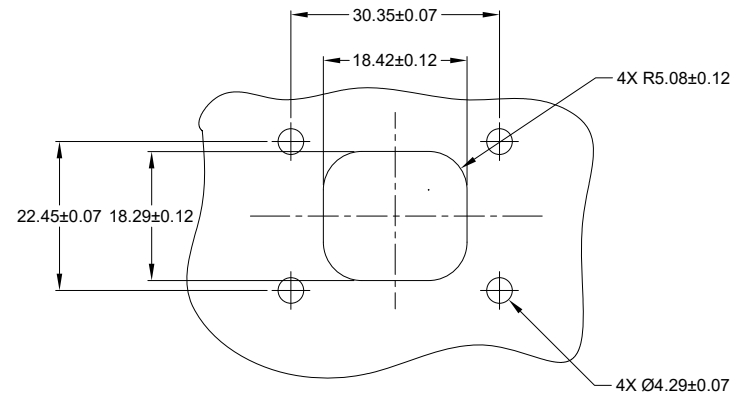
FOR REFERENCE ONLY



FORONT MOUNT



REAR MOUNT



RECOMMENDED CUTOUT  
FRONT AND REAR MOUNT

AT04-2P-L012		DESCRIPTION		ITEM
PART NUMBER		DESCRIPTION		ITEM
<b>QUANTITY MATERIALS LIST</b>				
UNLESS OTHERWISE SPECIFIED				
1) All dimensions are in metric(mm).				
2) Tolerances are as follows:				
1 PL DEC ±0.30 Fractions ±1/64				
2 PL DEC ±0.15 Angles ±1°				
3) Note reference =				
MATERIAL SPECIFICATIONS:		SIGNATURES		DATE
PROCESS SPECIFICATIONS:		DRAWN: ROOKIE		30/NOV/18
NEXT ASSY:		CHECKED: ORION		30/NOV/18
		ENGINEER:		
		APPROVAL: TOMMY		30/NOV/18
		CUSTOMER:		
		THIS DRAWING IS SUPPLIED FOR INFORMATION ONLY. DESIGN FEATURES, SPECIFICATIONS AND PERFORMANCE DATA SHOWN HEREON ARE THE PROPERTY OF THE AMPHENOL CORPORATION. NO RIGHTS OF REPRODUCTION ARE IMPLIED. ALL DIMENSIONS ARE SUBJECT TO NORMAL MANUFACTURING VARIATIONS.		
		Sine Systems - www.amphenol-sine.com 44724 Morley Drive Clinton Township, MI 48036		
		2P RECEPTACLE, FLANGE MOUNT, GRAY		
		SIZE	TYPE	DWG NO:
		B	C-	AT04-2P-L012
		SCALE	NONE	REVISION
				A2
		SHEET 2 OF 2		

TITLE: 2P RECEPTACLE, FLANGE MOUNT, GRAY  
 DWG NO: AT04-2P-L012  
 REV: A2  
 SH: 2  
 OF: 2