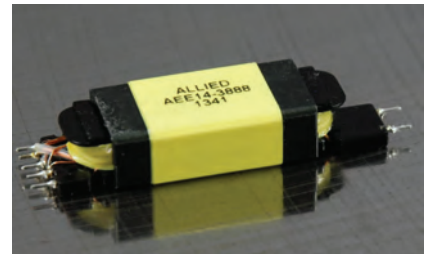


EE14 Transformer

AEE14-3888-A



- Meets UL Class B 130°C UL File number E349541
- Power rating 20 watts

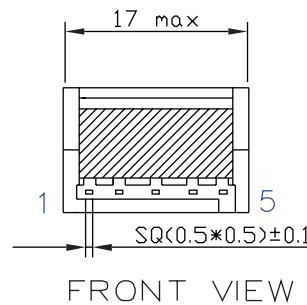
Specifications @25°C				
S - F	Inductance F=75KHz,0.1Vrms	Leakage Inductance F=75KHz, 0.1Vrms, (short 4,5,6,8 PIN)	DCR 20°C (Max)	Turns Ratio
3 - 1	600uH ±10%	7.5uH Max	1.5 Ω	36Ts
4 - 5			320 mΩ	6Ts

Secondary Specifications @25°C				
S - F	Inductance F= KHz, Vrms	Leakage Inductance F= KHz, Vrms, (short)	DCR 20°C (Max)	Turns Ratio
6 - 8			220 mΩ	14Ts

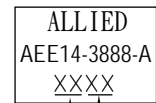
Specifications @25°C					
Location / Description	PRI-PRI	PRI-SEC	SEC-CORE	PRI-CORE	CORE-CORE
Hi-Pot (50Hz/60Hz)		1000Vac, 5mA, 2 sec	500Vac 5mA, 2 sec	500 Vac 5mA, 2 sec	
Insulation Resistance		500Vdc, 100 mΩ min	500Vdc 100 mΩ min	500Vdc 100 mΩ min	

All specifications subject to change without notice.

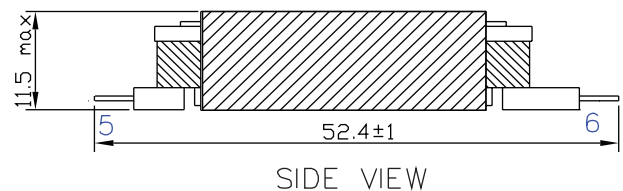
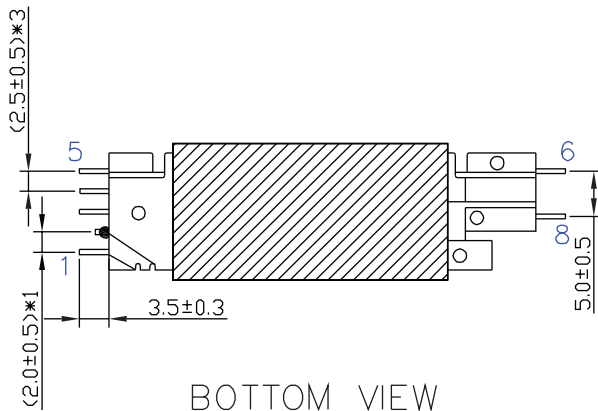
MECHANICAL



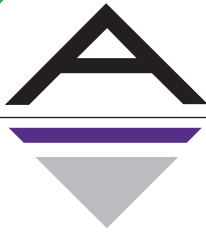
MARKING(black):



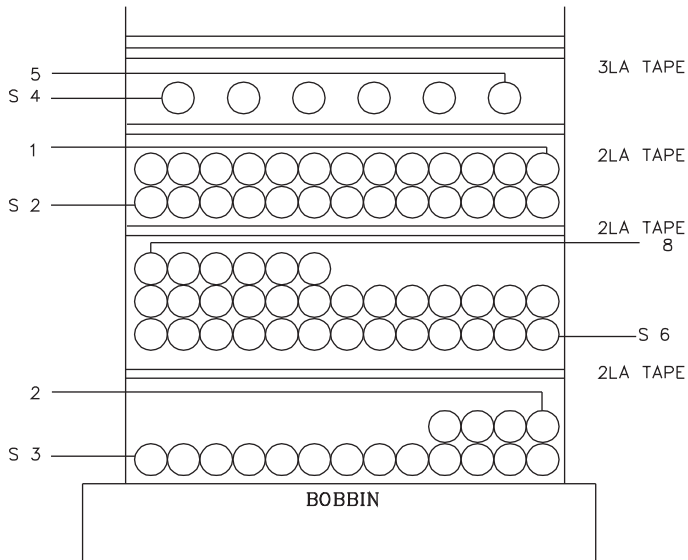
WEEK
YEAR



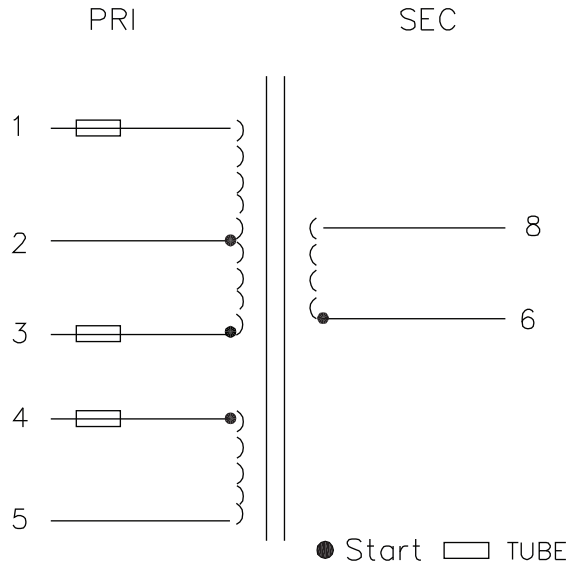
NOTE: 1. PIN7 NO, PIN2 CUT OFF ²/₃.
2. CORE TAPE 3Ts.



SCHEMATIC



CONSTRUCTION



WINDING SUMMARY

WINDING ORDER	S - F	WIRE SIZE	TURN	MARGIN TAPE	INSULATION TAPE	REMARK
#1	N1	3 - 2	∅0.22(2UEW)	15Ts	-	2 LAYERS 1 WIRE
#2	N2	6 - 8	∅0.35(STW-B)	14Ts	-	2 LAYERS 1 WIRE
#3	N3	2 - 1	∅0.22(2UEW)	21Ts	-	2 LAYERS 1 WIRE
#4	N4	4 - 5	∅0.2(2UEW)	6Ts	-	3 LAYERS 1 WIRE

NOTE: PIN 1, 3, 4 WITH TFL TUBE.