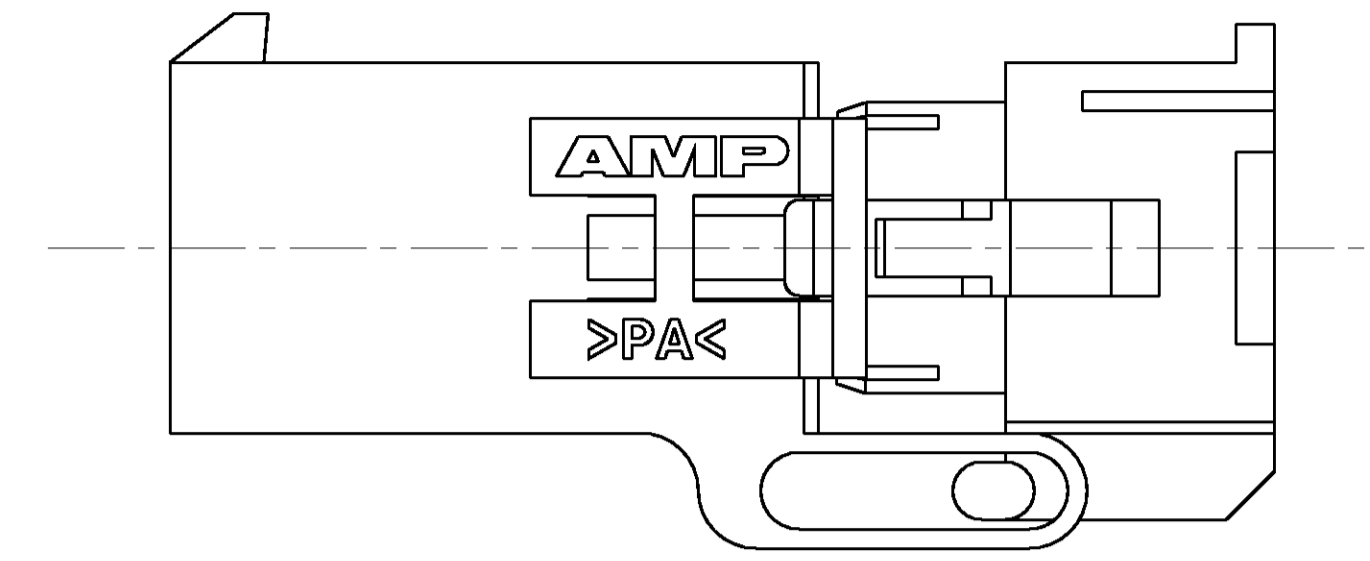
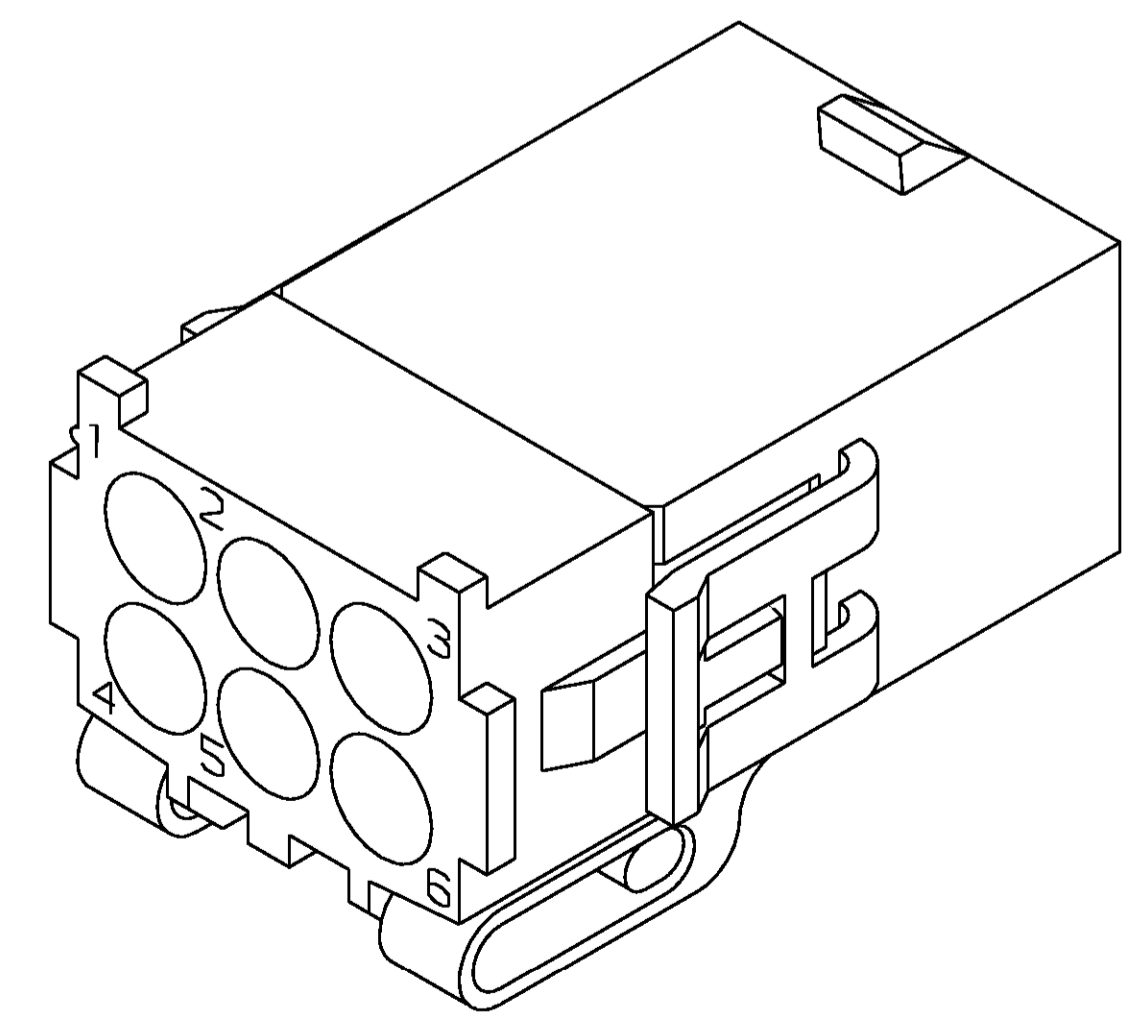
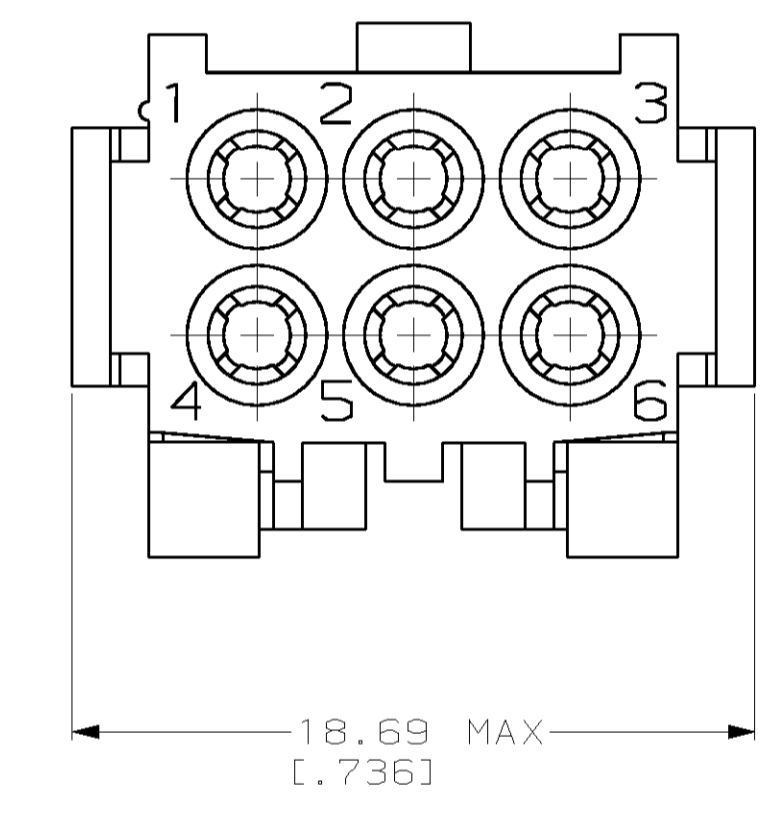
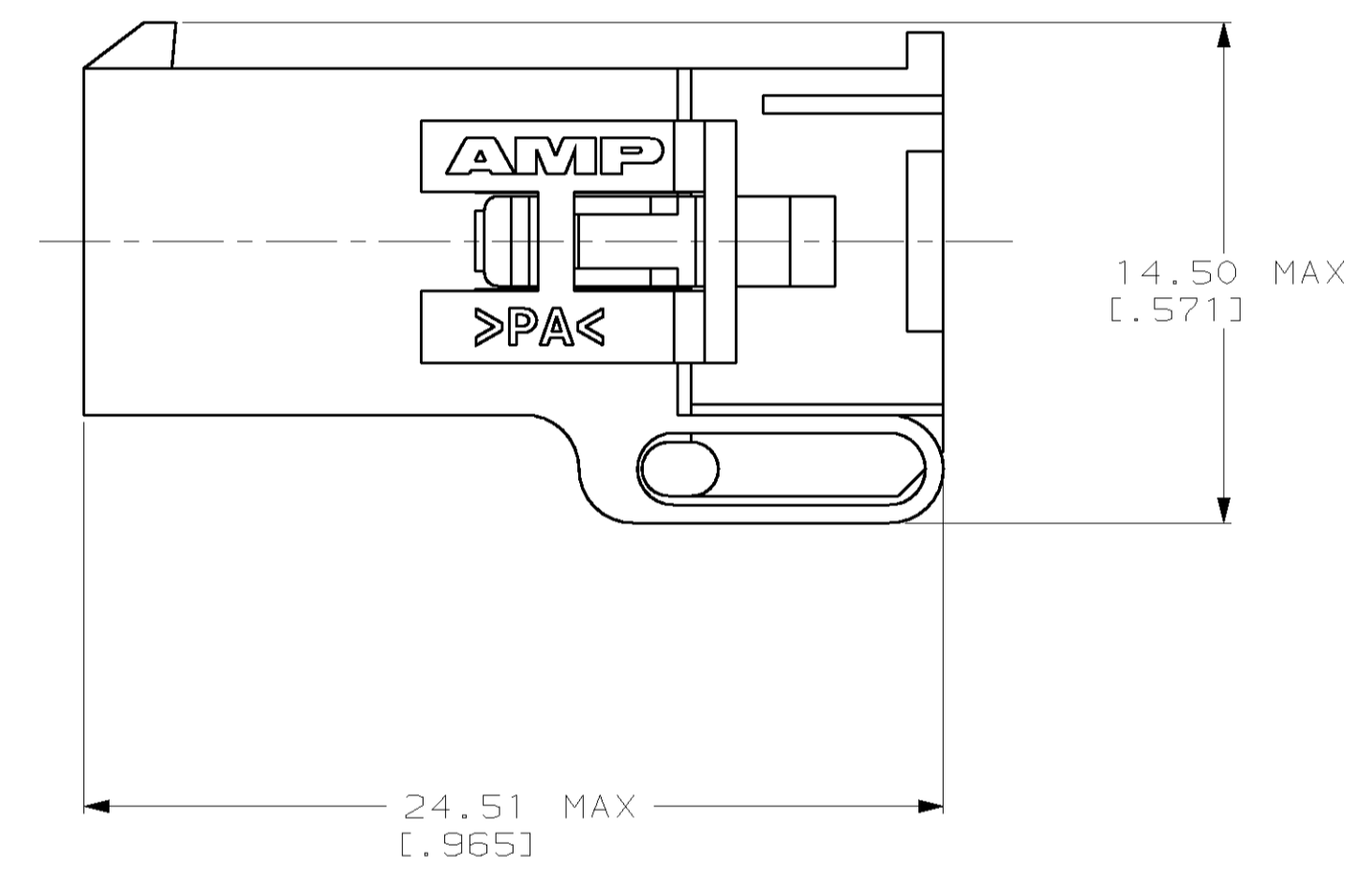
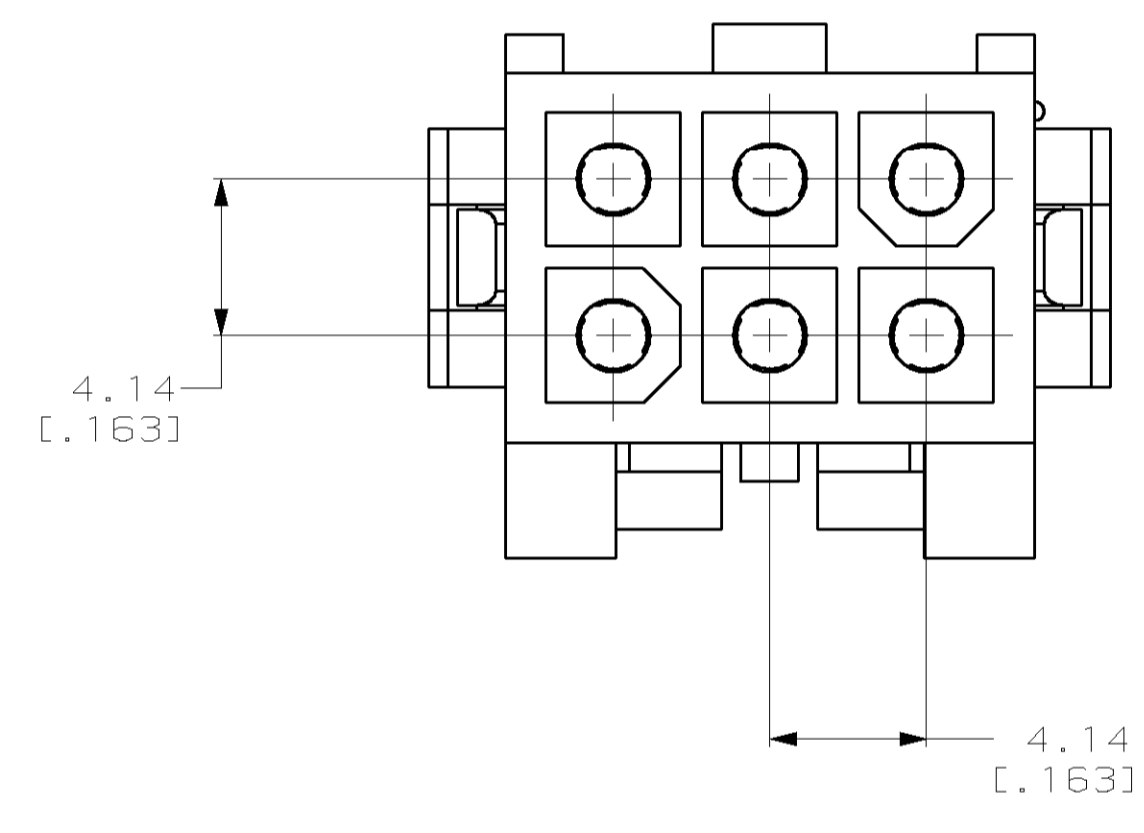


LOC		DIST		REVISIONS				
F	CHR	DATE	OWN	APVD	DESCRIPTION	DATE	OWN	APVD
B		23-SEP-99	KW	KC	REV PER EC 061B-0094-99			



PRE-STAGED CONDITION

1. DIMENSIONS IN BRACKETS ARE IN INCHES.



3-DIMENSIONAL MODEL
NTS

794191-1
PART NUMBER



THIS DRAWING IS A CONTROLLED DOCUMENT.		DWN K. WHITAKER	5-12-97	AMP AMP Incorporated Harrisburg, PA 17105-3608
DIMENSIONS:		CHK R. SWING	5-12-97	
TOLERANCES UNLESS OTHERWISE SPECIFIED:		APVD S. ORSTAD	5-12-97	NAME CAP
0 PLC	±	PRODUCT SPEC		6 CIRCUIT, MINI UNIVERSAL
1 PLC	±	APPLICATION SPEC		MATE-N-LOK™ 2
2 PLC	±	MATERIAL NYLON, UL 94V-0, NATURAL		SIZE CAGE CODE DRAWING NO A1 00779 C-794191
3 PLC	±0.13 (.005)	FINISH		RESTRICTED TO
4 PLC	±	WEIGHT		-
5 PLC	±	CUSTOMER DRAWING		SCALE 5:1 SHEET 1 OF 1 REV B