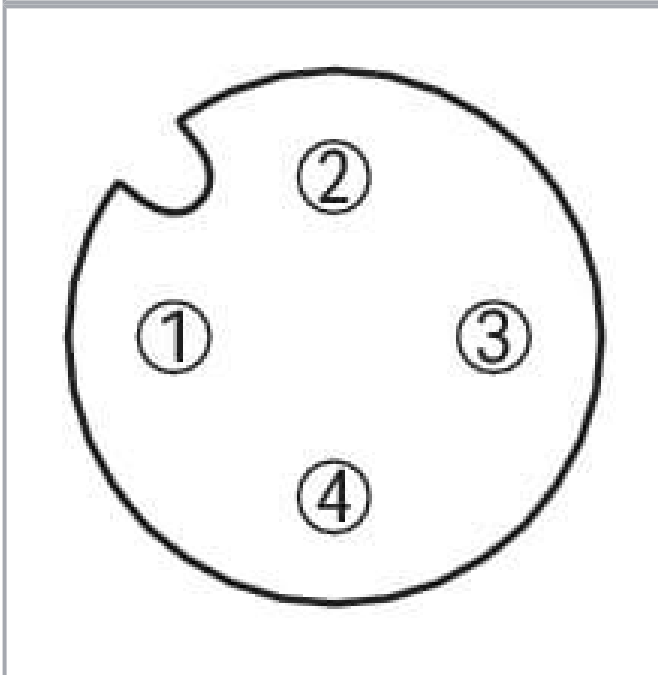
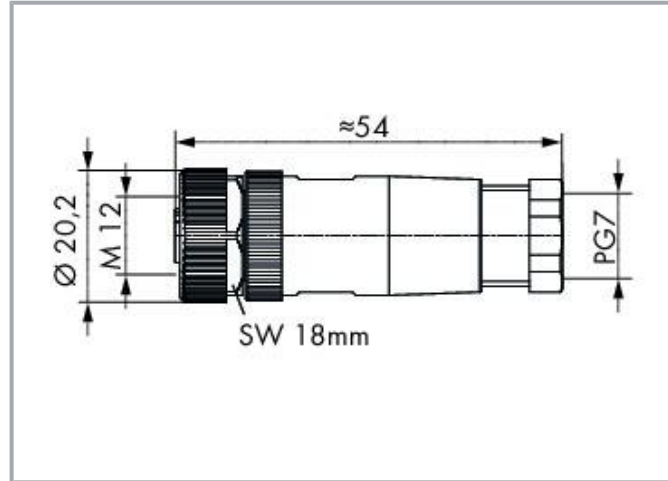


Data sheet | Item number: 756-9212/040-000

Fitted pluggable connector; 4-pole; M12 socket, straight; Spring

www.wago.com/756-9212/040-000



Subject to changes. Please also observe the further product documentation!

WAGO GmbH & Co. KG
Hansastr. 27
32423 Minden
Phone: +49571 887-0 | Fax: +49571 887-169
Email: info.de@wago.com | Web: www.wago.com

Do you have any questions about our products?
We are always happy to take your call at +49 (571) 887-44222.



Data

Technical data

Connection type	M12 socket
Pole number	4
Cable connection direction to mating direction	0°
Connector interface coding (cable/adapter) 1 1	A-coded
Contact resistance	≤3 mΩ

Connection data

Connection type 1	Spring clamp technology
Solid conductor	0.14 ... 0.5 mm ² / 20 AWG

Mechanical Data

Connectable sheathed cable diameter	4 ... 6 mm
Housing material	PA
Contact material	CuZn
Contact plating	Gold
Dichtungsmaterial	Seal: Neoprene
Mating cycles (max.)	100
Weight	25.3 g

Environmental requirements

Ambient temperature (operation)	-25 ... +85 °C
Protection type	IP67
Note on protection type	in locked position
Pollution degree	3

Commercial data

eCl@ss 10.0	27-24-26-92
eCl@ss 9.0	27-24-26-92
ETIM 8.0	EC002584
ETIM 7.0	EC002584
PU (SPU)	5 (1) pcs
Packaging type	box
Country of origin	DE

Subject to changes. Please also observe the further product documentation!

WAGO GmbH & Co. KG
 Hansastr. 27
 32423 Minden
 Phone: +49571 887-0 | Fax: +49571 887-169
 Email: info.de@wago.com | Web: www.wago.com

Do you have any questions about our products?
 We are always happy to take your call at +49 (571) 887-44222.



GTIN	4045454695118
Customs tariff number	85366990990

Environmental Product Compliance

CAS-No.	96-45-7
REACH Candidate List Substance	Ethylene thiourea
RoHS Compliance Status	Compliant, No Exemption
SCIP notification number (Austria)	efa4cd2d-82d0-4cc2-a8cf-f5ff791fdef0
SCIP notification number (Belgium)	f731c219-927b-40d4-832a-9e81db2b7787
SCIP notification number (Bulgaria)	2ec96b6b-8183-44af-8921-503d01ef274f
SCIP notification number (Czech Republic)	6f09d619-cd9f-455b-9827-be6715b44c34
SCIP notification number (Denmark)	fcfcb526-edb0-4d92-a128-06e91d3e130d
SCIP notification number (Finland)	1615ee44-d4a7-4bfc-919c-dd8347f3132f
SCIP notification number (France)	ac0c9066-88bc-4cef-8f87-e1a5badd008c
SCIP notification number (Germany)	df874b28-cdeb-4334-a780-5db07d560c62
SCIP notification number (Hungary)	396542af-be67-4c69-9573-daa30a0cf8db
SCIP notification number (Italy)	297f212a-270f-4186-83fd-08800a87c078
SCIP notification number (Netherlands)	6f520990-f270-46a7-be26-62d490b97455
SCIP notification number (Poland)	99e534cf-39b1-4415-b80d-99e609a027ed
SCIP notification number (Romania)	f9f6fdf4-cd9d-4995-96b6-f5d678a4e681
SCIP notification number (Sweden)	bfe63cb3-32cc-47f8-9231-881526176573

Downloads

Documentation

Bid Text

756-9212/040-000 X81 - Datei	2019 Feb 19	xml 2.7 kB	Download
756-9212/040-000 doc - Datei	2017 Sep 20	doc 24.6 kB	Download

System Description

IP67 Cables and Pluggable Connectors	pdf 161.6 kB	Download
--------------------------------------	-----------------	----------

Subject to changes. Please also observe the further product documentation!



CAD/CAE-Data

CAE data

WSCAD Universe 756-9212/040-000	URL	Download
WSCAD Universe 756-9212/040-000	URL	Download

Environmental Product Compliance

Compliance Search

Environmental Product Compliance 756-9212/040-000	URL	Download
Fitted pluggable connector; 4-pole; M12 socket, straight; Spring		

Installation Notes

Subject to changes. Please also observe the further product documentation!