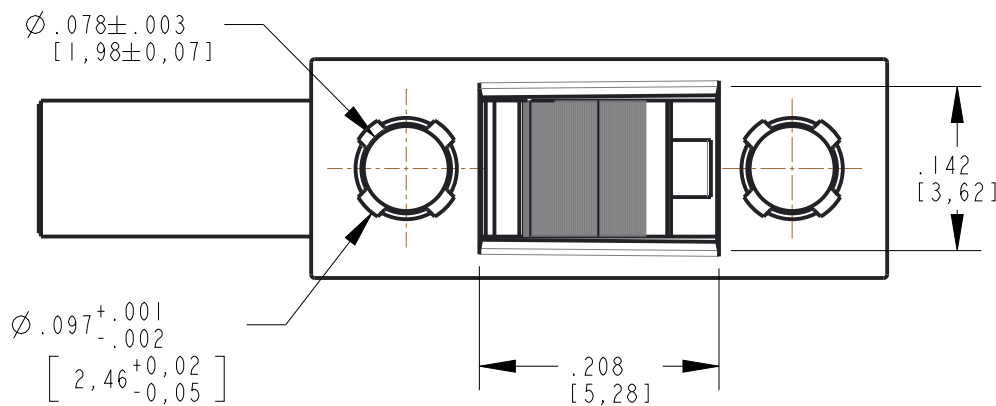
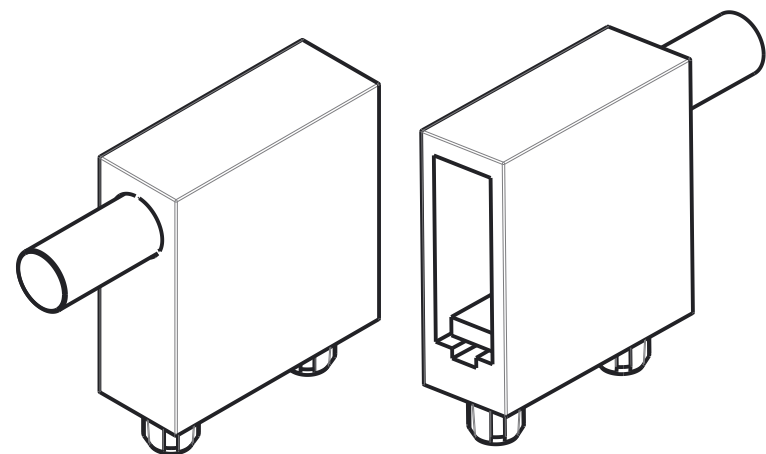
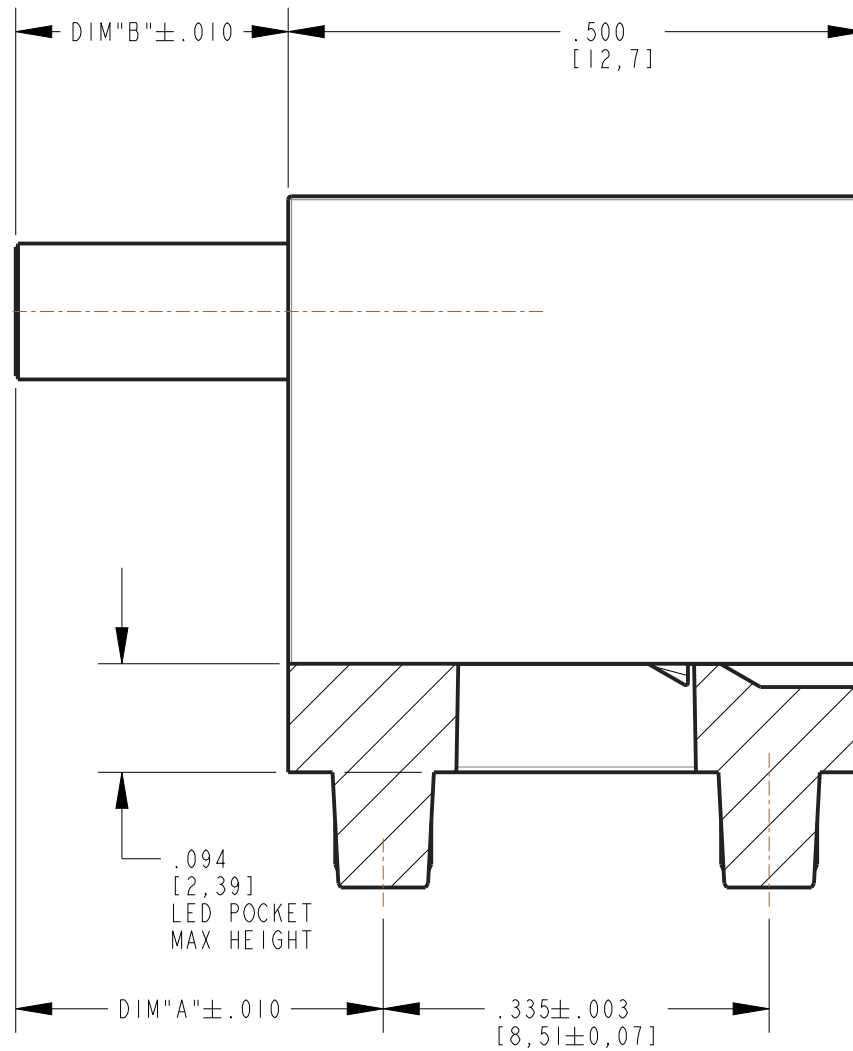
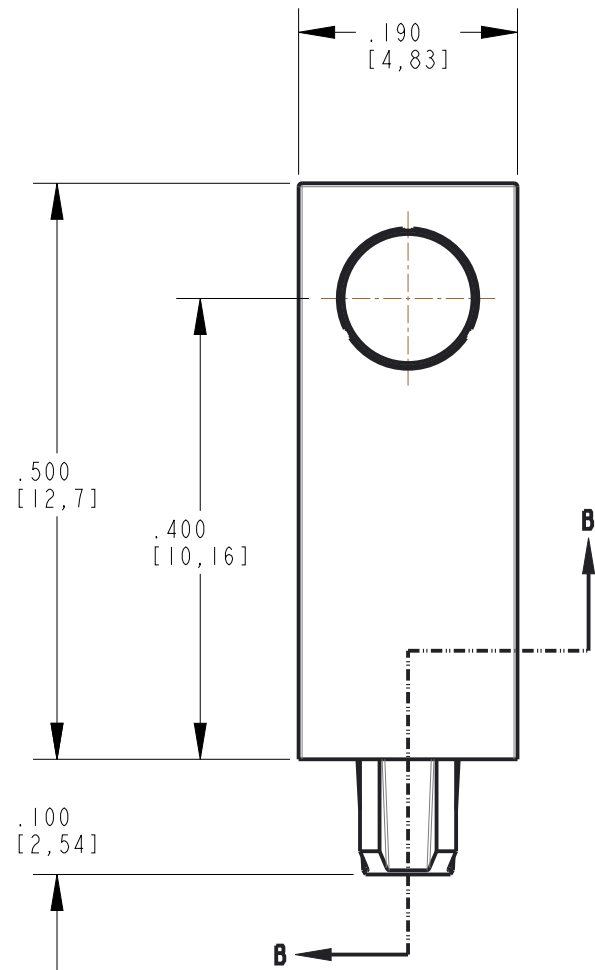


PART NUMBER	DIM "A" in[mm]	DIM "B" in[mm]
515-1254-0319F	.319 [8,1]	.237 [6,01]
515-1254-0590F	.590 [15,00]	.508 [12,90]
515-1254-0839F	.839 [21,31]	.757 [19,23]
515-1254-1181F	1.181 [30,00]	1.099 [27,91]
515-1254-1772F	1.772 [45,00]	1.690 [42,93]

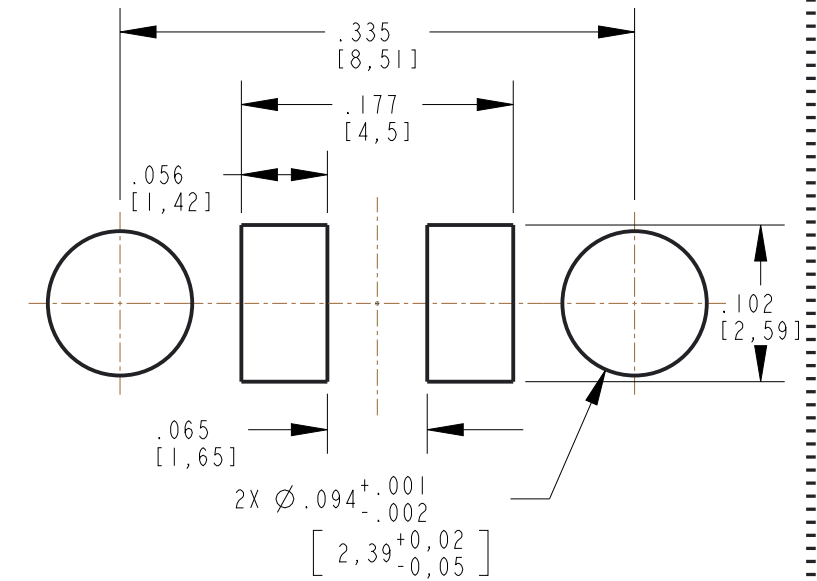
NOTES:

1. THIS PRODUCT IS RoHS COMPLIANT. EACH BAG IS MARKED WITH RoHS COMPLIANT OR EQUIVALENT MARKINGS.
2. SUGGEST PAD LAYOUT FOR SM PLLC 2 AND PLCC-4 LEADS.
3. SUGGESTED LEDS:
 597-3XXX-207F/NF, 598-8BX0-107F,
 BI-COLOR: 597-77XX-207F,007F
 TRI-COLOR: 597-77XX-007F,907F

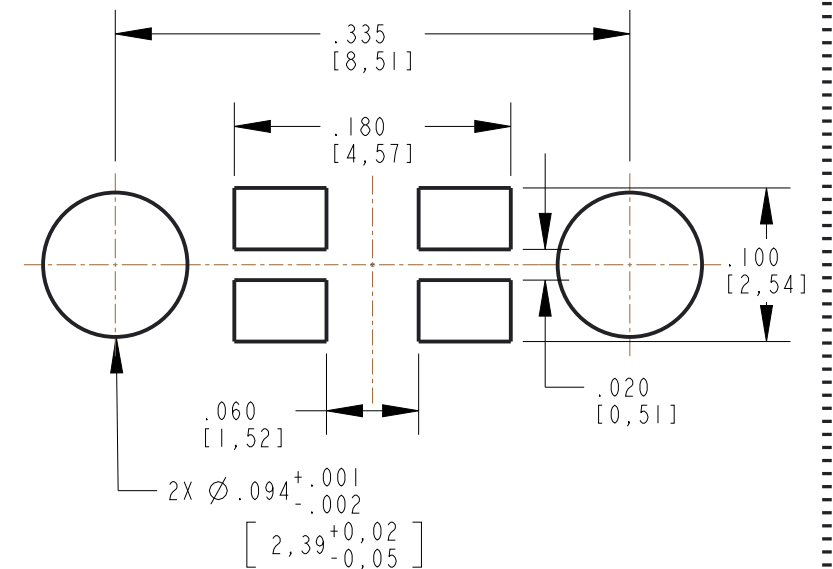


REV	REVISIONS	DRN	CKD	APP	QA	CM	DATE
A	NEW RELEASE	LD					

RECOMMENDED HOLE & PAD LAYOUT: SINGLE COLOR



RECOMMENDED HOLE & PAD LAYOUT: MULTI COLOR



THIS DRAWING AND THE CONTENTS HEREIN ARE CONFIDENTIAL AND THE SOLE PROPERTY OF DIALIGHT CORP. REPRODUCTION OF THIS DRAWING OR CONSTRUCTION OF ANY PARTS WITHIN THIS DRAWING ARE FORBIDDEN WITHOUT THE WRITTEN CONSENT OF DIALIGHT CORP.

DIALIGHT CORP INTERNAL REFERENCE ONLY = 3D MODEL : 5151254XXXXF-A.11	
SCALE: 6.000	DRAWING NUMBER
ALL DIM's: INCH (mm)	REV
TOLERANCES: UNLESS OTHERWISE SPECIFIED	C-18535
FRACTIONS: ±1/64	TITLE
DECIMALS (.XX): ±.01	VARIABLE LP ASSEMBLY .400" HEIGHT
DECIMALS (.XXX): ±.005	MATERIAL
DECIMALS (.XXXX): ±.0005	
ANGLES: ±1°	
FINISH	
FSCM 83330	

Dialight
 1501 ROUTE 34 SOUTH
 FARMINGDALE, NJ 07727
 (732) 919-3119
 www.dialight.com