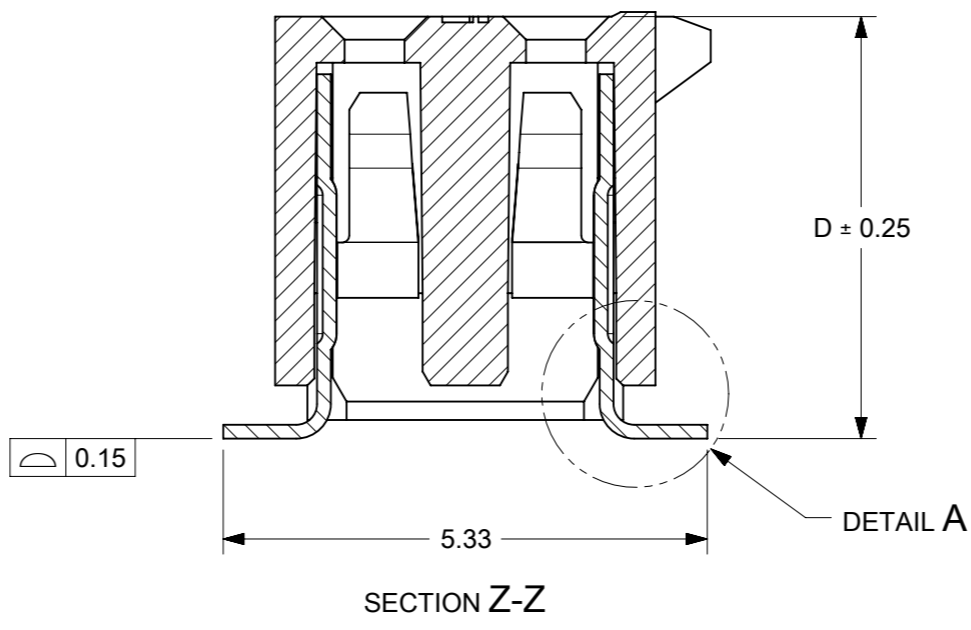
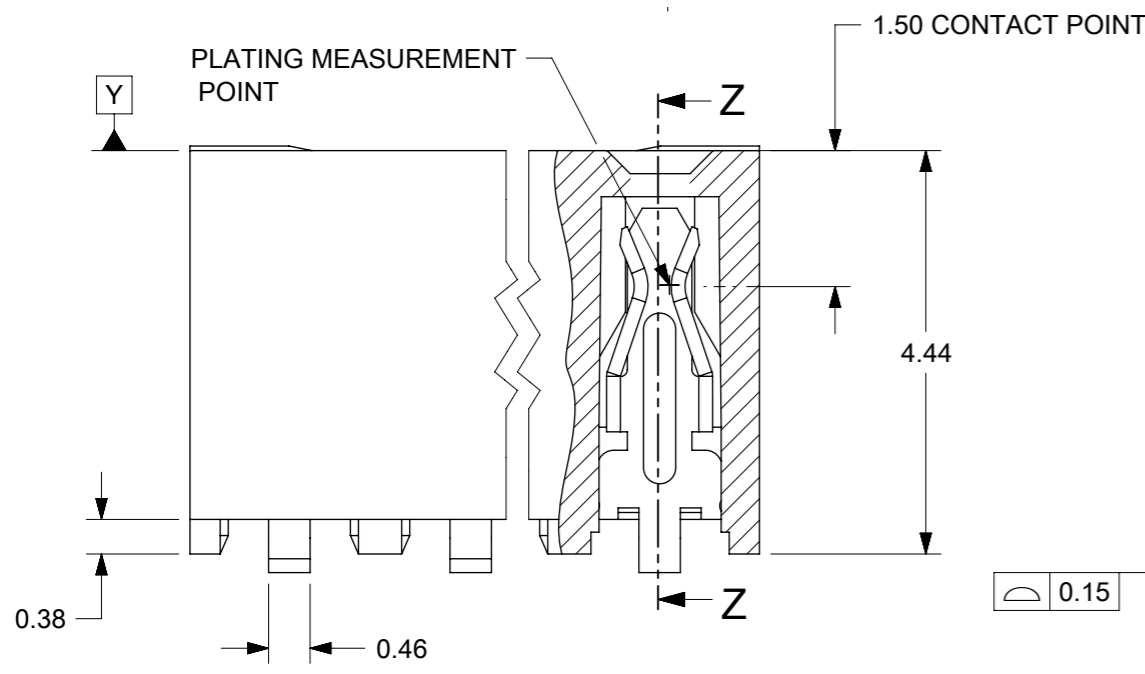
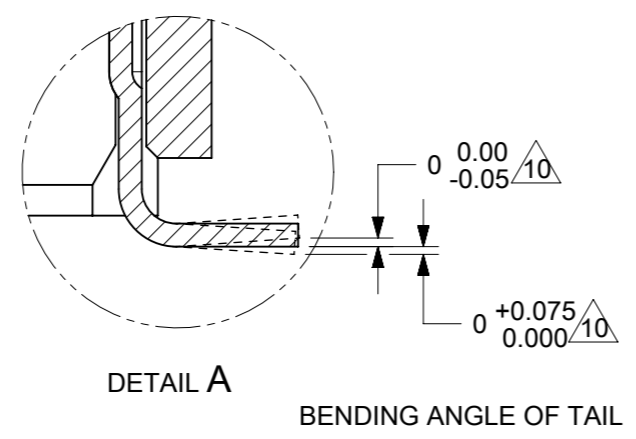
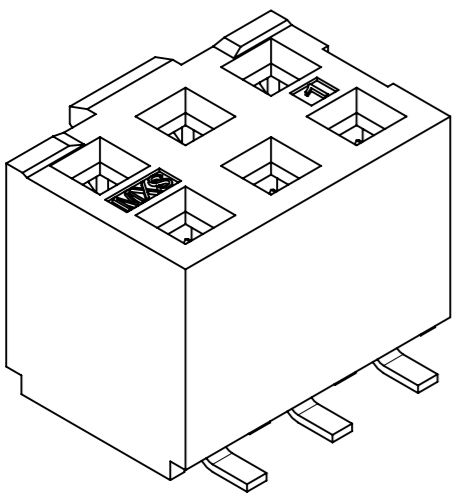


RECOMMENDED PCB PAD LAYOUT



SECTION Z-Z



BENDING ANGLE OF TAIL

NOTES:

1. HOUSING MATERIAL:
LCP, GLASS FILLED, UL 94V-0
COLOUR BLACK.
2. TERMINAL MATERIAL:
PHOSPHOR BRONZE
3. SEE APPROPRIATE SHEET FOR CIRCUIT SIZE,
PART NUMBERS AND OVERALL DIMENSIONS.
4. FOR ILLUSTRATION, 6 CKT ASSY SHOWN.
5. REFER TO PRODUCT SPEC PS-79107.
6. TUBE PACKAGING PER 2173980000-PK
TAPE PACKAGING PER PK-70873-0259
7. SEE FROM SHT 4 FOR PEG OPTION ASSEMBLIES.
8. CKT LOCATIONS ARE NUMBERED FROM LEFT TO
RIGHT WHEN VIEWING ASSY FROM TOP WITH
THE GATE RECESS ON THE RIGHT AS SHOWN.
9. MEASUREMENT IS TAKEN BETWEEN THE TANGENT OF
THE TOE TO TIP OF THE TERMINAL.

PLATING OPTION:


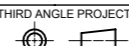
- (4). 30µin (0.75µm) MIN. GOLD PLATE IN SELECTED AREA AND
75µin (1.88µm) MIN. TIN IN SELECTED AREA OVER
50µin (1.25µm) MIN. NICKEL OVER-ALL.
- (5). 15µin (0.38µm) MIN. GOLD PLATE IN SELECTED AREA AND
75µin (1.88µm) MIN. TIN IN SELECTED AREA OVER
50µin (1.25µm) MIN. NICKEL OVER-ALL.
- (6). 5µin (0.13µm) MIN. GOLD PLATE IN SELECTED AREA AND
75µin (1.88µm) MIN. TIN IN SELECTED AREA OVER
50µin (1.25µm) MIN. NICKEL OVER-ALL.

THIS DRAWING CONTAINS INFORMATION THAT IS PROPRIETARY TO MOLEX ELECTRONIC TECHNOLOGIES, LLC AND SHOULD NOT BE USED WITHOUT WRITTEN PERMISSION											
DIMENSION UNITS		SCALE		CURRENT REV DESC:						molex	
mm		12:1									
GENERAL TOLERANCES (UNLESS SPECIFIED)				EC NO: 682078		DRWN: ABABUPS		2021/09/27		2MM DUAL ROW W/ LOCKING RAMP VERTICAL RECEPTACLE, SMT	
4 PLACES ±				CHK'D: MRAMAKRISHNA		2021/10/20				PRODUCT CUSTOMER DRAWING	
3 PLACES ±				APPR: MRAMAKRISHNA		2021/10/20				DOCUMENT NUMBER	
2 PLACES ± 0.25				INITIAL REVISION:				2020/11/12		2173980000-SD	
1 PLACE ± 0.38				DRWN: HARSHG		2021/02/11				DOC TYPE DOC PART REVISION	
0 PLACES ±				APPR: MRAMAKRISHNA						PSD 001 A1	
ANGULAR TOL ± °				THIRD ANGLE PROJECTION		DRAWING		SERIES		MATERIAL NUMBER	
DRAFT WHERE APPLICABLE MUST REMAIN WITHIN DIMENSIONS				A3-SIZE		217398		CUSTOMER		SEE CHART GENERAL MARKET	
										SHEET NUMBER	
										1 OF 5	

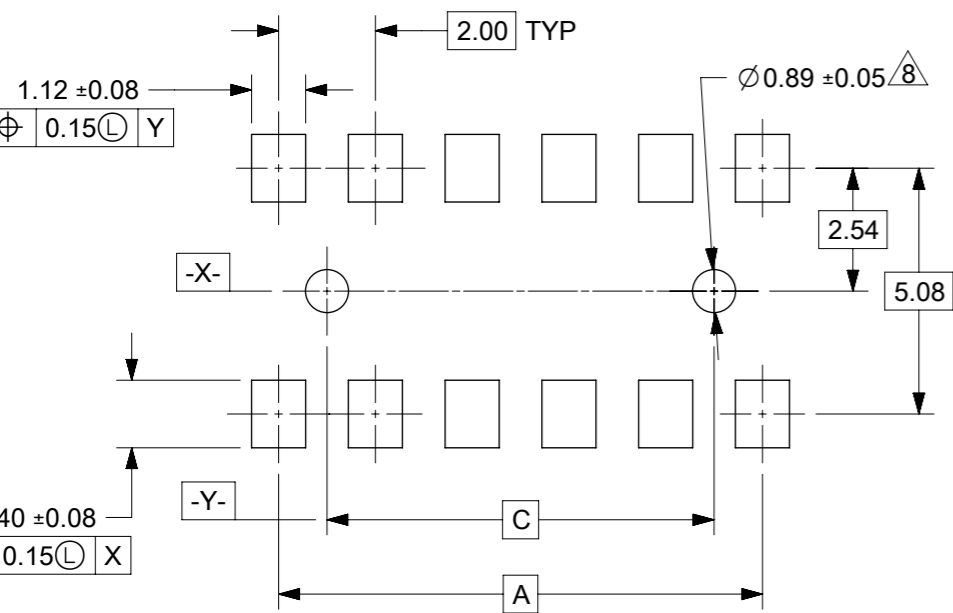
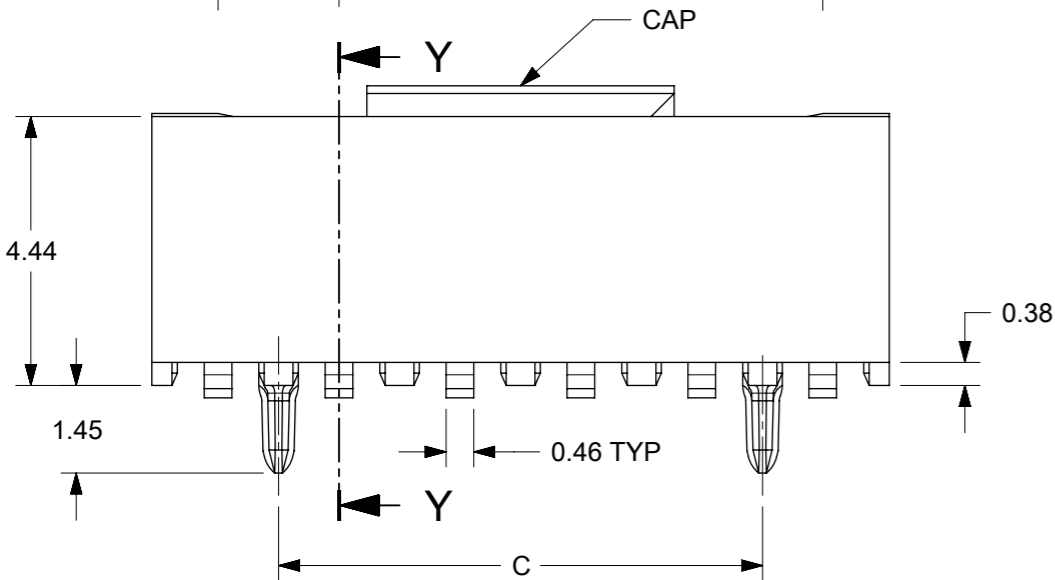
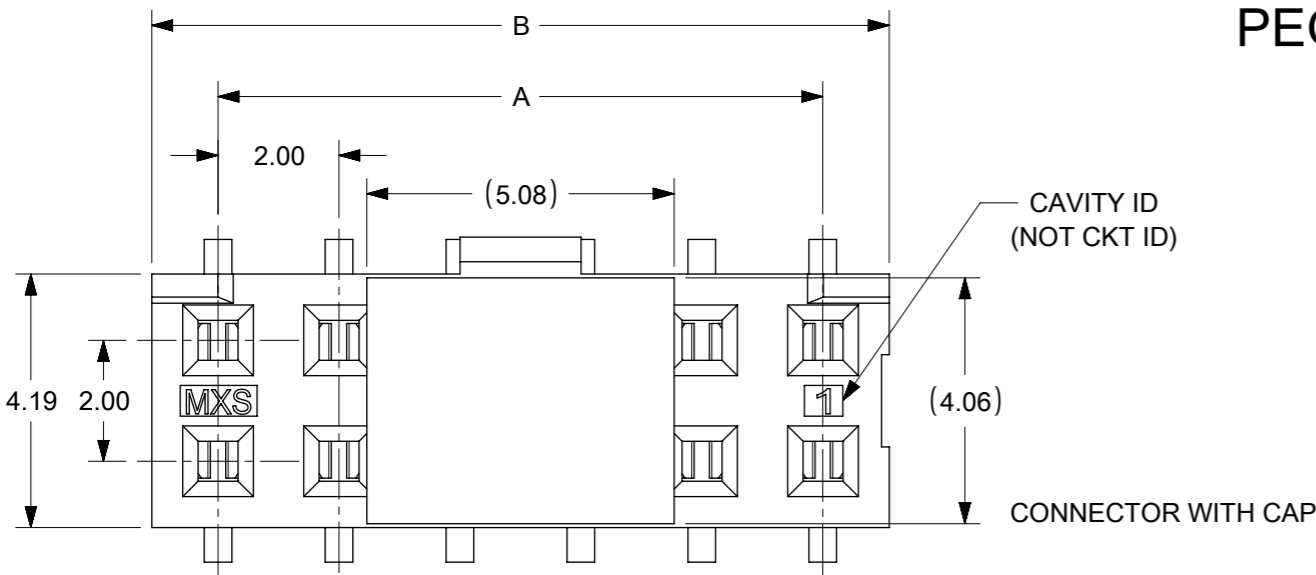
WITHOUT PEG OPTION

CKT. SIZE	DIM. "A"	DIM. "B"	DIM. "D"	PLATING OPTION 5		PLATING OPTION 4		PLATING OPTION 6		
				ITEM NO. TUBE PACKED (WITHOUT CAP)	ITEM NO. TAPE PACKED (WITH CAP)	ITEM NO. TUBE PACKED (WITHOUT CAP)	ITEM NO. TAPE PACKED (WITH CAP)	ITEM NO. TUBE PACKED (WITHOUT CAP)	ITEM NO. TUBE PACKED (WITH CAP)	ITEM NO. TAPE PACKED (WITH CAP)
04	2.00	4.19	4.65	217398-1001	217398-8401	217398-1051	217398-8451	217398-1101	217398-1125	217398-1149
06	4.00	6.19	4.65	217398-1002	217398-8402	217398-1052	217398-8452	217398-1102	-	
08	6.00	8.19	4.65	217398-1003	217398-8403	217398-1053	217398-8453	217398-1103	-	
10	8.00	10.19	4.65	217398-1004	217398-8404	217398-1054	217398-8454	217398-1104	-	
12	10.00	12.19	4.65	217398-1005	217398-8405	217398-1055	217398-8455	217398-1105	-	
14	12.00	14.19	4.65	217398-1006	217398-8406	217398-1056	217398-8456	217398-1106	-	
16	14.00	16.19	4.65	217398-1007	217398-8407	217398-1057	217398-8457	217398-1107	-	
18	16.00	18.19	4.65	217398-1008	217398-8408	217398-1058	217398-8458	217398-1108	-	
20	18.00	20.19	4.65	217398-1009	217398-8409	217398-1059	217398-8459	217398-1109	-	
22	20.00	22.19	4.65	217398-1010	217398-8410	217398-1060	217398-8460	217398-1110	-	
24	22.00	24.19	4.65	217398-1011	217398-8411	217398-1061	217398-8461	217398-1111	-	
26	24.00	26.19	4.65	217398-1012	217398-8412	217398-1062	217398-8462	217398-1112	-	
28	26.00	28.19	4.65	217398-1013	217398-8413	217398-1063	217398-8463	217398-1113	-	
30	28.00	30.19	4.65	217398-1014	217398-8414	217398-1064	217398-8464	217398-1114	-	
32	30.00	32.19	4.65	217398-1015	217398-8415	217398-1065	217398-8465	217398-1115	-	
34	32.00	34.19	4.65	217398-1016	217398-8416	217398-1066	217398-8466	217398-1116	-	
36	34.00	36.19	4.65	217398-1017	217398-8417	217398-1067	217398-8467	217398-1117	-	
38	36.00	38.19	4.65	217398-1018	217398-8418	217398-1068	217398-8468	217398-1118	-	
40	38.00	40.19	4.65	217398-1019	217398-8419	217398-1069	217398-8469	217398-1119	-	
42	40.00	42.19	4.65	217398-1020	217398-8420	217398-1070	217398-8470	217398-1120	-	
44	42.00	44.19	4.65	217398-1021	217398-8421	217398-1071	217398-8471	217398-1121	-	
46	44.00	46.19	4.65	217398-1022	217398-8422	217398-1072	217398-8472	217398-1122	-	
48	46.00	48.19	4.65	217398-1023	217398-8423	217398-1073	217398-8473	217398-1123	-	
50	48.00	50.19	4.65	217398-1024	217398-8424	217398-1074	217398-8474	217398-1124	-	

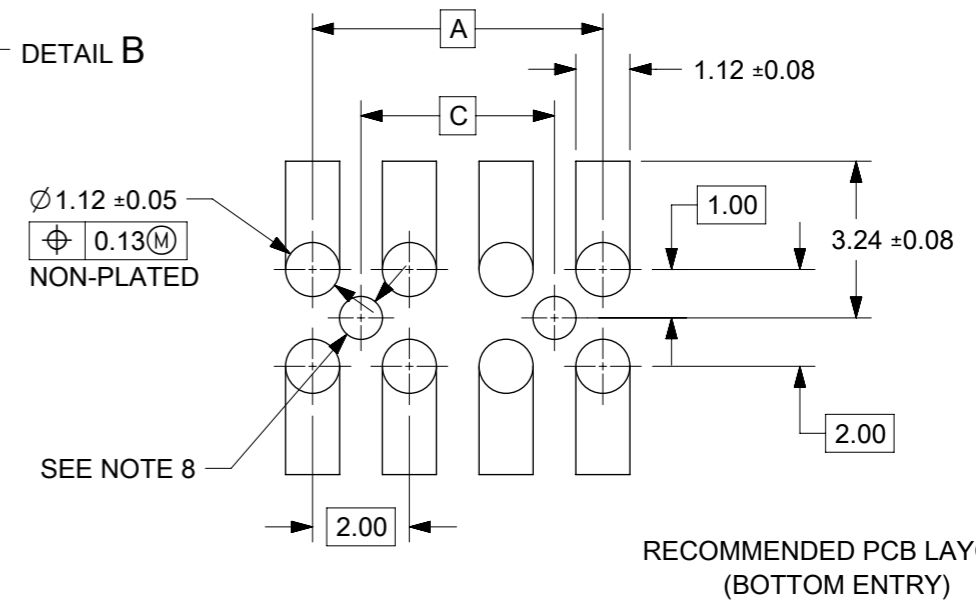
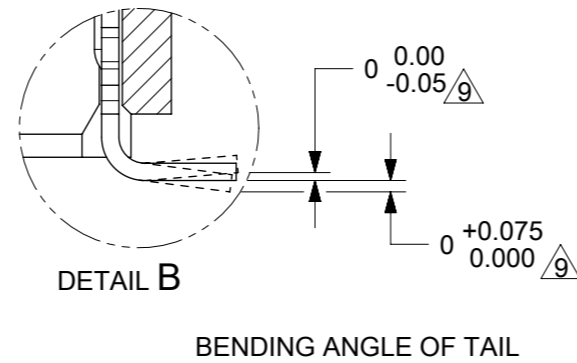
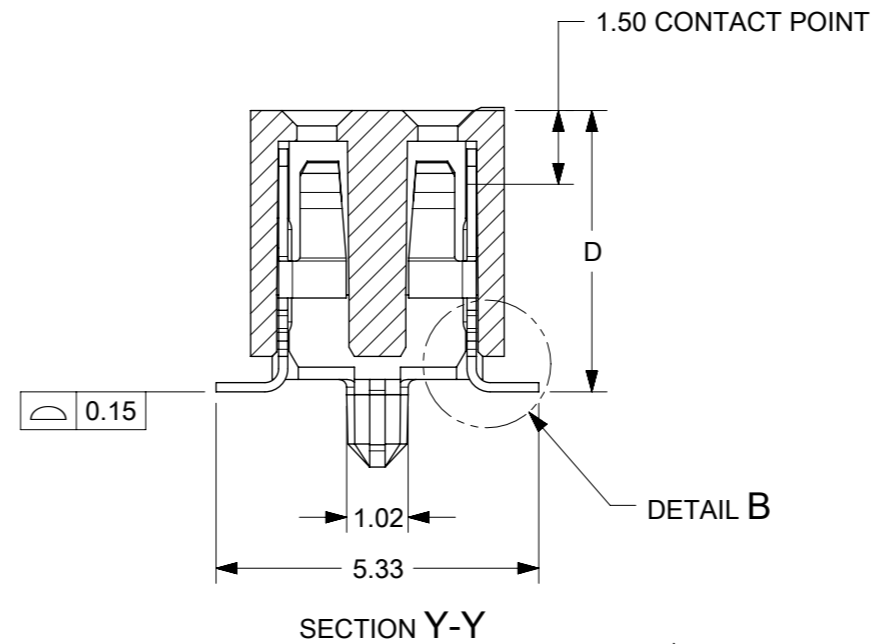
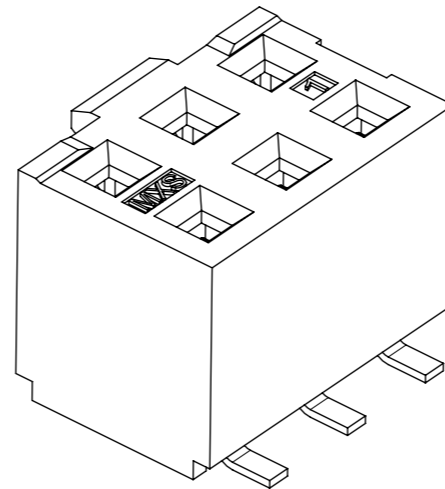
A1

THIS DRAWING CONTAINS INFORMATION THAT IS PROPRIETARY TO MOLEX ELECTRONIC TECHNOLOGIES, LLC AND SHOULD NOT BE USED WITHOUT WRITTEN PERMISSION											
DIMENSION UNITS		SCALE		CURRENT REV DESC:							
mm		15:1									
GENERAL TOLERANCES (UNLESS SPECIFIED)				EC NO: 682078		DRWN: ABABUPS		2021/09/27		2MM DUAL ROW W/ LOCKING RAMP VERTICAL RECEPTACLE, SMT	
				CHK'D: MRAMAKRISHNA		2021/10/20					
				APPR: MRAMAKRISHNA		2021/10/20		PRODUCT CUSTOMER DRAWING			
				INITIAL REVISION:		DRWN: HARSHG		2020/11/12		DOCUMENT NUMBER	
				APPR: MRAMAKRISHNA		2021/02/11		2173980000-SD		DOC TYPE DOC PART REVISION	
				ANGULAR TOL ± °		THIRD ANGLE PROJECTION		DRAWING		SERIES	
				DRAFT WHERE APPLICABLE MUST REMAIN WITHIN DIMENSIONS				A3-SIZE		217398	
				MATERIAL NUMBER		CUSTOMER		SEE CHART		GENERAL MARKET	
										SHEET NUMBER	
										2 OF 5	

PEG OPTION



RECOMMENDED PCB LAYOUT



RECOMMENDED PCB LAYOUT (BOTTOM ENTRY)

PLATING OPTION:

- (4). 30µm (0.75µm) MIN. GOLD PLATE IN SELECTED AREA AND 75µm (1.88µm) MIN. TIN IN SELECTED AREA OVER 50µm (1.25µm) MIN. NICKEL OVER-ALL.
- (5). 15µm (0.38µm) MIN. GOLD PLATE IN SELECTED AREA AND 75µm (1.88µm) MIN. TIN IN SELECTED AREA OVER 50µm (1.25µm) MIN. NICKEL OVER-ALL.
- (6). 5µm (0.13µm) MIN. GOLD PLATE IN SELECTED AREA AND 75µm (1.88µm) MIN. TIN IN SELECTED AREA OVER 50µm (1.25µm) MIN. NICKEL OVER-ALL.

NOTES:

- 1. HOUSING MATERIAL: GLASS FILLED HIGH TEMP. THERMOPLASTIC. COLOR:BLACK.
- 2. TERMINAL MATERIAL: PHOSPHOR BRONZE.
- 3. SEE APPROPRIATE SHEET FOR CIRCUIT SIZE, PART NUMBERS AND OVER-ALL DIMENSIONS.
- 4. FOR ILLUSTRATION, 6 & 12 CIRCUIT ASSEMBLY SHOWN.
- 5. REFER TO PRODUCT SPECIFICATION PS-79107.
- 6. TUBE PACKAGING: TBD
TAPE PACKAGING: TBD
- 7. SEE PSX-79107 FOR SUGGESTED BOTTOM ENTRY PIN LENGTHS.
- 8. 0.89±0.05 DIA FOR PRESS FIT ONLY.
0.99±0.05 FOR PICK AND PLACE WITH MOUNTING FORCE
1.20±0.076 FOR PICK AND PLACE WITH ZERO MOUNTING FORCE
- 9. MEASUREMENT IS TAKEN BETWEEN THE TANGENT OF THE TOE TO TIP OF THE TERMINAL.

THIS DRAWING CONTAINS INFORMATION THAT IS PROPRIETARY TO MOLEX ELECTRONIC TECHNOLOGIES, LLC AND SHOULD NOT BE USED WITHOUT WRITTEN PERMISSION											
DIMENSION UNITS		SCALE		CURRENT REV DESC:							
mm		8:1									
GENERAL TOLERANCES (UNLESS SPECIFIED)											
		MM		INCH							
4 PLACES		±		±		EC NO: 682078					
3 PLACES		±		±		DRWN: ABABUPS 2021/09/27					
2 PLACES		± 0.25		±		CHK'D: MRAMAKRISHNA 2021/10/20					
1 PLACE		± 0.38		±		APPR: MRAMAKRISHNA 2021/10/20					
0 PLACES		±		±		INITIAL REVISION:					
ANGULAR TOL		± °		± °		DRWN: HARSHG 2020/11/12					
						APPR: MRAMAKRISHNA 2021/02/11					
DRAFT WHERE APPLICABLE MUST REMAIN WITHIN DIMENSIONS				THIRD ANGLE PROJECTION		DRAWING		SERIES		MATERIAL NUMBER	
						A3-SIZE		217398		SEE CHART	
								CUSTOMER		SHEET NUMBER	
								GENERAL MARKET		3 OF 5	
DOCUMENT NUMBER		DOC TYPE		DOC PART		REVISION					
2173980000-SD		PSD		001		A1					

PEG OPTION

CKT. SIZE	DIM. "A"	DIM. "B"	DIM. "C"	DIM. "D"	PLATING OPTION 5			PLATING OPTION 4		PLATING OPTION 6	
					ITEM NO. TUBE PACKED (WITHOUT CAP)	ITEM NO. TAPE PACKED (WITH CAP)	ITEM NO. TUBE PACKED (WITH CAP)	ITEM NO. TUBE PACKED (WITHOUT CAP)	ITEM NO. TAPE PACKED (WITH CAP)	ITEM NO. TUBE PACKED (WITHOUT CAP)	ITEM NO. TAPE PACKED (WITH CAP)
04	2.00	4.19	-	4.65	217398-1201	217398-8601	217398-1225	217398-1251	217398-8651	217398-1301	-
06	4.00	6.19	2.00	4.65	217398-1202	217398-8602	217398-1226	217398-1252	217398-8652	217398-1302	-
08	6.00	8.19	4.00	4.65	217398-1203	217398-8603	217398-1227	217398-1253	217398-8653	217398-1303	-
10	8.00	10.19	6.00	4.65	217398-1204	217398-8604	217398-1228	217398-1254	217398-8654	217398-1304	-
12	10.00	12.19	8.00	4.65	217398-1205	217398-8605	217398-1229	217398-1255	217398-8655	217398-1305	-
14	12.00	14.19	10.00	4.65	217398-1206	217398-8606	217398-1230	217398-1256	217398-8656	217398-1306	-
16	14.00	16.19	12.00	4.65	217398-1207	217398-8607	217398-1231	217398-1257	217398-8657	217398-1307	-
18	16.00	18.19	14.00	4.65	217398-1208	217398-8608	217398-1232	217398-1258	217398-8658	217398-1308	-
20	18.00	20.19	16.00	4.65	217398-1209	217398-8609	217398-1233	217398-1259	217398-8659	217398-1309	-
22	20.00	22.19	18.00	4.65	217398-1210	217398-8610	217398-1234	217398-1260	217398-8660	217398-1310	-
24	22.00	24.19	20.00	4.65	217398-1211	217398-8611	217398-1235	217398-1261	217398-8661	217398-1311	-
26	24.00	26.19	22.00	4.65	217398-1212	217398-8612	217398-1236	217398-1262	217398-8662	217398-1312	-
28	26.00	28.19	24.00	4.65	217398-1213	217398-8613	217398-1237	217398-1263	217398-8663	217398-1313	-
30	28.00	30.19	26.00	4.65	217398-1214	217398-8614	217398-1238	217398-1264	217398-8664	217398-1314	-
32	30.00	32.19	28.00	4.65	217398-1215	217398-8615	217398-1239	217398-1265	217398-8665	217398-1315	-
34	32.00	34.19	30.00	4.65	217398-1216	217398-8616	217398-1240	217398-1266	217398-8666	217398-1316	-
36	34.00	36.19	32.00	4.65	217398-1217	217398-8617	217398-1241	217398-1267	217398-8667	217398-1317	-
38	36.00	38.19	34.00	4.65	217398-1218	217398-8618	217398-1242	217398-1268	217398-8668	217398-1318	-
40	38.00	40.19	36.00	4.65	217398-1219	217398-8619	217398-1243	217398-1269	217398-8669	217398-1319	-
42	40.00	42.19	38.00	4.65	217398-1220	217398-8620	217398-1244	217398-1270	217398-8670	217398-1320	-
44	42.00	44.19	40.00	4.65	217398-1221	217398-8621	217398-1245	217398-1271	217398-8671	217398-1321	-
46	44.00	46.19	42.00	4.65	217398-1222	217398-8622	217398-1246	217398-1272	217398-8672	217398-1322	-
48	46.00	48.19	44.00	4.65	217398-1223	217398-8623	217398-1247	217398-1273	217398-8673	217398-1323	-
50	48.00	50.19	46.00	4.65	217398-1224	217398-8624	217398-1248	217398-1274	217398-8674	217398-1324	-

THIS DRAWING CONTAINS INFORMATION THAT IS PROPRIETARY TO MOLEX ELECTRONIC TECHNOLOGIES, LLC AND SHOULD NOT BE USED WITHOUT WRITTEN PERMISSION															
DIMENSION UNITS	SCALE	CURRENT REV DESC:													
mm	1:1														
GENERAL TOLERANCES (UNLESS SPECIFIED)		EC NO: 682078 DRWN: ABABUPS 2021/09/27 CHK'D: MRAMAKRISHNA 2021/10/20 APPR: MRAMAKRISHNA 2021/10/20 INITIAL REVISION: DRWN: HARSHG 2020/11/12 APPR: MRAMAKRISHNA 2021/02/11									2MM DUAL ROW W/ LOCKING RAMP VERTICAL RECEPTACLE, SMT				
							PRODUCT CUSTOMER DRAWING								
4 PLACES	±						MM	±	INCH	±	DOCUMENT NUMBER		DOC TYPE	DOC PART	REVISION
3 PLACES	±										2173980000-SD		PSD	001	A1
2 PLACES	±						0.25	±			MATERIAL NUMBER		CUSTOMER		SHEET NUMBER
1 PLACE	±	0.38	±			217398		GENERAL MARKET		4 OF 5					
0 PLACES	±					SEE CHART		GENERAL MARKET							
ANGULAR TOL ± °		DRAFT WHERE APPLICABLE MUST REMAIN WITHIN DIMENSIONS		THIRD ANGLE PROJECTION		DRAWING		SERIES							
						A3-SIZE		217398							

BOARD TO BOARD (BTB) DISTANCE

RECEPTACLE	MATES WITH(HEADER)	BTB DISTANCE	PICTORIAL VIEW
217398	87831	7.15	
	87832	8.35	
	151117	7.15	
	151118	8.35	

THIS DRAWING CONTAINS INFORMATION THAT IS PROPRIETARY TO MOLEX ELECTRONIC TECHNOLOGIES, LLC AND SHOULD NOT BE USED WITHOUT WRITTEN PERMISSION													
DIMENSION UNITS		SCALE		CURRENT REV DESC:									
mm		1:1											
GENERAL TOLERANCES (UNLESS SPECIFIED)				EC NO: 682078 DRWN: ABABUPS 2021/09/27 CHK'D: MRAMAKRISHNA 2021/10/20 APPR: MRAMAKRISHNA 2021/10/20 INITIAL REVISION: DRWN: DRWN BY XXXX/XX/XX APPR: APPR BY XXXX/XX/XX				2MM DUAL ROW W/ LOCKING RAMP VERTICAL RECEPTACLE, SMT					
								PRODUCT CUSTOMER DRAWING					
4 PLACES ±		±						DOCUMENT NUMBER		DOC TYPE		DOC PART	
3 PLACES ±		±						2173980000-SD		PSD		001	
2 PLACES ±		0.25 ±						REVISION				A1	
1 PLACE ±		0.38 ±											
0 PLACES ±		±											
ANGULAR TOL ± °		± °		THIRD ANGLE PROJECTION		DRAWING		SERIES					
DRAFT WHERE APPLICABLE MUST REMAIN WITHIN DIMENSIONS						A3-SIZE		217398					
				MATERIAL NUMBER		CUSTOMER		SHEET NUMBER					
				SEE CHART		GENERAL MARKET		5 OF 5					