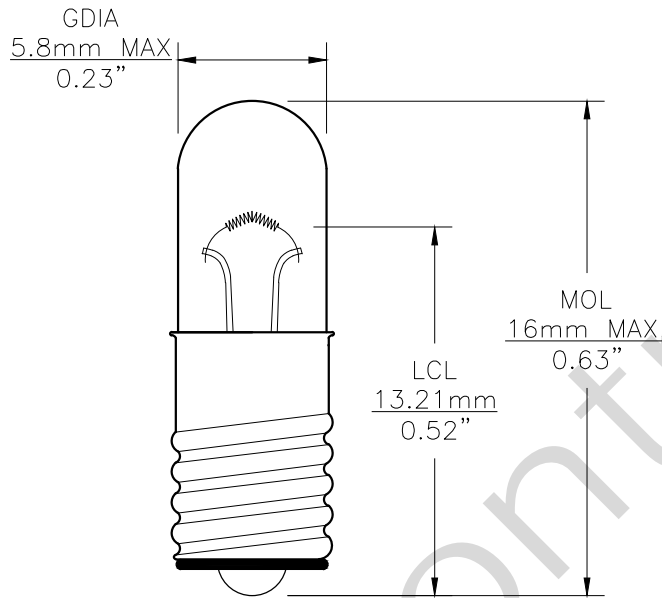


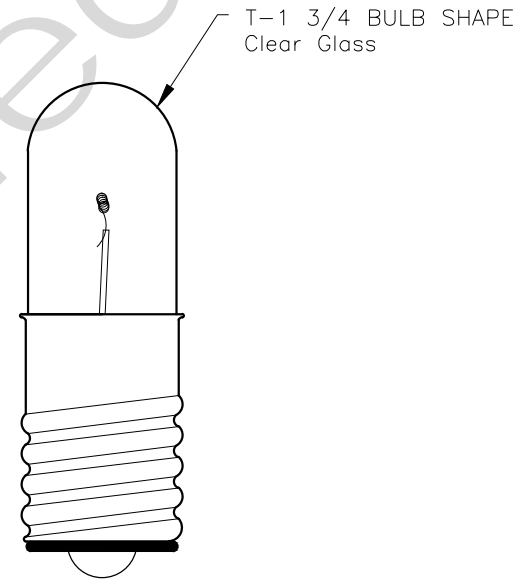


Since 1959

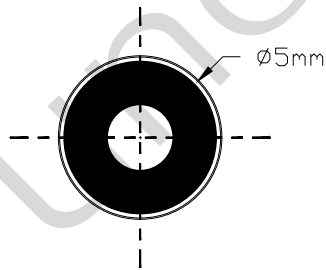
PART NO.	BASE TYPE	DESIGN VOLTS	DESIGN AMPS	MSCD	FILAMENT TYPE	AVERAGE LIFE HOURS	REVISIONS			
							REV #	DESCRIPTION	DATE	APPROVED
1768	Midget Screw (E5)	6.0V	0.20±10%	0.6±20%	C-2R	1000	1	ISSUED	03/03/2011	D.C.
							2	REVISED MOL	09/05/2018	R.M.
							3	REVISED BASE	07/16/2019	R.M.



0° VIEW



90° VIEW



BASE BOTTOM VIEW

UNLESS OTHERWISE SPECIFIED: DIMENSIONS ARE IN INCHES TOLERANCES				CEC INDUSTRIES LTD			
DECIMALS .XX ± .05		ANGULAR .XXX ± .010		FSCM NO.		DWG NO.	
FRACTIONAL ±1/64				599 BOND STREET		LINCOLNSHIRE, IL 60069	
DRAWN DENNIS CLARK	DATE 03/03/2011	TITLE LIGHT BULB NO. 1768					
CHECKED		SIZE A	FSCM NO.	DWG NO. 1768	REV 3		
DESIGN		SCALE	PLOT SCALE	SHEET 1 OF 1			
MATERIAL		FILE 1768.pdf	DRAWING NOT TO SCALE				