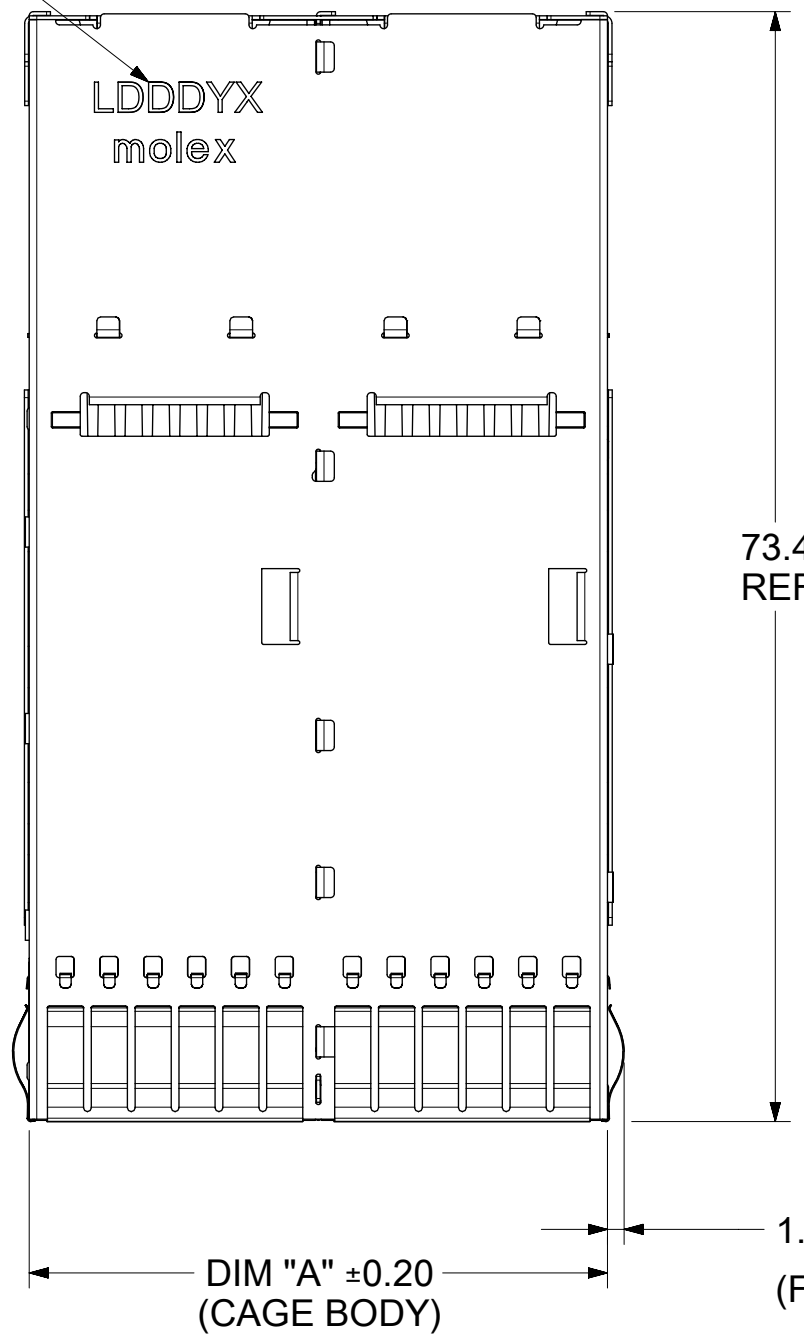
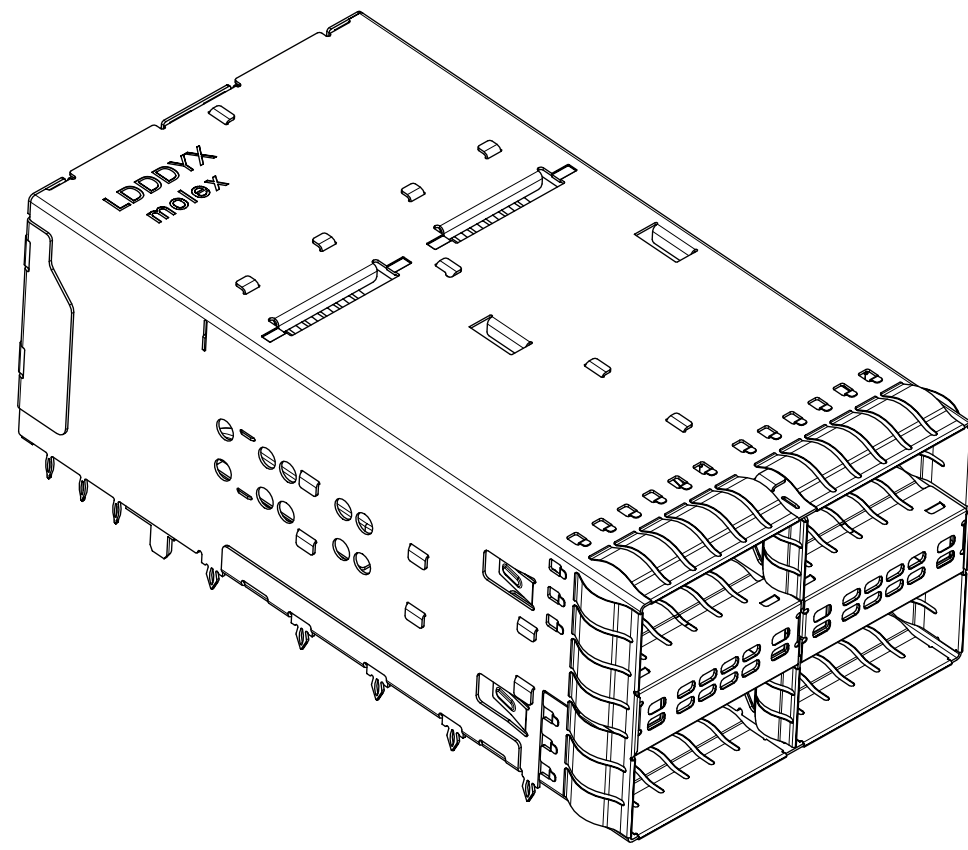


1717222001 SHOWN

DATE CODE,
FOR ALL VIEW.



NOTES:

1. MATERIAL:

- CAGE: COPPER ALLOY, 0.25 THICK
- EMI STRAPS: COPPER ALLOY, 0.10 THICK
- LIGHT PIPES: POLYCARBONATE
(PER TELCORDIA-GR-63-CORE-ISSUE3, SECTION 4.2.3.1; R4-43,
DISCRETE STRUCTURAL COMPONENTS CONSTITUTING A FUEL
LOAD OF 1 GRAM OR LESS ARE EXEMPT FROM THE REQUIREMENTS
OF R4-43 (91); UL 94V-0 RATING)
- INSULATION SHEET: POLYIMIDE FILM TAPE, THICKNESS 0.05±0.01MM.
- COLOR : AMBER OR EQUIVALENT.
- CONNECTOR HOUSING: HIGH PERFORMANCE THERMOPLASTIC, 94V-0
- TERMINALS: HIGH PERFORMANCE COPPER ALLOY, 0.18 THICK

2. FINISH:

- SPRING FINGERS: 0.5µm MIN. NICKEL OVERALL
- TERMINALS: CONTACT AREA: 0.76µm MIN GOLD OVER 0.5µm MIN NICKEL.
- COMPLIANT AREA: 0.76-1.52µm MATTE TIN OVER 1.3µm MIN NICKEL.

3. ALL SURFACES TO BE CLASS 'C' OR BETTER PER MOLEX COSMETIC SPECIFICATION PS-45499-002.

4. REFER TO PK-76871-9001 FOR ALL PACKAGING SPECIFICATIONS.

5. CONNECTOR INTENDED TO MATE WITH PLUG CABLE SERIES 74757 AND 74758.

6. DATE CODE LOCATION SHOWN, DATE CODE FORMAT: LDDDYX

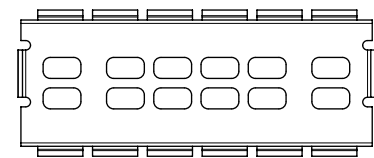
L: MOLEX INTERNAL CONTROL

DDD: DAY OF THE YEAR

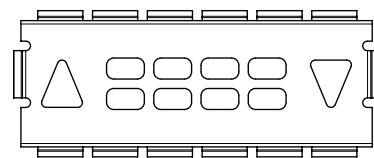
Y: LAST DIGIT OF YEAR

X: MOLEX INTERNAL CONTROL

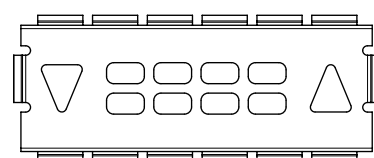
FRONT PLATE OPTIONS



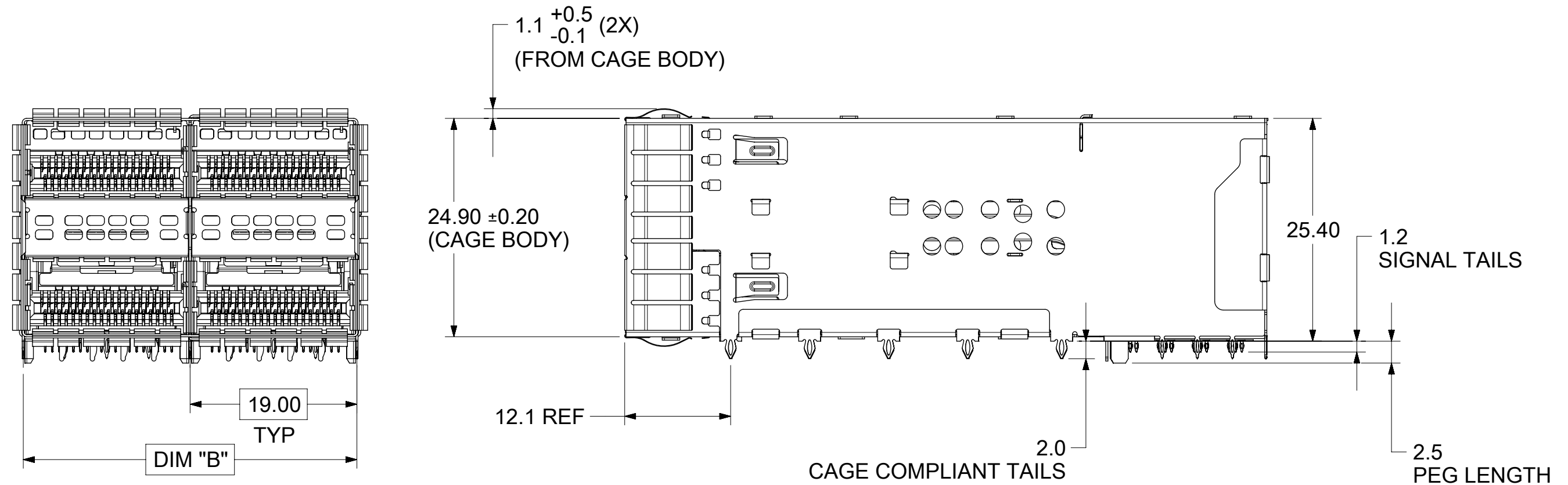
P/N 171722-*001/171722-1004
AIRFLOW ONLY
NO LIGHTPIPE



P/N 171722-*002/171722-1005
UP/DOWN LIGHTPIPE INDICATOR



P/N 171722-*003
DOWN/UP LIGHTPIPE INDICATOR

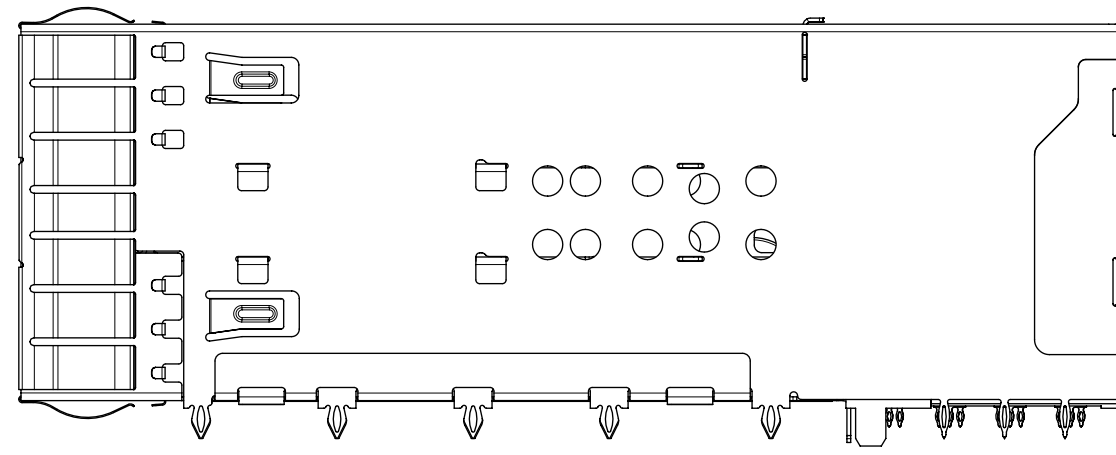
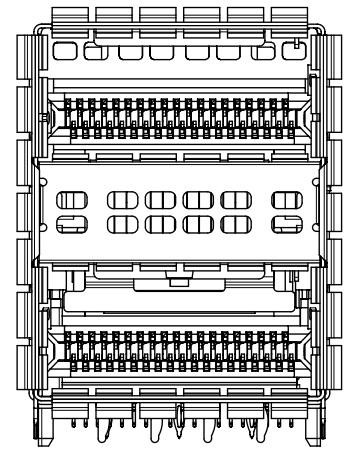


PORT SIZE	PART NUMBER	INSULATION SHEET	DIM 'A'	DIM 'B'
2X1	171722-1001/2/3	NO	19.25	19.00
2X1	171722-1004/1005	YES	19.25	19.00
2X2	171722-2001/2/3	NO	38.25	38.00
2X3	171722-3001/2/3	NO	57.25	57.00

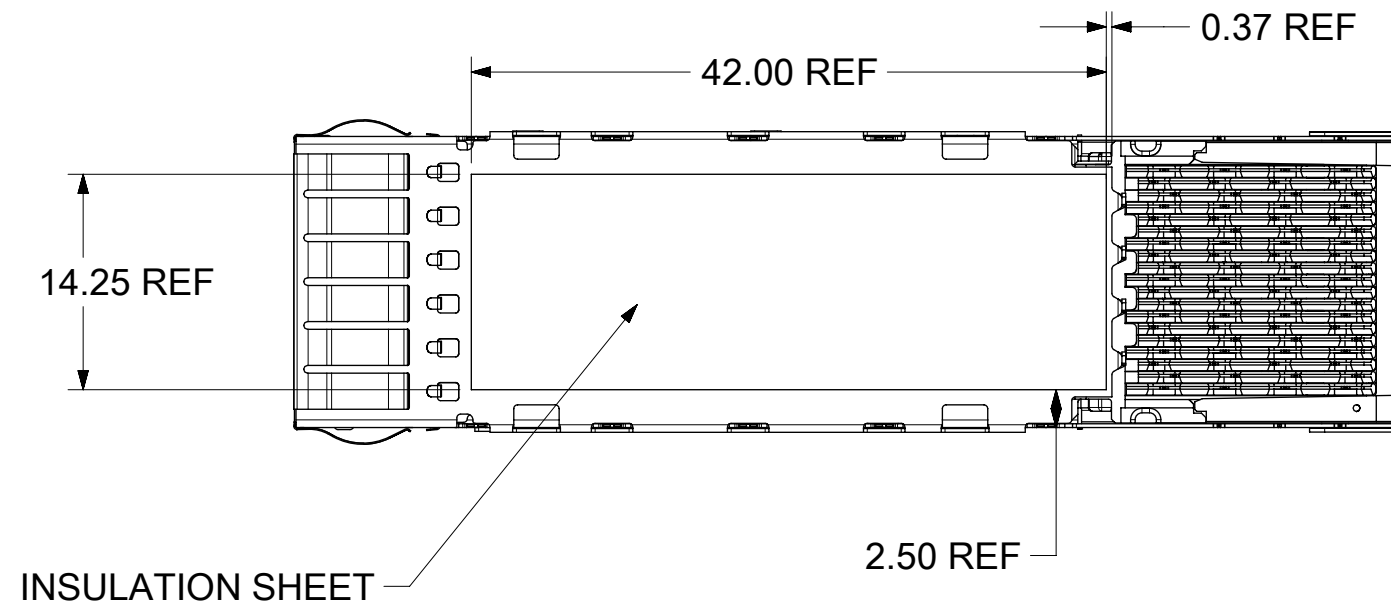
* - DESIGNATES FRONT PLATE OPTIONS

FUNCTIONAL SYMBOLS	THIS DRAWING CONTAINS INFORMATION THAT IS PROPRIETARY TO MOLEX ELECTRONIC TECHNOLOGIES, LLC AND SHOULD NOT BE USED WITHOUT WRITTEN PERMISSION		
	DIMENSION UNITS	SCALE	CURRENT REV DESC: SEE REVISION TABLE.
FA = 0	mm	2:1	EC NO: 721228 DRWN: DSHETTY01 CHK'D: WAYNEL APPR: SYANG16
EA = 0	GENERAL TOLERANCES (UNLESS SPECIFIED)		
EP = 0	ANGULAR TOL ± 0.5°		2022/05/13
DIVISIONAL SYMBOLS	4 PLACES ±		2022/09/14
	3 PLACES ±		2022/09/15
	2 PLACES ±	0.13	
	1 PLACE ±	0.25	
	0 PLACES ±		
DRAFT WHERE APPLICABLE MUST REMAIN WITHIN DIMENSIONS		THIRD ANGLE PROJECTION	DRAWING
			SERIES
			171722
DOCUMENT NUMBER		DOC TYPE	DOC PART
1717222000		PSD	ASY
CUSTOMER		REVISION	
GENERAL MARKET		B6	
MATERIAL NUMBER		SHEET NUMBER	
SEE P/N TABLE		1 OF 5	

1717221004 SHOWN



LOCATION OF INSULATION SHEET



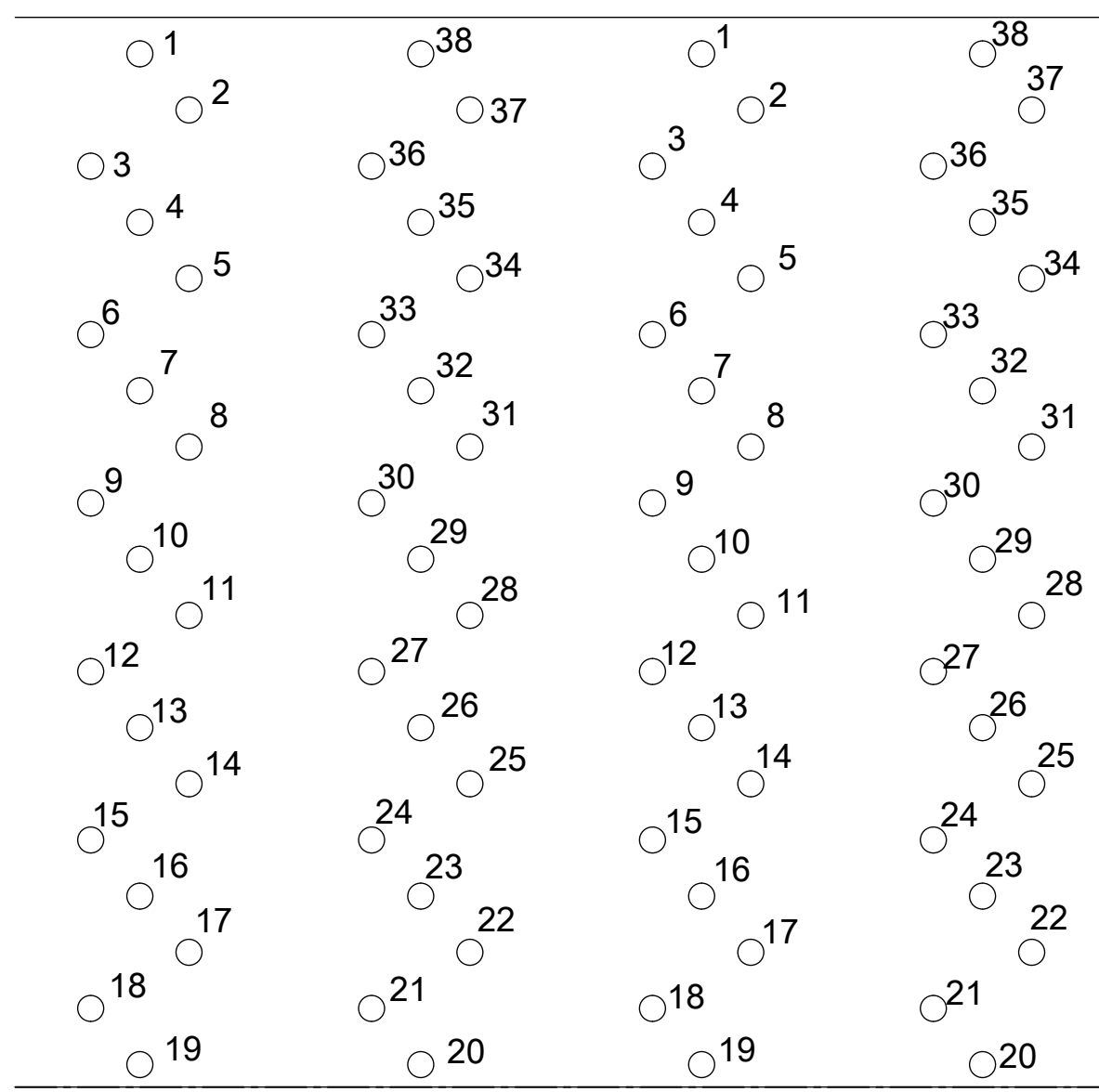
1. THIS SHEET SHOWS COMMON DIMENSIONS FOR 1717221004 AND 1717221005.

FUNCTIONAL SYMBOLS		THIS DRAWING CONTAINS INFORMATION THAT IS PROPRIETARY TO MOLEX ELECTRONIC TECHNOLOGIES, LLC AND SHOULD NOT BE USED WITHOUT WRITTEN PERMISSION																							
DIMENSION UNITS		SCALE		CURRENT REV DESC: SEE REVISION TABLE.																					
mm		2:1		EC NO: 721228 DRWN: DSHETTY01 2022/05/13 CHK'D: WAYNEL 2022/09/14 APPR: SYANG16 2022/09/15 INITIAL REVISION: DRWN: JLIN47 2021/09/24 APPR: SYANG16 2021/12/07																					
GENERAL TOLERANCES (UNLESS SPECIFIED)		ANGULAR TOL ± 0.5°																							
DIVISIONAL SYMBOLS		DRAFT WHERE APPLICABLE MUST REMAIN WITHIN DIMENSIONS										THIRD ANGLE PROJECTION		DRAWING		SERIES		DOCUMENT NUMBER		DOC TYPE		DOC PART		REVISION	
4 PLACES ±		3 PLACES ±										2 PLACES ± 0.13		1 PLACE ± 0.25		0 PLACES ±		171722000		PSD		ASY		B6	
DOCUMENT STATUS		P1		RELEASE DATE		2022/09/15 02:04:17		C-SIZE		171722		SEE P/N TABLE		GENERAL MARKET		2 OF 5									

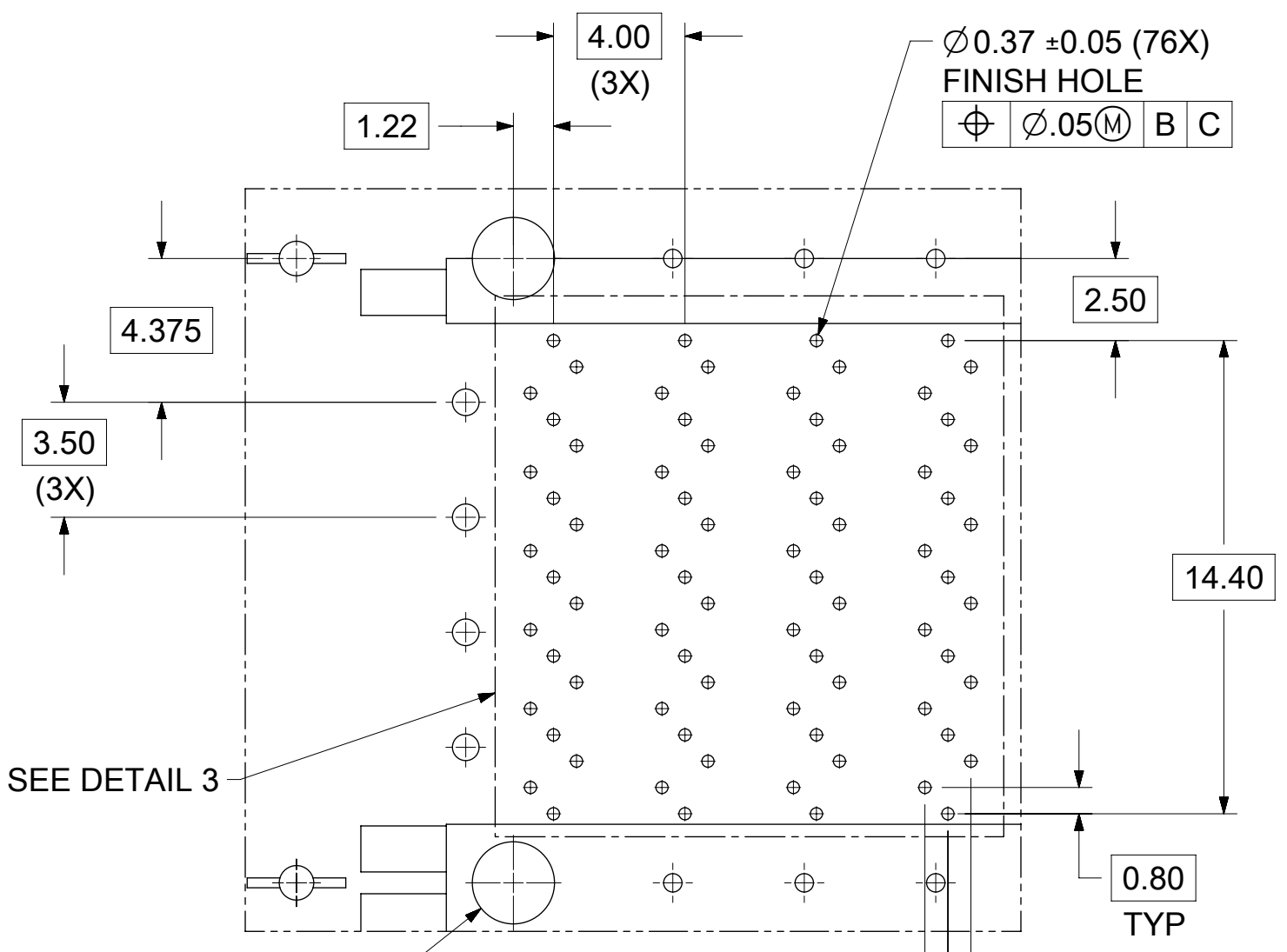
molex

ZQSFP+ STACKED CONNECTOR WITH EMI SPRING FINGER

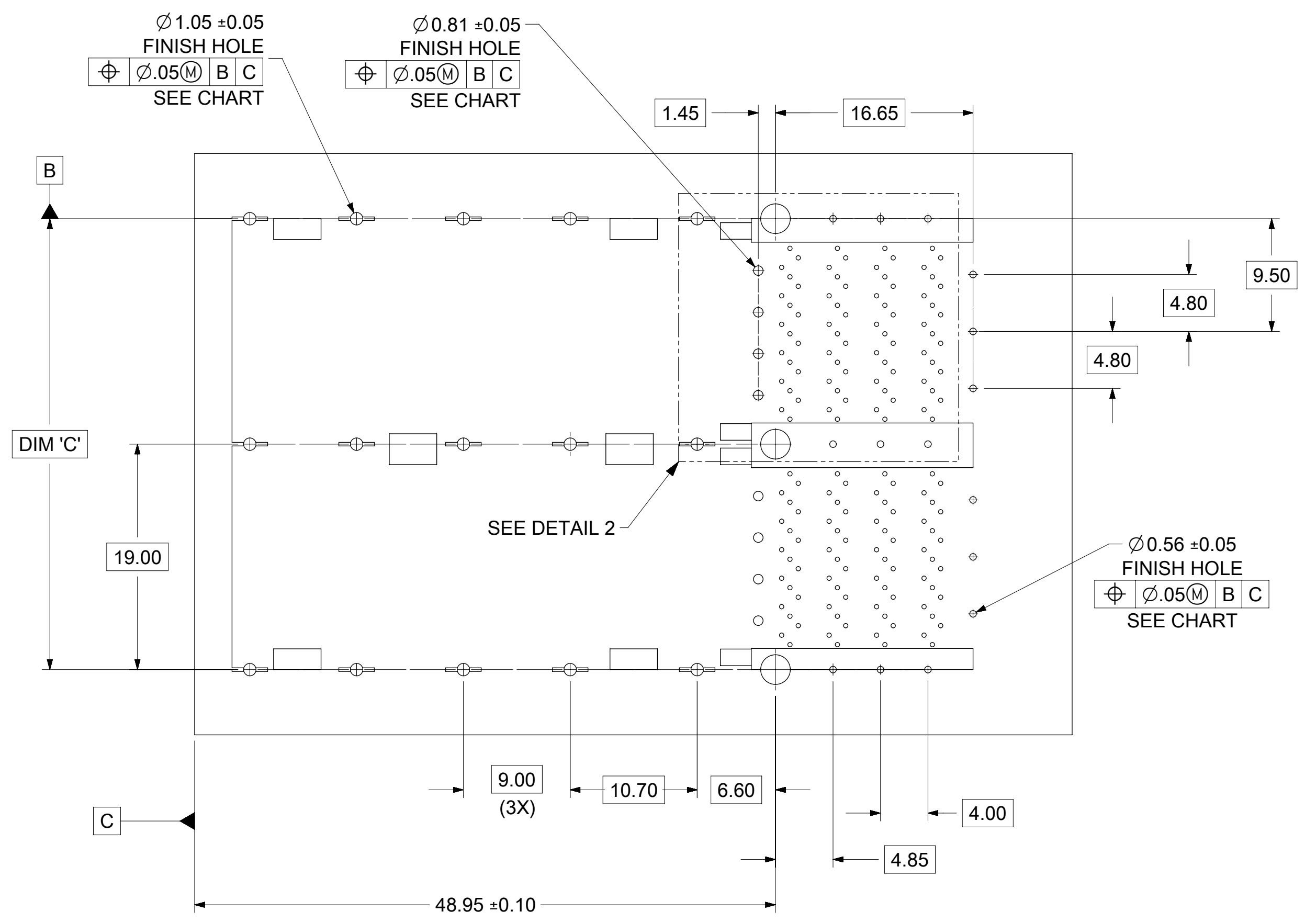
PRODUCT CUSTOMER DRAWING



DETAIL 3
LOWER PORT PIN ASSIGNMENTS UPPER PORT

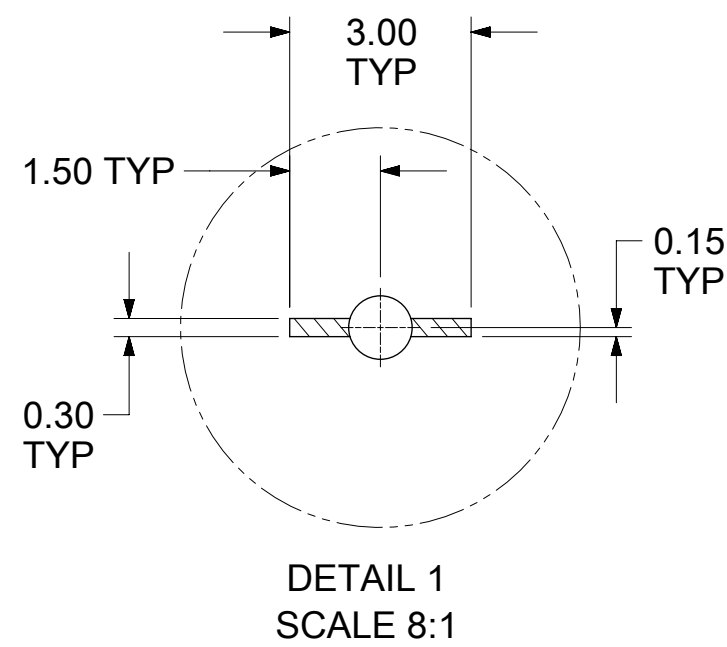
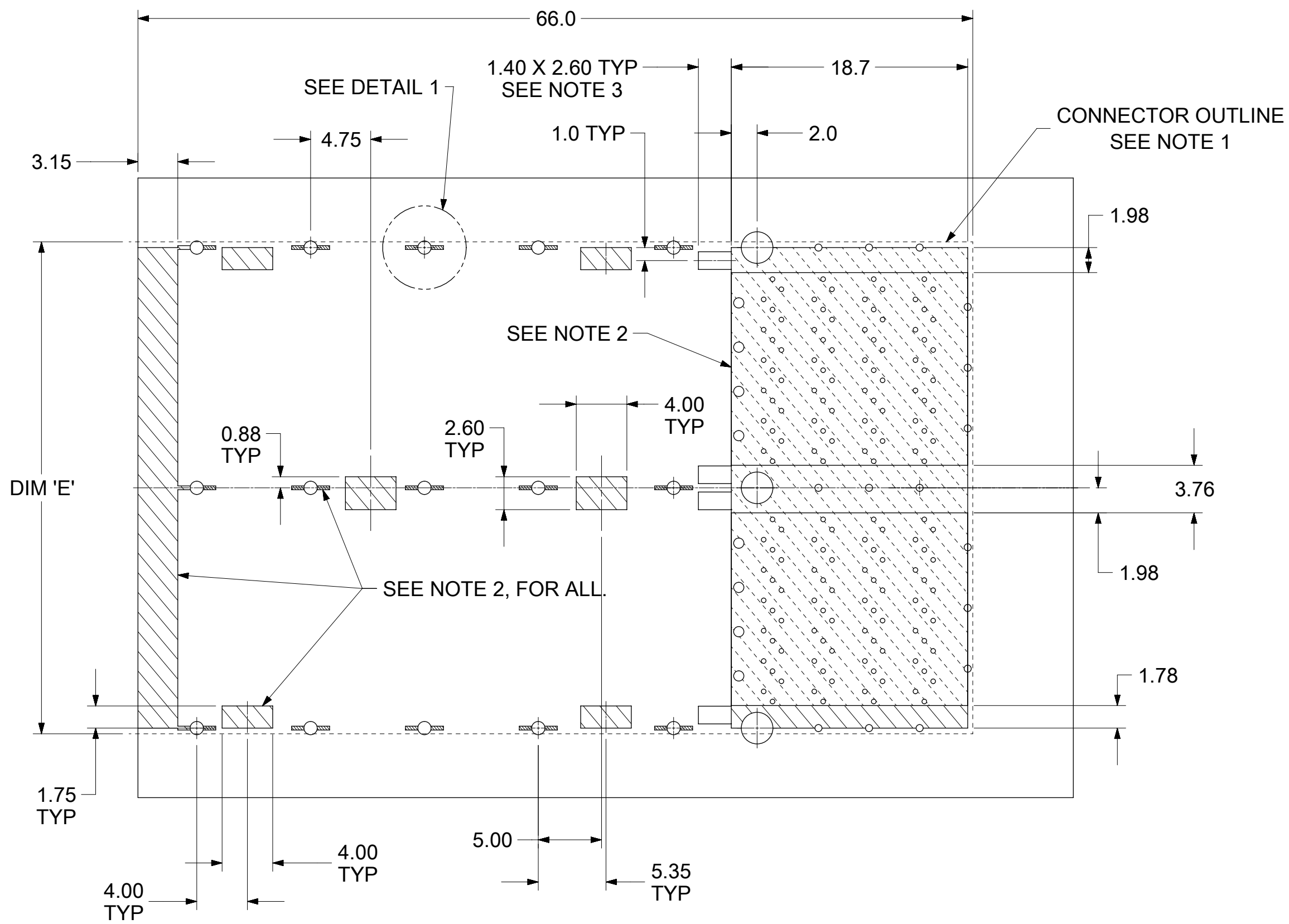


DETAIL 2
SCALE 5:1

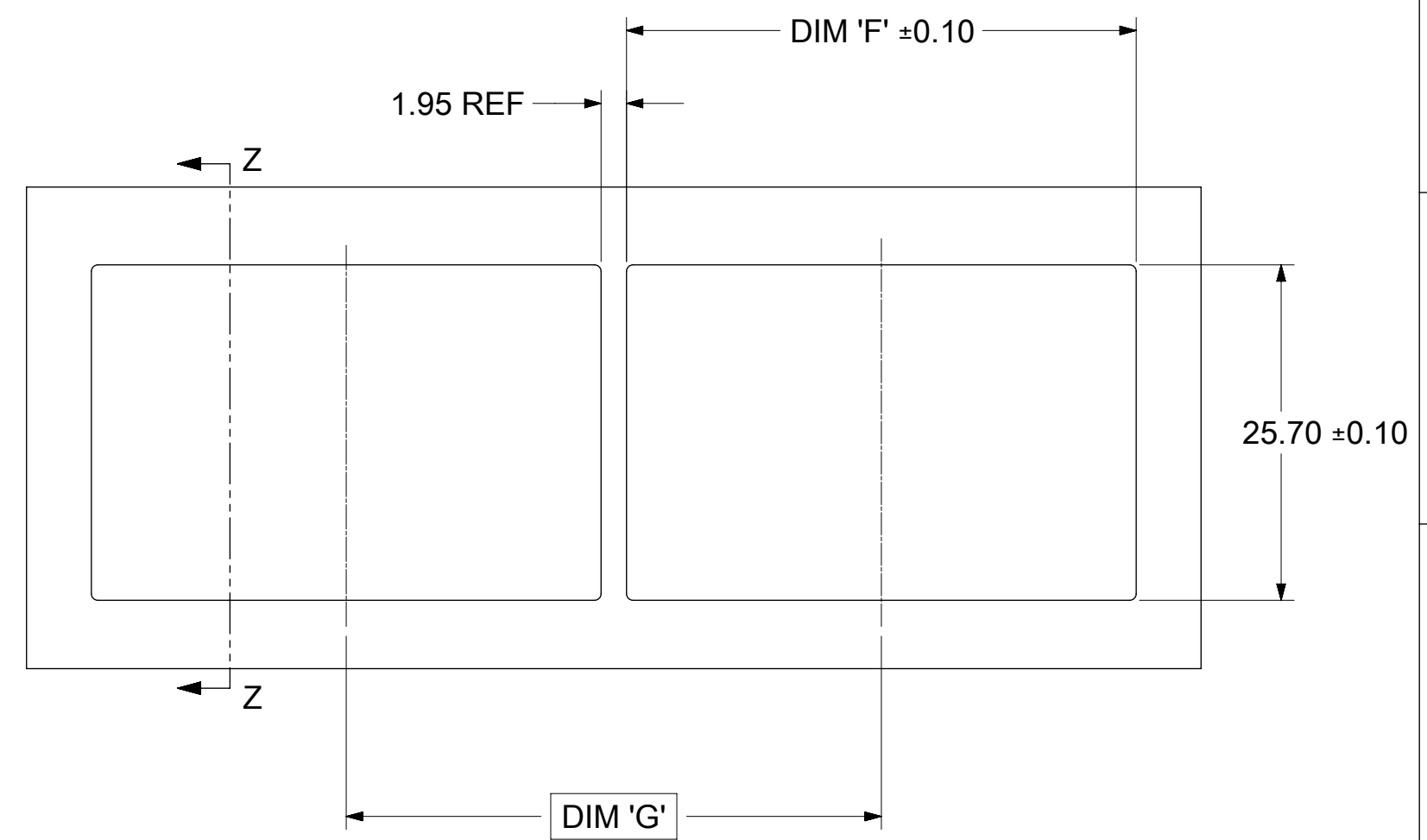


PORT SIZE	DIM 'C'	1.05Ø QUANTITY	0.56Ø QUANTITY	0.81Ø QUANTITY
2X1	19.00	10	9	4
2X2	38.00	15	15	8
2X3	57.00	20	21	12

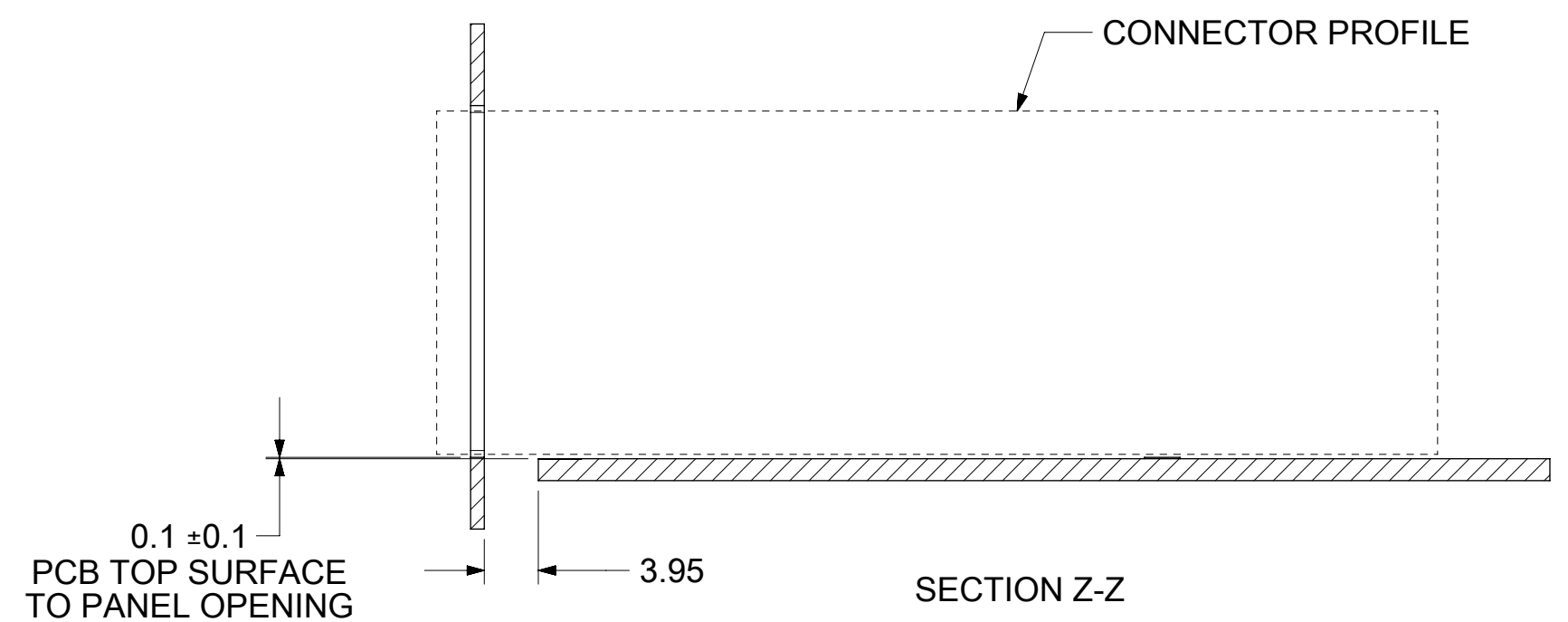
FUNCTIONAL SYMBOLS $\nabla_A = 0$ $\nabla_C = 0$ $\nabla_P = 0$	THIS DRAWING CONTAINS INFORMATION THAT IS PROPRIETARY TO MOLEX ELECTRONIC TECHNOLOGIES, LLC AND SHOULD NOT BE USED WITHOUT WRITTEN PERMISSION		CURRENT REV DESC: SEE REVISION TABLE.					
	DIMENSION UNITS	SCALE	 ZQSFP+ STACKED CONNECTOR WITH EMI SPRING FINGER PRODUCT CUSTOMER DRAWING					
	mm	3:1						
	GENERAL TOLERANCES (UNLESS SPECIFIED)							
ANGULAR TOL ± 0.5°								
DIVISIONAL SYMBOLS 4 PLACES ± 3 PLACES ± 2 PLACES ± 0.13 1 PLACE ± 0.25 0 PLACES ±	EC NO: 721228		2022/05/13					
	DRWN: DSHETTY01		2022/09/14					
	CHK'D: WAYNEL		2022/09/15					
	APPR: SYANG16							
DRAFT WHERE APPLICABLE MUST REMAIN WITHIN DIMENSIONS		THIRD ANGLE PROJECTION	DRAWING	SERIES	DOCUMENT NUMBER	DOC TYPE	DOC PART	REVISION
			C-SIZE	171722	1717222000	PSD	ASY	B6
DOCUMENT STATUS	P1	RELEASE DATE	2022/09/15	02:04:17	SEE P/N TABLE	GENERAL MARKET		SHEET NUMBER
								3 OF 5



PANEL OPENING AND CONNECTOR
SPACING RECOMMENDATIONS



PORT SIZE	DIM 'E'	DIM 'F'	DIM 'G'
2 X 1	19.9	20.05	22.00
2 X 2	38.9	39.05	41.00
2 X 3	57.9	58.05	60.00


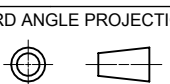


NOTES:

1. THE ENTIRE AREA UNDER THE CONNECTOR IS A KEEP OUT ZONE FOR COMPONENTS AND TRACES, TOP LAYER ONLY, EXCEPT FOR CHASSIS GROUND.
2. CROSS-HATCHED AREAS INDICATE PLACES WHERE THE PLASTIC HOUSING AND METAL CAGE MAY CONTACT PCB SURFACE. THESE AREAS ARE KEEP OUT ZONES. CROSS-HATCHED AREA UNDER THE CONNECTOR ARE TRACE AND VIA KEEP OUT AREAS FOR THE TOP LAYER.
3. THESE 2 RECTANGULAR ZONES ARE FOR LED PLACEMENT. LED HEIGHT SHOULD NOT EXCEED 0.8 AND PLACEMENT SHOULD BE CENTERED WITHIN THIS LED KEEP-IN ZONE.
4. RECOMMENDED LED CHIP PACKAGE SIZE IS 0805.

THIS DRAWING CONTAINS INFORMATION THAT IS PROPRIETARY TO MOLEX ELECTRONIC TECHNOLOGIES, LLC AND SHOULD NOT BE USED WITHOUT WRITTEN PERMISSION									
FUNCTIONAL SYMBOLS	DIMENSION UNITS	SCALE	CURRENT REV DESC: SEE REVISION TABLE.						
$\nabla_A = 0$	mm	2:1	<p>EC NO: 721228</p> <p>DRWN: DSHETTY01 2022/05/13</p> <p>CHK'D: WAYNEL 2022/09/14</p> <p>APPR: SYANG16 2022/09/15</p> <p>INITIAL REVISION:</p> <p>DRWN: JLIN47 2021/09/24</p> <p>APPR: SYANG16 2021/12/07</p>						
$\nabla_C = 0$	GENERAL TOLERANCES (UNLESS SPECIFIED)								
$\nabla_P = 0$	ANGULAR TOL ± 0.5°								
DIVISIONAL SYMBOLS	4 PLACES ±	3 PLACES ±	PRODUCT CUSTOMER DRAWING						
	2 PLACES ± 0.13	1 PLACE ± 0.25	DOCUMENT NUMBER				DOC TYPE	DOC PART	REVISION
	0 PLACES ±		1717222000				PSD	ASY	B6
DRAFT WHERE APPLICABLE MUST REMAIN WITHIN DIMENSIONS		THIRD ANGLE PROJECTION	DRAWING	SERIES	MATERIAL NUMBER	CUSTOMER	SHEET NUMBER		
			C-SIZE	171722	SEE P/N TABLE	GENERAL MARKET	4 OF 5		

REVISION HISTORY		
DATE	REV.	DESCRIPTION
2021/09/24	B	REMASTERED DRAWING FROM SD-171722-2000 PSD 001 TO 1717222000 PSD ASY SHEET 1: C07 : CHANGED THE DIMENSION 19.00 REF TO BASIC DIMENSION 19.00 B07 : CHANGED THE DIM B±0.30 TO BASIC DIM B
2021/10/21	B1	ADDED NEW P/N 1717221004 ADDED INSULATION VIEW IN SHEET 2 SHEET 1: A08 : ADDED 1717221004 IN BOM TABLE
2021/11/03	B2	UPDATED DATE CODE OF 1717221002 FROM LDDDYX TO DDDY
2021/12/07	B3	UPDATED DATE CODE OF 1717221002 FROM DDDY TO LDDDYX
2022/01/16	B4	CORRECTED VIEW SHEET 2: G07 : CORRECTED VIEW OF 1717221004
2022/05/12	B5	ADDED P/N 1717221005 TO DRAWING. SHEET 1: A09: ADDED 1717221005 P/N IN TABLE. H05: ADDED MATERIAL DETAILS OF INSULATION SHEET. SHEET 2: A12 : ADDED NOTES "COMMON DIMENSIONS FOR 1717221004 AND 1717221005".
2022/09/13	B6	REMOVED OLD FEATURE ON PCB LAYOUT

FUNCTIONAL SYMBOLS	THIS DRAWING CONTAINS INFORMATION THAT IS PROPRIETARY TO MOLEX ELECTRONIC TECHNOLOGIES, LLC AND SHOULD NOT BE USED WITHOUT WRITTEN PERMISSION										
	DIMENSION UNITS	SCALE	CURRENT REV DESC: SEE REVISION TABLE.								
$\frac{F}{A} = 0$	mm	1:1	EC NO: 721228 DRWN: DSHETTY01 2022/05/13 CHK'D: WAYNEL 2022/09/14 APPR: SYANG16 2022/09/15								
$\frac{F}{C} = 0$	GENERAL TOLERANCES (UNLESS SPECIFIED)									PRODUCT CUSTOMER DRAWING	
$\frac{F}{P} = 0$	ANGULAR TOL	± 0.5°	DOCUMENT NUMBER 1717222000		DOC TYPE	DOC PART	REVISION				
DIVISIONAL SYMBOLS	4 PLACES	±			PSD	ASY	B6				
	3 PLACES	±	INITIAL REVISION: DRWN: JLIN47 2021/09/24 APPR: SYANG16 2021/12/07		MATERIAL NUMBER SEE P/N TABLE		CUSTOMER GENERAL MARKET		SHEET NUMBER 5 OF 5		
	2 PLACES	± 0.13									
	1 PLACE	± 0.25	THIRD ANGLE PROJECTION 		DRAFTING C-SIZE		SERIES 171722				
	0 PLACES	±									
	DRAFT WHERE APPLICABLE MUST REMAIN WITHIN DIMENSIONS										

DOCUMENT STATUS	P1	RELEASE DATE	2022/09/15 02:04:17
-----------------	----	--------------	---------------------