

MATERIAL NO.	ENGINEERING NO.	FINISHED LENGTH
1300250513	DNDF99A-M010	1 M (3 FT 3.37 IN)
1300250333	DNDF99A-M030	3 M (9 FT 10.11 IN)
1300250515	DNDF99A-M050	5 M (16 FT 4.85 IN)

CABLE LENGTH TOLERANCES

<.3M [1FT]: +19mm-0 [+.75in-0]

.3 - .9M [1 - 3FT]: +44.5mm-0 [+1.75in-0]

.9 - 1.8M [3 - 6FT]: +55.6mm-0 [+2.19in-0]

1.8 - 3.7M [6 - 12FT]: +88.9mm-0 [+3.50in-0]

3.7 - 7.3M [12 - 24FT]: +165.1mm-0 [+6.50in-0]

7.3-14.6M [24 - 48FT]: +317.5mm-0 [+12.50in-0]

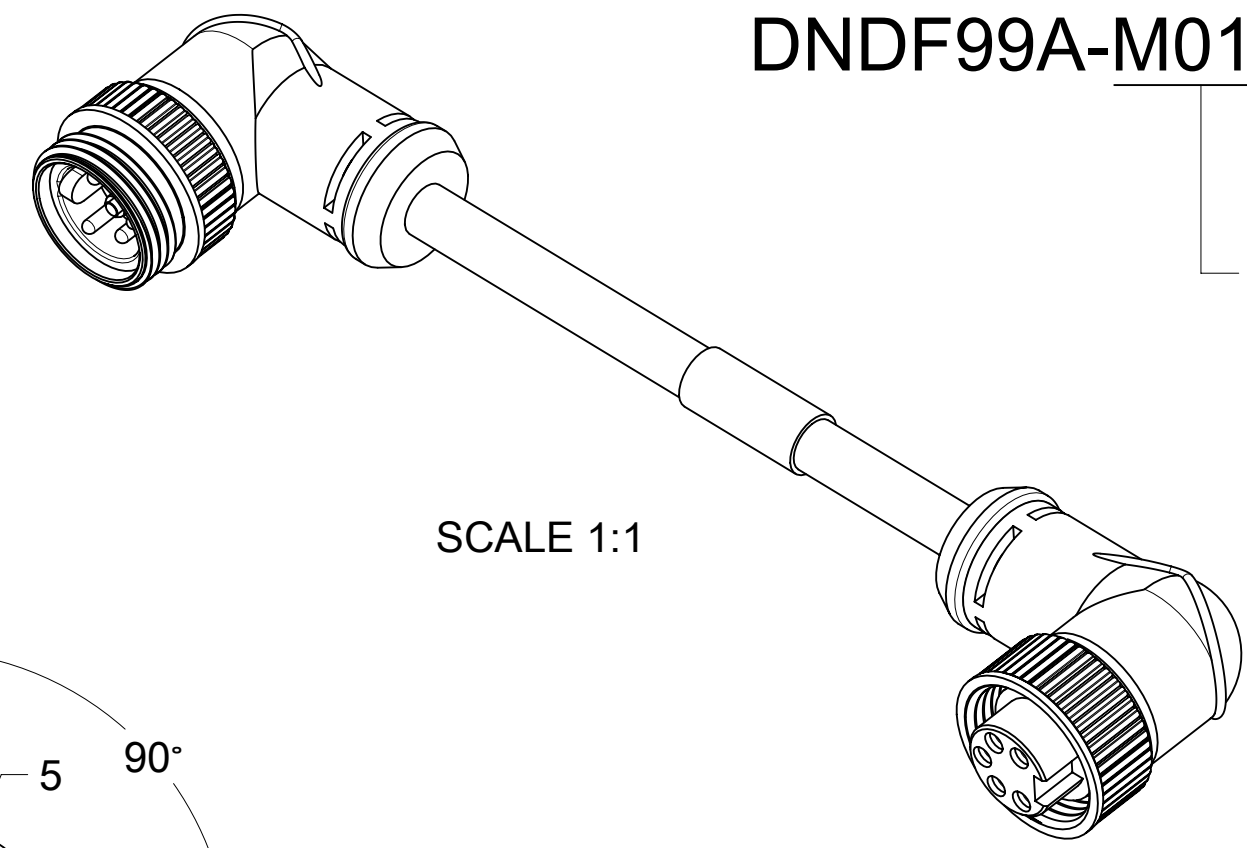
14.6 - 30.5M [48-100FT]: +622.3mm-0 [+24.50in-0]

OVER 30M [100FT] +2% OF FINISHED LENGTH

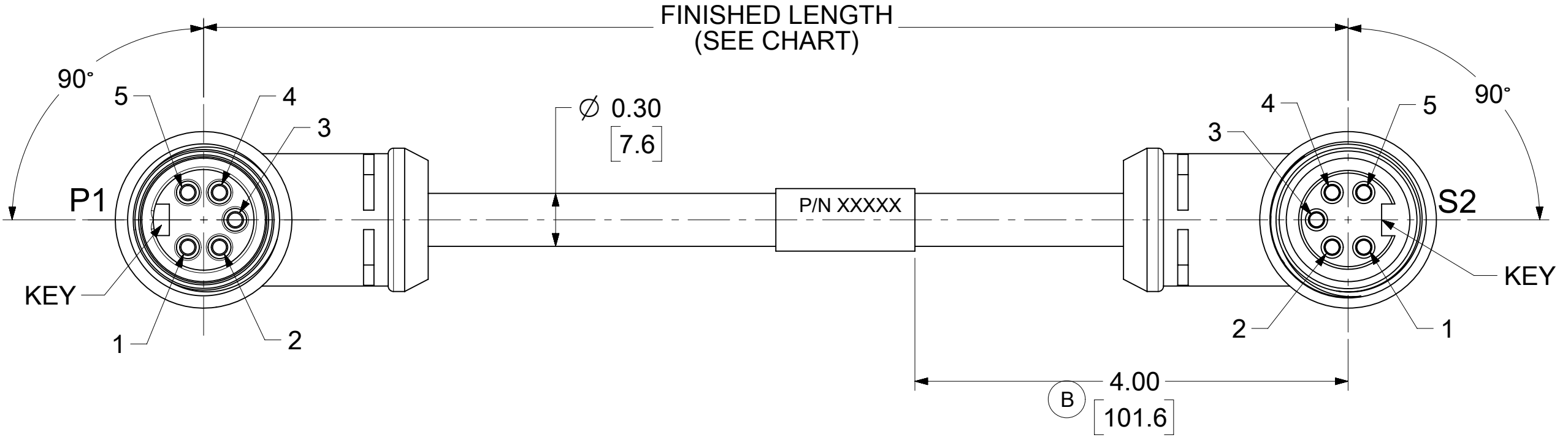
PART NUMBER LEGEND

DNDF99A-M010

FINISHED LENGTH
M005= 0.5 M
M010= 1 M
M100= 10M

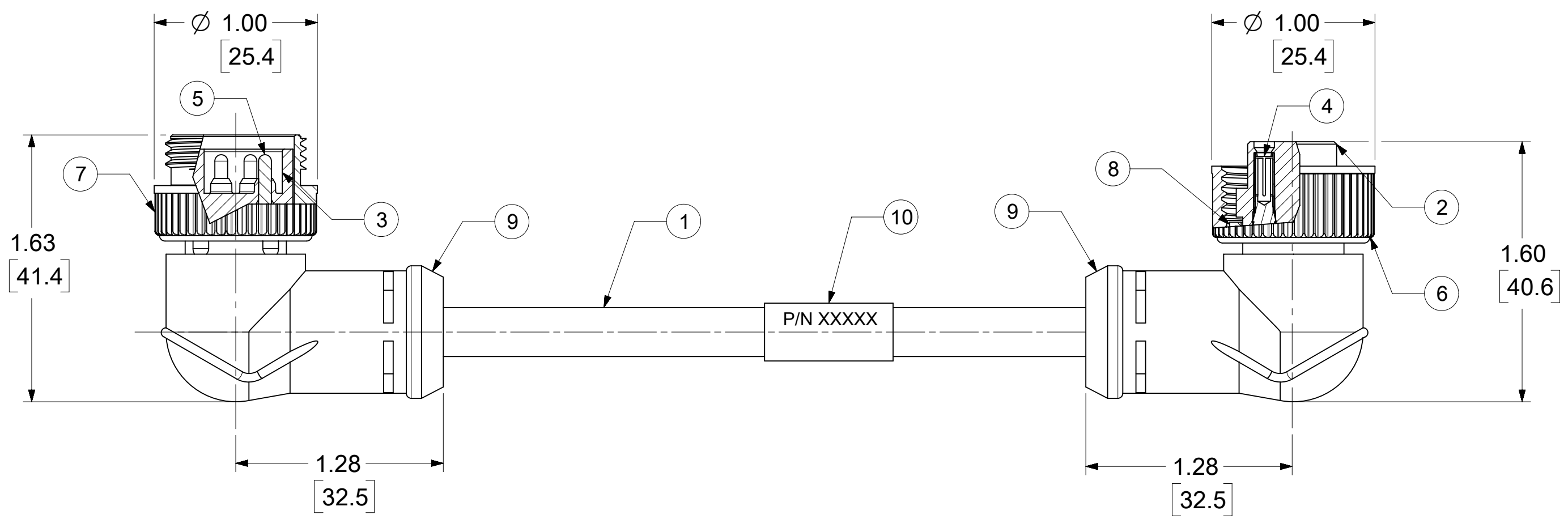


SCALE 1:1



WIRING DIAGRAM

P1		S2	
1	DRAIN	1	
2	RED +V	2	
3	BLACK -V	3	
4	WHITE CAN H	4	
5	BLUE CAN L	5	



- NOTES:**
1. MATERIAL: AS NOTED
 2. FINISH: AS NOTED
 3. ELECTRICAL:
VOLTAGE: 300V PER IEC60664
300V PER UL2238
 4. TEMP RATING: -20° TO +80°C
 5. PROTECTION: IP67 (WHEN MATED)
 6. COUPLING THREAD: 7/8-16UN
 7. CSA CERTIFIED FILE: LR6837
 8. ALL DIMENSIONS ARE FOR REFERENCE UNLESS TOLERANCED OR NOTED OTHERWISE

ITEM	DESCRIPTION	MATERIAL	FINISH
10	WRAP LABEL	VINYL	BLACK/YELLOW
9	OVERMOLD	TPE	GRAY
8	FRICTION RING	NYLON	WHITE
7	COUPLING NUT MALE	ZINC DIE CAST	BLACK E-COAT
6	COUPLING NUT FEMALE	ZINC DIE CAST	BLACK E-COAT
5	PIN CONTACT 22AWG	Cu ALLOY	GOLD OVER NICKEL
4	CONTACT SOCKET 22AWG	Cu ALLOY	GOLD OVER NICKEL
3	MALE INSERT	TPE	BLACK
2	FEMALE INSERT	TPE	BLACK
1	CABLE, DEV-NET, DROP, FLEX, 4/22	TPE JACKET	GRAY

FUNCTIONAL SYMBOLS FA = 0 FC = 0 FP = 0 DIVISIONAL SYMBOLS	THIS DRAWING CONTAINS INFORMATION THAT IS PROPRIETARY TO MOLEX ELECTRONIC TECHNOLOGIES, LLC AND SHOULD NOT BE USED WITHOUT WRITTEN PERMISSION		CURRENT REV DESC: ITEM #2,3,9 WERE PVC, UPDATED LABEL DIM. MATERIAL P/N TABLE, ADDED CSA, IEC VOLT, TEMP RATING, IP RATING, TOL. CHART & PART NUMBER LEGEND	
	DIMENSION UNITS mm	SCALE 1.5:1	EC NO: 711366 DRWN: AKABADI CHK'D: RSTONE APPR: BWOODMAN	
	GENERAL TOLERANCES (UNLESS SPECIFIED)		2021/10/13 2022/06/21 2022/06/24	molex
	4 PLACES ± 3 PLACES ± 2 PLACES ± 1 PLACE ± 0 PLACES ±	MM INCH ± ± ± ± ± ± ± ± ± ±	INITIAL REVISION: DRWN: RSTONE APPR: JFMURPHY	MINI-CHANGE DEVICENET CORDSET, A SIZE 5 POLE, MALE/FEMALE, 90 DEG, SINGLE KEY, 22AWG
DRAFT WHERE APPLICABLE MUST REMAIN WITHIN DIMENSIONS		THIRD ANGLE PROJECTION	DRAWING SERIES C-SIZE 130025	PRODUCT CUSTOMER DRAWING DOCUMENT NUMBER: SD-130025-024 DOC TYPE: PSD DOC PART: 001 REVISION: B
DOCUMENT STATUS: P1 RELEASE DATE: 2022/06/24 12:55:23		MATERIAL NUMBER: SEE TABLE CUSTOMER: GENERAL MARKET	SHEET NUMBER: 1 OF 1	