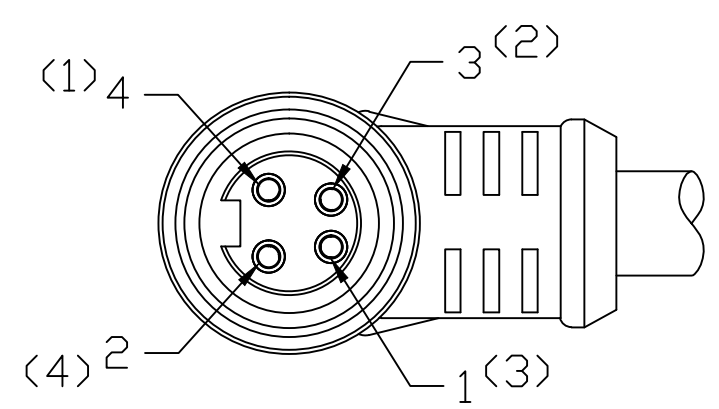
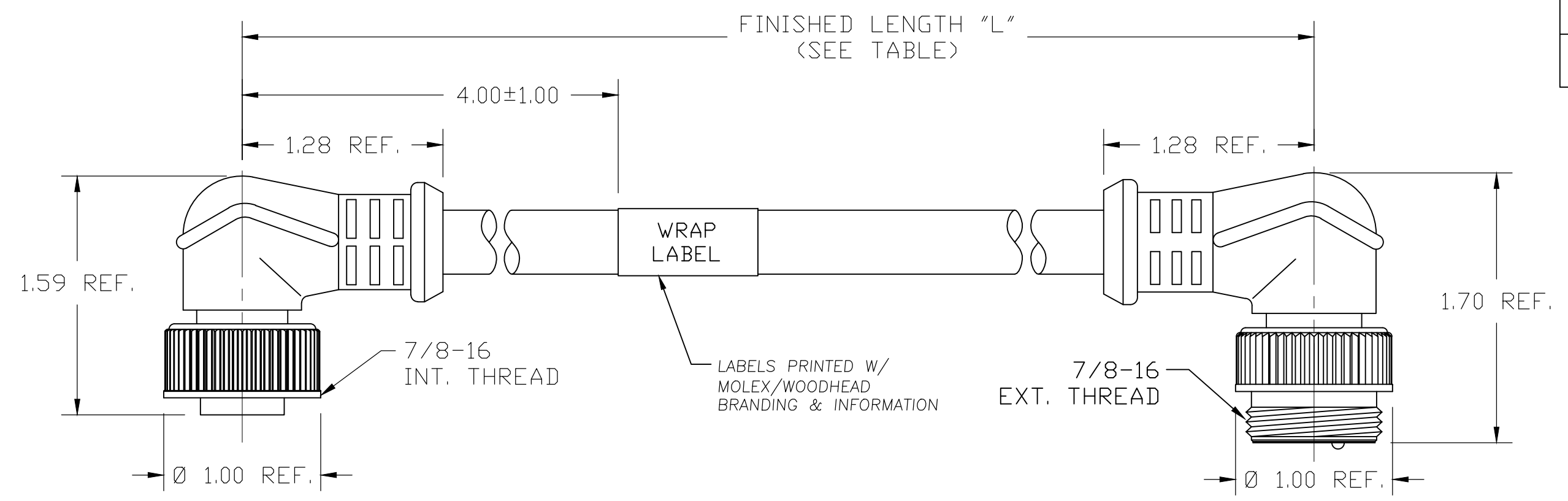


13	12	11	10	9	8	7	6	5	4	3	2	1
<b>MATERIAL NUMBER</b>	<b>OLD PART NUMBER</b>	<b>FINISHED LENGTH</b>										
130010-1823	114033A38M020	6.56' +3.50" -0 [2.0M +88.9mm -0]										

CENELEC EN 50 044 PINOUT SHOWN  
(SAE-J-1738A SHOWN IN PARENTHESIS)

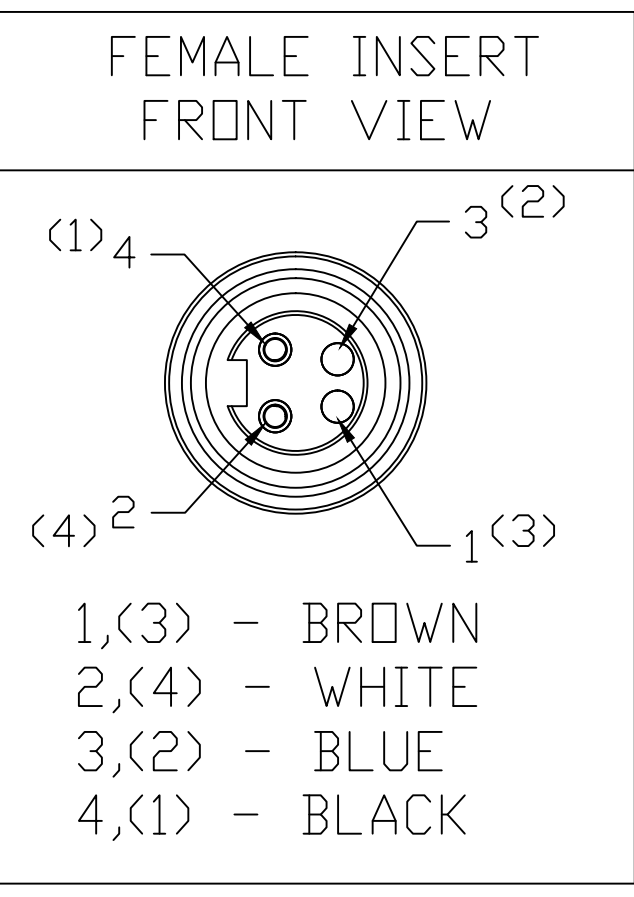
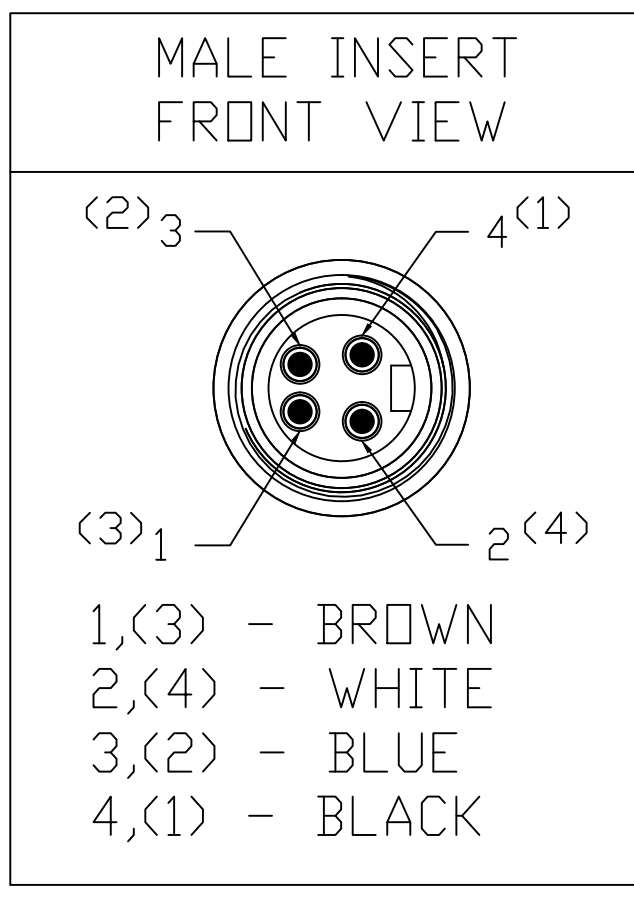
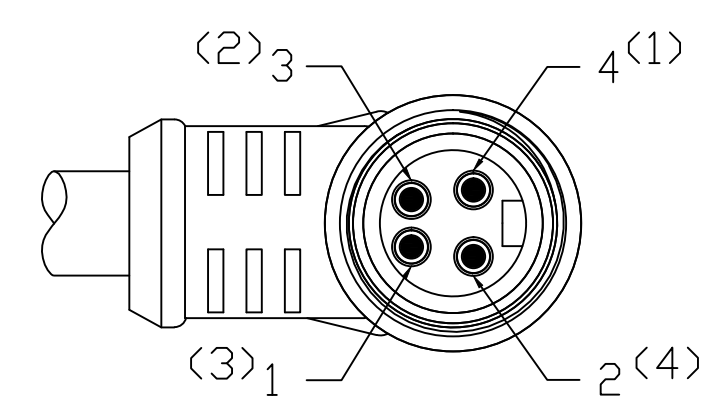
4 (1)	BLACK	4 (1)
3 (2)	BLUE	3 (2)
1 (3)	BROWN	1 (3)
2 (4)	WHITE	2 (4)



**114033A38M020**

Wire type  
16/4 AWG  
Yellow PVC

cable length  
M020----2 Meter  
M100----10 Meter



CONTACT:	GOLD/NICKEL OVER COPPER ALLOY
INSERT:	PVC, BLACK
COUPLING NUT:	ZINC DIE CAST, BLACK E-COATED
MOLDED BODY:	PVC, GRAY
VOLTAGE RATING:	600 VAC/VDC
AMPERAGE RATING:	10 AMPS
PROTECTION:	IP67
OPERATING TEMPERATURE:	-20°C TO 105°C

EC NO: ICG2013-1910 DRWN: EBRACKEN 2013/06/07 CH'KD: BWOODMAN APPR: BWOODMAN 2013/08/14 REV A	QUALITY SYMBOL ▽=0 ▽C=0	GENERAL TOLERANCES (UNLESS SPECIFIED) 4 PLACES ±--- ±--- 3 PLACES ±--- ±.005 2 PLACES ±0.13 ±.010 1 PLACE ±0.25 ±.020 ANGULAR ±.5°	DIMENSION STYLE INCH ONLY DRAWN BY DATE VOU 2012/01/19 CHECKED BY DATE BWOODMAN 2012/02/17 APPROVED BY DATE BWOODMAN 2013/08/14	SCALE 1:1 DESIGN UNITS INCH THIRD ANGLE PROJECTION	TITLE <b>MINI-CHANGE CORDSET          4P MALE/FEMALE 90/90          #16/4 TPE CABLE</b>	MOLEX INCORPORATED DOCUMENT NO. SD-130010-028 SHEET NO. 1 OF 1	
	DRAFT WHERE APPLICABLE MUST REMAIN WITHIN DIMENSIONS		MATERIAL NO. SEE CHART	THIS DRAWING CONTAINS INFORMATION THAT IS PROPRIETARY TO MOLEX INCORPORATED AND SHOULD NOT BE USED WITHOUT WRITTEN PERMISSION			
			SIZE C				