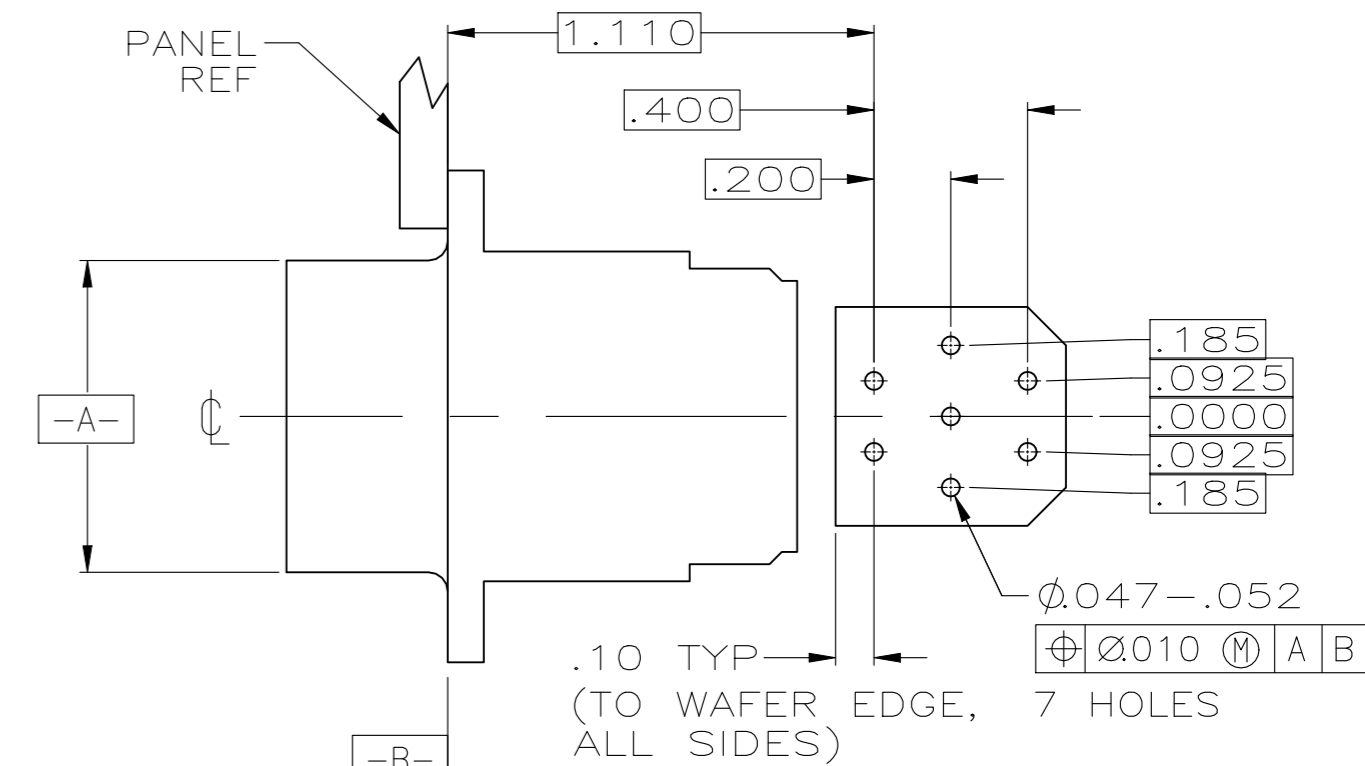
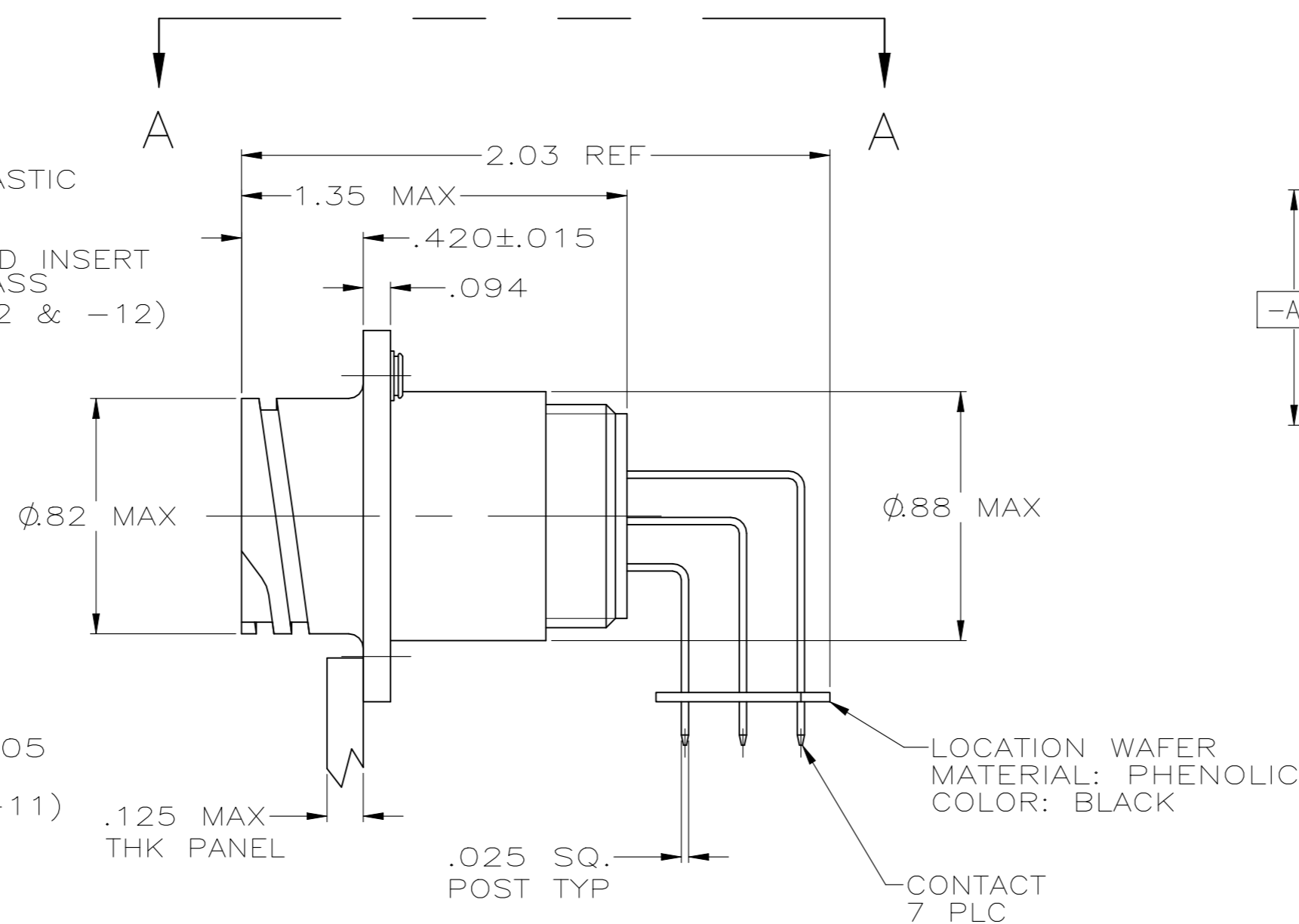
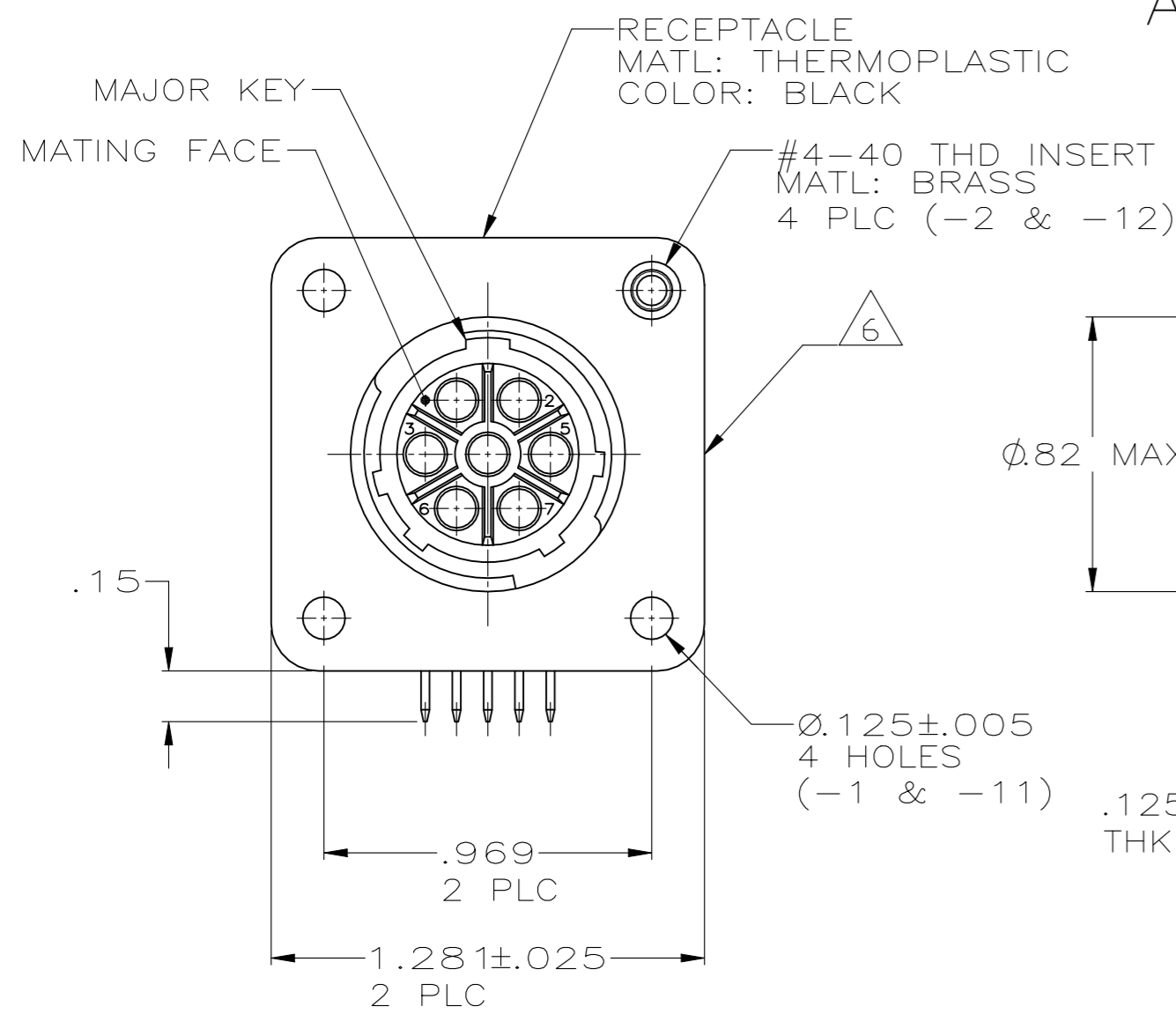
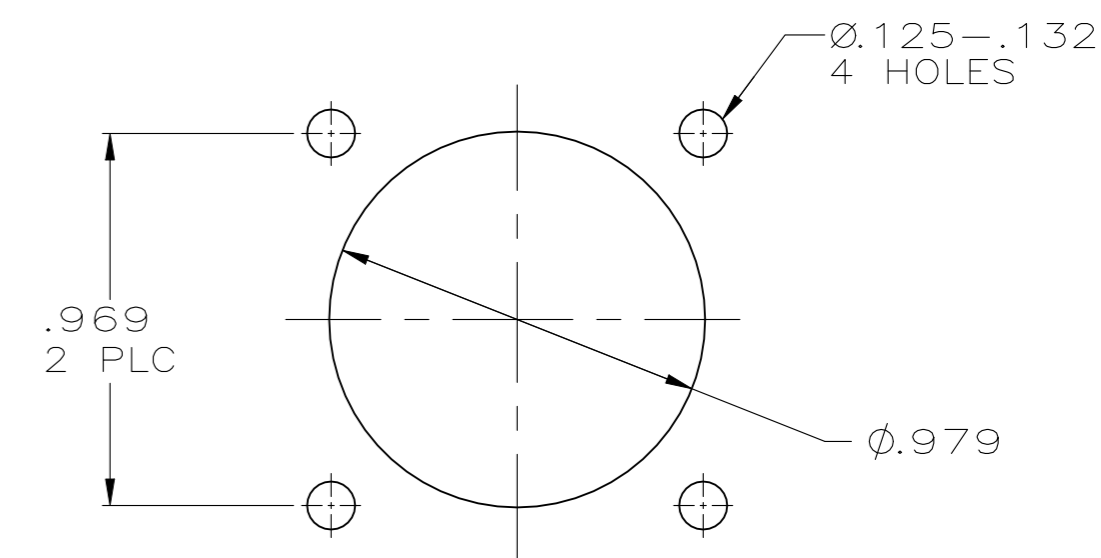


REVISIONS					
P	LTR	DESCRIPTION	DATE	DWN	APVD
E1		REVISED PER ECR-22-144105	29JUN2022	RK	MZ



VIEW A-A  $\Delta$   
RECOMMENDED PC BOARD LAYOUT



RECOMMENDED  
PANEL CUTOUT

- 1 CONTACT CAVITIES IDENTIFIED BY CHARACTERS ON FRONT AND REAR FACES OF CONNECTOR.
- 2 #4 FASTENER RECOMMENDED FOR -1 MOUNTING.  
#4 FASTENER REQUIRED FOR -2 MOUNTING.
- $\Delta$ 3 CONTACT BODY: .000030 MIN GOLD FOR A LENGTH OF .250 MIN FROM MATING END, WITH REMAINDER TO BE GOLD FLASH, BOTH OVER .000050 MIN NICKEL.  
CONTACT POST: .000100 MIN TIN-LEAD OVER .000050 MIN NICKEL.
- $\Delta$ 4 PC BOARD HOLE PATTERN IS DEFINED RELATIVE TO CONNECTOR C.L. AND PANEL MOUNTING FACE INDICATED.
- $\Delta$ 5 CONTACT BODY: .000030 MIN GOLD FOR A LENGTH OF .250 MIN FROM MATING END, WITH REMAINDER TO BE GOLD FLASH, BOTH OVER .000050 MIN NICKEL.  
CONTACT POST: .000100 MIN TIN OVER .000050 MIN NICKEL.

$\Delta$ 6 TE LOGO AND PART NUMBER LOCATED ON ANY FLANGE EDGE

	$\Delta$ 5	W/INSERTS	1-796435-2
	$\Delta$ 5	W/O INSERTS	1-796435-1
OBSOLETE	$\Delta$ 3	W/INSERTS	<del>796435-2</del>
	$\Delta$ 3	W/O INSERTS	796435-1
CONTACT FINISH		CONFIG.	PART NUMBER

THIS DRAWING IS A CONTROLLED DOCUMENT.		DWN	HAMNER	2-19-00		TE Connectivity																				
DIMENSIONS: INCHES		CHK	M.CHACKO	2-23-00		NAME																				
TOLERANCES UNLESS OTHERWISE SPECIFIED:		APVD	M.CHACKO	2-23-00		RECEPTACLE ASSY, POSTED, RT ANGLE, STD SEX, SIZE 13-7, SERIES 1, CPC																				
<table border="1"> <tr><td>0 PLC</td><td>±</td><td>-</td></tr> <tr><td>1 PLC</td><td>±</td><td>-</td></tr> <tr><td>2 PLC</td><td>±</td><td>.03</td></tr> <tr><td>3 PLC</td><td>±</td><td>.010</td></tr> <tr><td>4 PLC</td><td>±</td><td>-</td></tr> <tr><td>ANGLES</td><td>±</td><td>-</td></tr> </table>		0 PLC	±	-		1 PLC	±	-	2 PLC	±	.03	3 PLC	±	.010	4 PLC	±	-	ANGLES	±	-	PRODUCT SPEC			SIZE	CAGE CODE	DRAWING NO
0 PLC	±	-																								
1 PLC	±	-																								
2 PLC	±	.03																								
3 PLC	±	.010																								
4 PLC	±	-																								
ANGLES	±	-																								
MATERIAL	FINISH	WEIGHT	-		A2	00779	C=796435	-																		
CUSTOMER DRAWING					SCALE	2:1	SHEET	1 OF 1	REV	E1																