

THIS DRAWING IS UNPUBLISHED.

RELEASED FOR PUBLICATION

© COPYRIGHT - By -

ALL RIGHTS RESERVED.

LOC FT DIST 0

REVISIONS

| P | LTR | DESCRIPTION               | DATE    | DWN | APVD |
|---|-----|---------------------------|---------|-----|------|
|   | F2  | REVISED PER ECO-11-004820 | 11MAR11 | RK  | HMR  |

PHYSICAL PROPERTIES:

HOUSING MATERIAL: PBT  
FLAMMABILITY: UL94V-0  
COLOR: BLACK

TERMINAL:

TERMINALS: BRASS, TIN PLATED  
SCREWS: 8-32 STEEL, NICKEL PLATED

MECHANICAL:

PITCH (TERMINAL SPACING): .563"  
WIRE RANGE: 10-22 AWG  
RECOMMENDED TIGHTENING TORQUE: 14IN-LBS MAX.

ELECTRICAL PROPERTIES:

MAXIMUM CURRENT: 30A  
OPERATING VOLTAGE: 300V

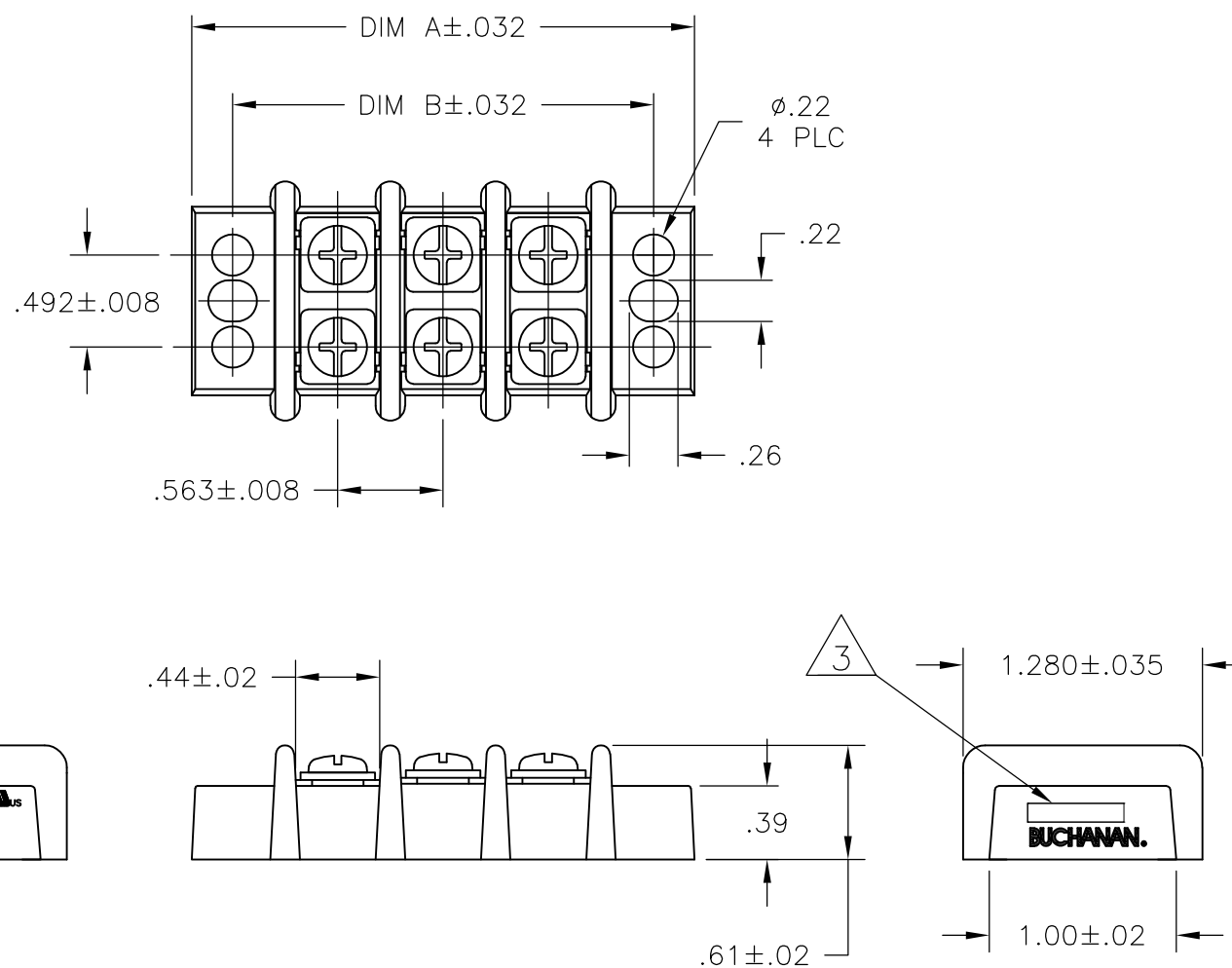
ENVIRONMENTAL PROPERTIES:

OPERATING TEMP RANGE: -40°C TO 120°C

1 PARTS SUPPLIED WITH SCREWS UNINSTALLED.

2 PRELIMINARY PART NUMBER.

3 TE CONNECTIVITY LOGO LOCATED APPROXIMATE AREA SHOWN.



|        |        |             |                   |
|--------|--------|-------------|-------------------|
| 10.701 | 11.138 | 18          | 1-1546311-8       |
| 10.138 | 10.575 | 17          | 1-1546311-7       |
| 9.575  | 10.012 | 16          | 1-1546311-6       |
| 9.012  | 9.449  | 15          | 1-1546311-5       |
| 8.449  | 8.886  | 14          | 1-1546311-4       |
| 7.886  | 8.323  | 13          | 1-1546311-3       |
| 7.323  | 7.760  | 12          | 1-1546311-2       |
| 6.760  | 7.197  | 11          | 1-1546311-1       |
| 6.197  | 6.634  | 10          | 1-1546311-0       |
| 5.634  | 6.071  | 9           | 2-1546311-1       |
| 5.634  | 6.071  | 9           | 1546311-9         |
| 5.071  | 5.508  | 8           | 2-1546311-0       |
| 5.071  | 5.508  | 8           | 1546311-8         |
| 4.508  | 4.945  | 7           | 1546311-7         |
| 3.945  | 4.382  | 6           | 1546311-6         |
| 3.382  | 3.819  | 5           | 1546311-5         |
| 2.819  | 3.256  | 4           | 1-1546311-9       |
| 2.819  | 3.256  | 4           | 1546311-4         |
| 2.256  | 2.693  | 3           | 1546311-3         |
| 1.693  | 2.130  | 2           | 1546311-2         |
| DIM B  | DIM A  | NO. OF POSN | BUCHANAN PART NO. |

|  |  |                          |   |                      |
|--|--|--------------------------|---|----------------------|
| THIS DRAWING IS A CONTROLLED DOCUMENT. |  | DWN S SCHLEGEL 20AUG2002 | <b>STE</b> TE Connectivity                |                      |
| DIMENSIONS: INCHES                     |  | CHK C RICHARD 8/20/02    |   |                      |
| TOLERANCES UNLESS OTHERWISE SPECIFIED: |  | APVD C RICHARD 8/20/02   | NAME .563 DBL ROW BARRIER STRIP W/ WASHER |                      |
| 0 PLC ± -                              |  | PRODUCT SPEC -           | SIZE A3                                   |                      |
| 1 PLC ± -                              |  | APPLICATION SPEC -       | CAGE CODE 00779                           | DRAWING NO C-1546311 |
| 2 PLC ± .01                            |  | WEIGHT -                 | RESTRICTED TO -                           |                      |
| 3 PLC ± .005                           |  | CUSTOMER DRAWING         | SCALE NTS                                 | SHEET 1 OF 1         |
| 4 PLC ± -                              |  |                          |   | REV F2               |
| ANGLES ± -                             |  |                          |   |                      |
| FINISH -                               |  |                          |   |                      |