

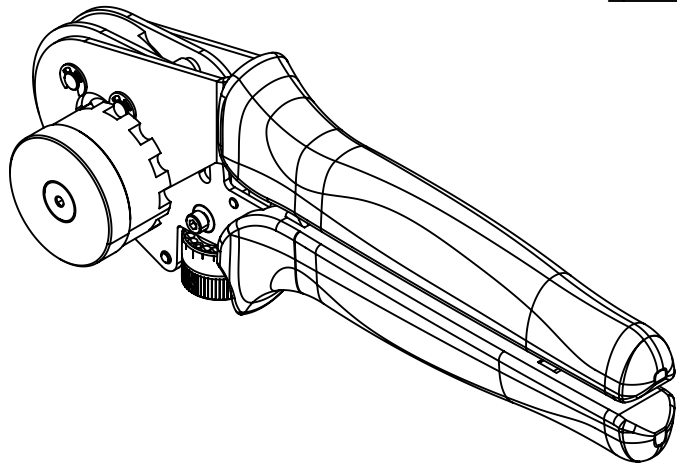
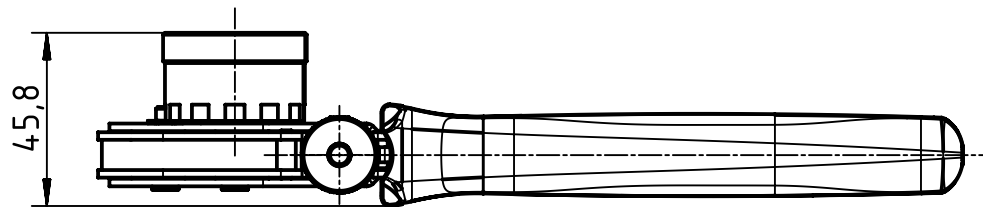
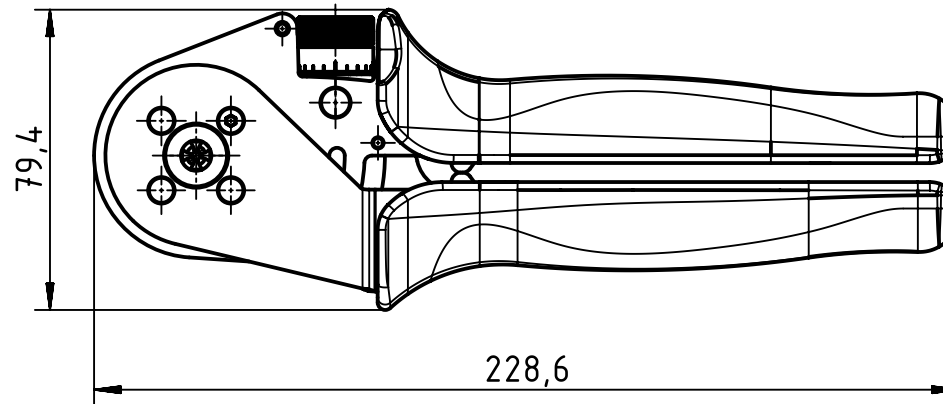
1 2 3 4 5 6


A

B

C

D



	All rights reserved Department EL PD - DE HARTING Electric GmbH & Co. KG D-32339 Espelkamp	All Dimensions in mm Original Size DIN A4		Scale 1:2	Free size tol.	Ref. Sub.
		Created by FINKEV	Inspected by RIEPE	Standardisation TIEMANNA	Date 2017-09-08	State Final Release
Title Han M23 Crimping tool for power contacts						Doc-Key / ECM-Nr. 100739794/UGD/001/A 500000125031
Type TB				Number 09 99 000 0896		Rev. A
						Page 1/1