

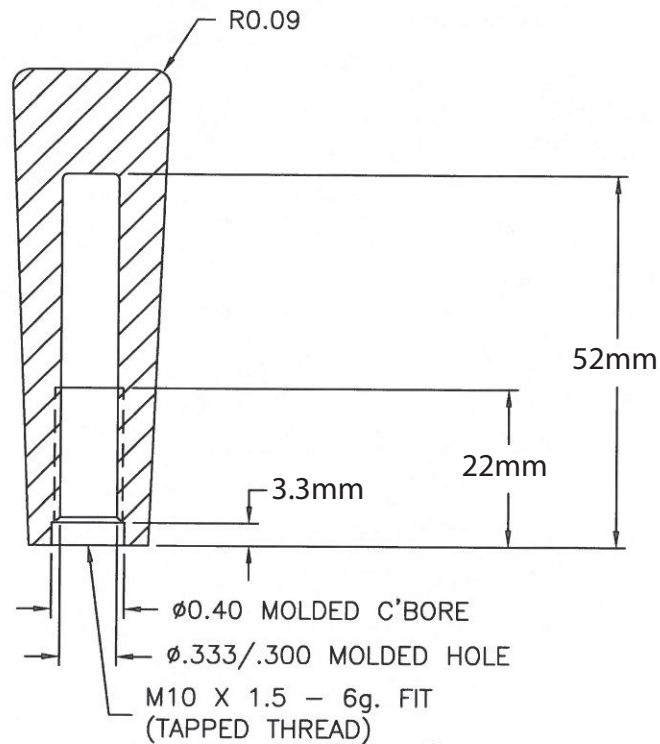
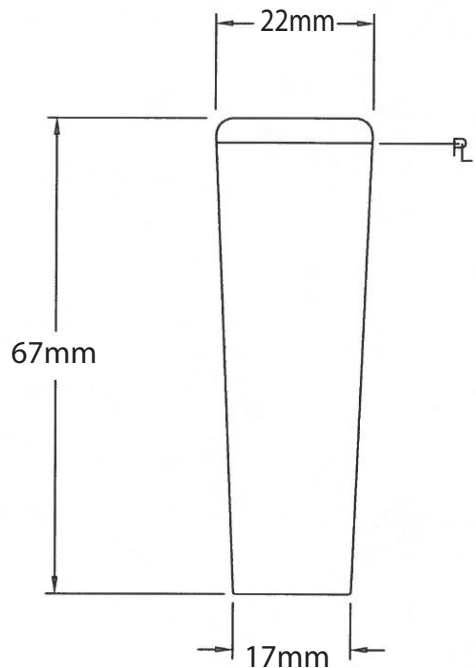
PART NAME: HANDLE SCALE: 1:1 DATE: 5/10/95 DR. BY HD

DAVIES MOLDING COMPANY
CAROL STREAM, ILLINOIS 60188

P/N 0692CQ

BASE PART 0692-01

THIS DRAWING IS THE PROPERTY OF DAVIES MOLDING COMPANY, IS SUBMITTED SOLELY AS A DESIGN OR ENGINEERING PROJECT. WE ACCEPT NO RESPONSIBILITY WHATSOEVER FOR THE PRACTICAL APPLICATION OF THE PIECES MADE TO THIS DESIGN.



Ⓐ

NOTE : MAKE SURE USE STD. TAP ONLY.
O/S TAP NOT PERMITTED.

(TOOL ORDER # 5603)

MATERIAL: G.P. PHENOLIC (B11)
COLOR: BLACK

TOLERANCES: UNLESS OTHERWISE SPECIFIED	DO NOT SCALE DRAWING		
DECIMALS: X.XXX ± .005 X.XX ± .015	MM: X.XX ± 0.15MM X.X ± 0.4MM	-	UPDATED TOOLBOX JAM 1/17/03
FRACTIONS ± 1/64	ANG. ± 1°	A	CLASS OF FIT AND NOTE ADDED. HD 6/6/95
CHANGES			