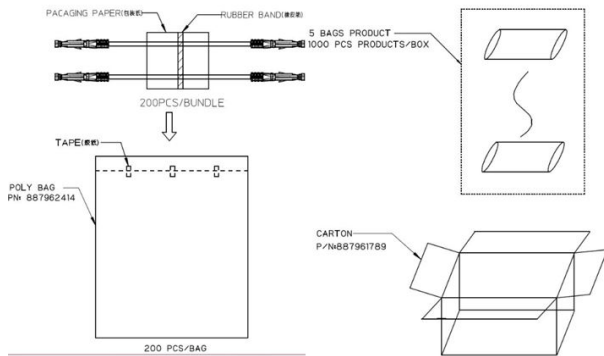


Product Change Notification (PCN)

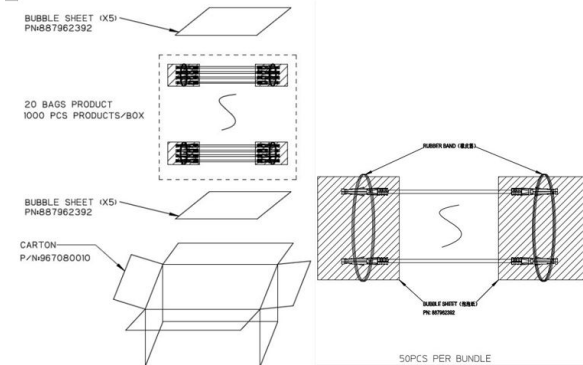
PCN Number	500736	Date Issued	April 07, 2016
Product Family	Please refer to the full part list attachment for details.		
Series	Please refer to the full part list attachment for details.		
Reason for Change	Packaging Method/Quantity Changing		
Change Type Description	This letter is to inform you that the part(s) referenced in this notice will undergo packaging specification changes that may include new container sizes and quantities. No changes will be made to the product as a result of the packaging change.		
Assessment of Change	Product will be fully qualified before it is shipped. Qualification reports are available upon request.		
Internal Molex Qualification Date	April 15, 2016		
Sample Availability Date (Changed Part)	April 15, 2016		
Planned Implementation Date	September 17, 2016		

RELEASED

Before Change



After Change





Product Change Notification (PCN)

You may address any technical inquiries regarding this PCN by sending E-mail to pcn_coordinator@molex.com or your Local Sales Engineer.

Note: While responding, please retain "**PCN Notification:500736**" in the e-mail Subject line for faster response.

RELEASED

Molex, LLC
2222 Wellington Court
Lisle, IL 60532
TEL: 630-969-4747
www.molex.com