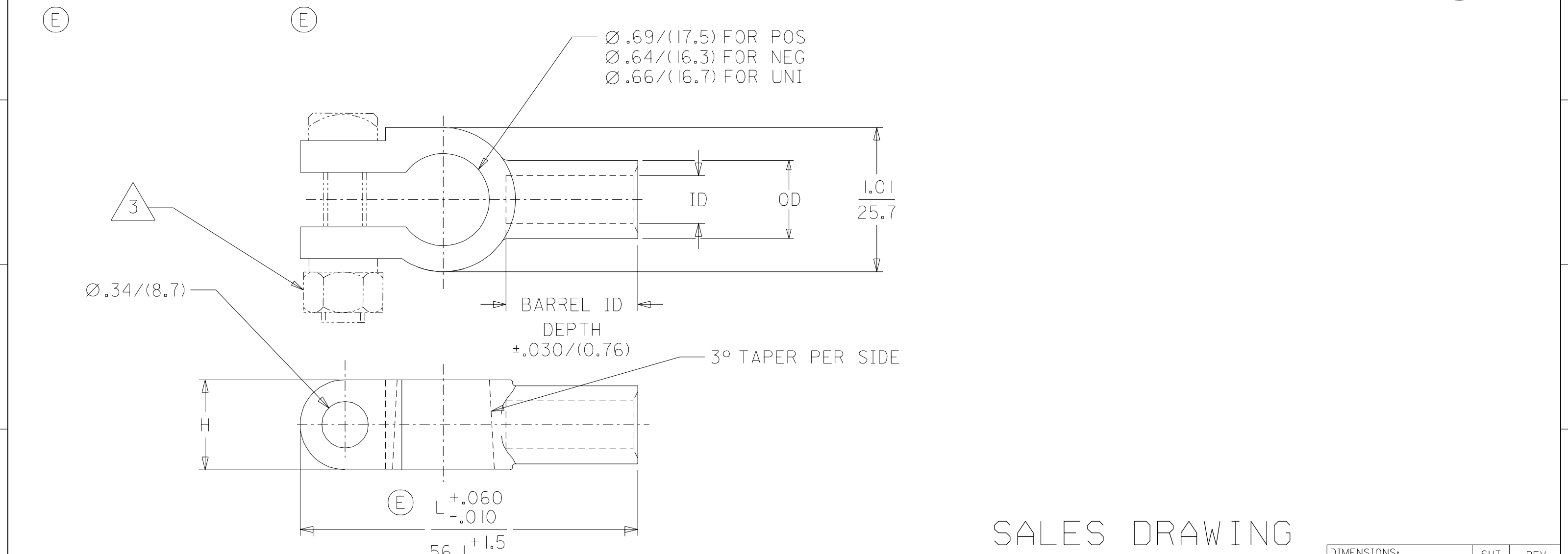


| 10                       | 9                           | 8                        | 7                           | 6                         | 5                            | 4          | 3           | 2          | 1          |                 |            |             |
|--------------------------|-----------------------------|--------------------------|-----------------------------|---------------------------|------------------------------|------------|-------------|------------|------------|-----------------|------------|-------------|
| MATERIAL NUMBER NEGATIVE | ENGINEERING NUMBER NEGATIVE | MATERIAL NUMBER POSITIVE | ENGINEERING NUMBER POSITIVE | MATERIAL NUMBER UNIVERSAL | ENGINEERING NUMBER UNIVERSAL | WIRE GAUGE | COLOR CRIMP | BARREL ID  | BARREL OD  | BARREL ID DEPTH | H          | L           |
| ---                      | ---                         | ---                      | ---                         | 192180108                 | SBT6U                        | 6          | GRY         | .22/(5.6)  | .45/(11.4) | .97/(24.6)      | .53/(13.5) | 2.38/(60.5) |
| 192180102                | SBT4N                       | 192180104                | SBT4P                       | 192180106                 | SBT4U                        | 4          | GRY         | .26/(6.6)  | .45/(11.4) | .97/(24.6)      | .53/(13.5) | 2.38/(60.5) |
| 192180096                | SBT1N                       | 192180098                | SBT1P                       | 192180100                 | 19218-0100                   | 2          | GRN         | .34/(8.6)  | .55/(14.0) | .94/(23.9)      | .65/(16.5) | 2.37/(60.2) |
| 192180231                | 3001-055N                   | 192180232                | 3001-055P                   | 192180233                 | SBT40NMI                     | 1          | PINK        | .39/(9.9)  | .55/(14.0) | .94/(23.9)      | .65/(16.5) | 2.37/(60.2) |
| 192180110                | SBT10N                      | 192180112                | SBT10P                      | ---                       | ---                          | 1/0        | BLK         | .47/(11.9) | .65/(16.5) | .94/(23.9)      | .65/(16.5) | 2.40/(61.0) |
| 192180114                | SBT20N                      | 192180116                | SBT20P                      | ---                       | ---                          | 2/0        | ORG         | .50/(12.8) | .65/(16.5) | .94/(23.9)      | .65/(16.5) | 2.40/(61.0) |
| 192180118                | SBT30N                      | 192180120                | SBT30P                      | ---                       | ---                          | 3/0        | PUR         | .53/(13.5) | .65/(16.5) | .94/(23.9)      | .65/(16.5) | 2.40/(61.0) |
| 192180122                | SBT40N                      | 192180124                | SBT40P                      | ---                       | ---                          | 4/0        | YEL         | .62/(17.7) | .83/(21.1) | .94/(23.9)      | .71/(18.0) | 2.38/(60.5) |



# SALES DRAWING

- NOTES:
1. MATERIAL: 131 COPPER.
  2. FINISH: TIN PLATED.
  3. INCLUDES 5/16 BOLT & SHOULDER NUT.

|  |  |  |                    |  |  |  |  |     |     |
|--|--|--|--------------------|--|--|--|--|-----|-----|
| DIM CHG/VENDOR<br>EC NO. ETC2003-0166<br>DRWN: BRE 03/01/03<br>CHK: HEB 03/01/03<br>APPR: RWD 03/01/03 | QUALITY SYMBOLS                                      | GENERAL TOLERANCES: (UNLESS SPECIFIED) |                    | SCALE NO: NE   | DESIGN UNITS   | THIRD ANGLE PROJECTION   | DIMENSIONS:  | SHT | REV |
|  | MAJOR $\nabla=0$                                     | mm                                     | INCH               | NO: NE   | <input type="checkbox"/> mm <input checked="" type="checkbox"/> INCH | <input type="checkbox"/> mm <input checked="" type="checkbox"/> INCH | <input type="checkbox"/> mm <input checked="" type="checkbox"/> INCH |     |     |
|  | CRITICAL $\nabla C=0$                                | 4 PLACES $\pm 0.$                      | $\pm .$            | DRAWN BY & DATE  | TITLE: STANDARD BATTERY TERMINAL TOP POST                            |  |  |     |     |
|  |  | 3 PLACES $\pm 0.$                      | $\pm .$            | CHECKED BY & DATE  | MOLEX INCORPORATED   |  |  |     |     |
|  | 2 PLACES $\pm 0.$                                    | $\pm 0.10$                             | APPROVED BY & DATE | MATERIAL NO. SEE CHART   |  |  |  |     |     |
|  | 1 PLACE $\pm 0.25$                                   | $\pm .$                                | RWD 98/12/14       | DRAWING NO. SD-19218-001   |  |  |  |     |     |
|  | ANGULAR: $\pm 1/2^\circ$                             |  | CAD FILENAME       | SHEET NO. 1 OF 1   |  |  |  |     |     |
|  | DRAFT WHERE APPLICABLE MUST REMAIN WITHIN DIMENSIONS |  | SD-19218-001.DGN   | THIS DRAWING CONTAINS INFORMATION THAT IS PROPRIETARY TO MOLEX INCORPORATED AND SHOULD NOT BE USED WITHOUT WRITTEN PERMISSION. |  |  |  |     |     |
|  |  |  |                    | SIZE B   |  |  |  |     |     |