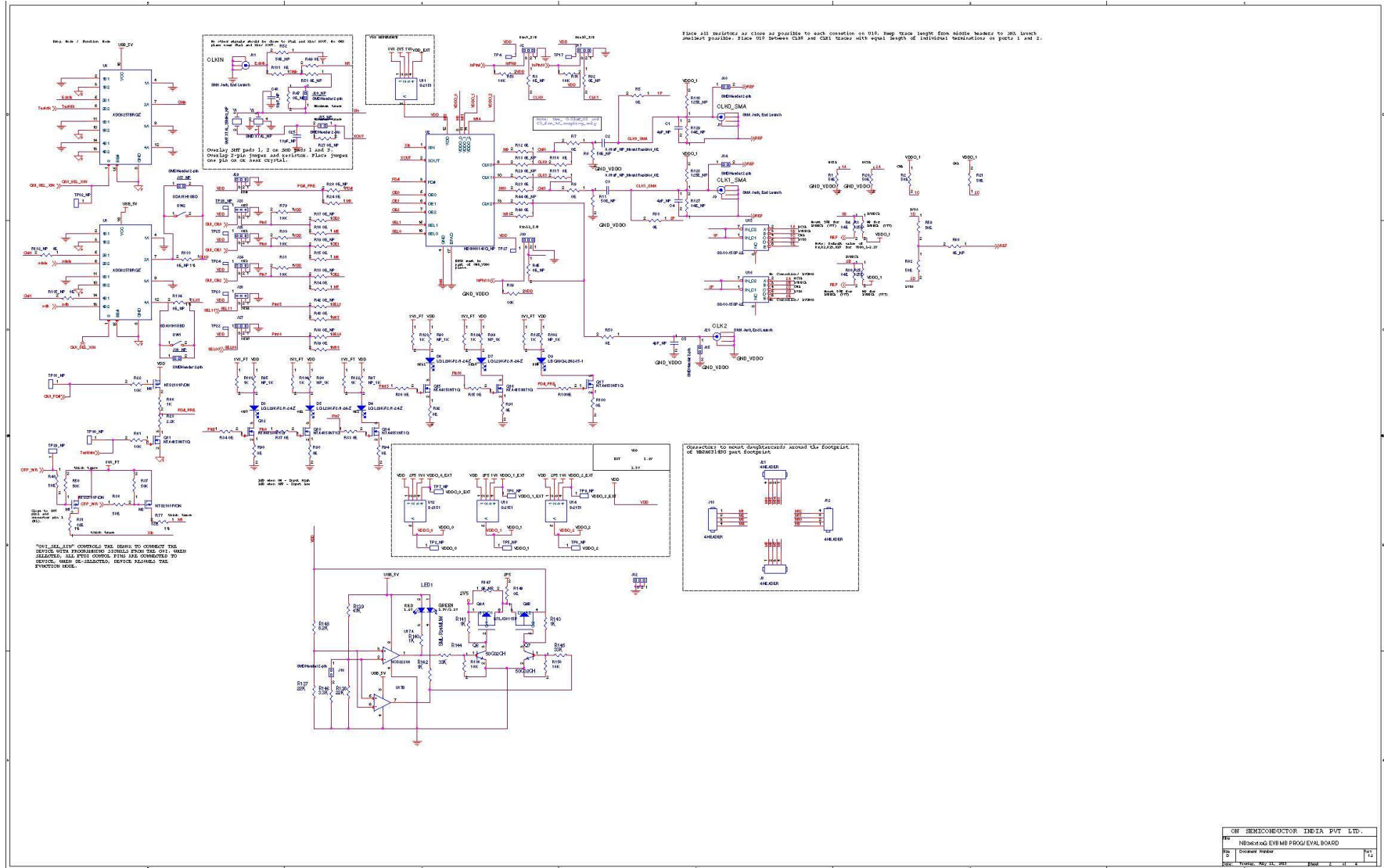


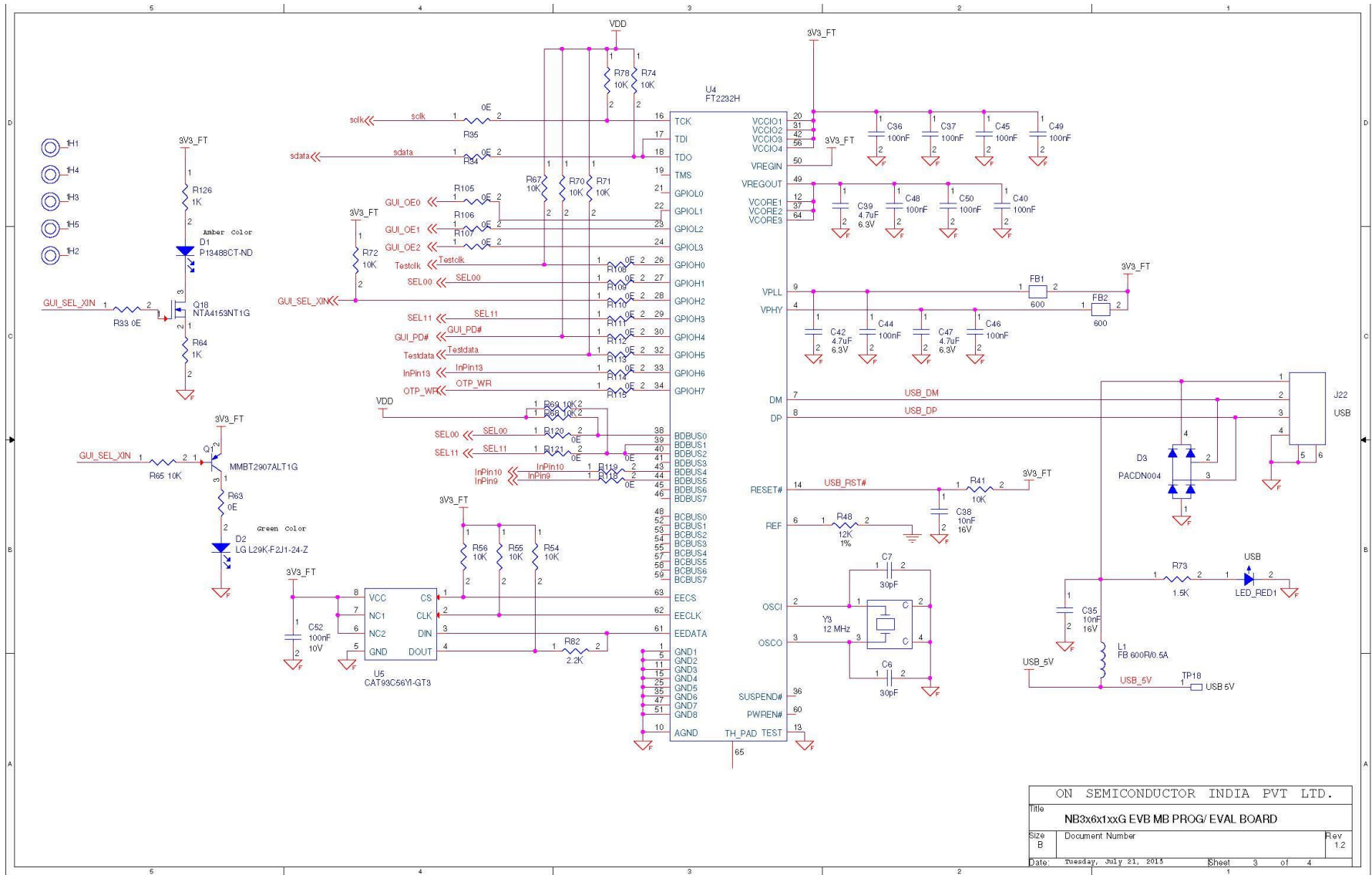


## Schematic for the NB3X6X1XXG16QFNEVK Evaluation Board

<b>Board Technology Information</b>		AUTHOR: RUDRAPPA																									
Board name	NB3x6x1xxG EVB MB CLOCK CRUISER REV1.2																										
No of Layers	- Four																										
Board size	- MAIN BOARD: 3 x 4 Inch / 2 - DAUGHTER CARDS: 1.5 x 1.5 Inch each																										
Controlled impedance traces	50 Ohms ,Single Ended,Differential.																										
Total Board thickness -	- 1.6mm																										
Trace Length	- 1.5" (Approximate)																										
Material	- FR4																										
		<table border="1"> <tr> <td colspan="4">ON SEMICONDUCTOR INDIA PVT LTD.</td> </tr> <tr> <td colspan="4">Title</td> </tr> <tr> <td colspan="4">NB3x6x1xxG EVB MB PROG/ EVAL BOARD</td> </tr> <tr> <td>Size</td> <td colspan="2">Document Number</td> <td>Rev</td> </tr> <tr> <td>B</td> <td colspan="2"></td> <td>1.2</td> </tr> <tr> <td>Date:</td> <td>Tuesday, July 21, 2015</td> <td>Sheet</td> <td>1 of 4</td> </tr> </table>		ON SEMICONDUCTOR INDIA PVT LTD.				Title				NB3x6x1xxG EVB MB PROG/ EVAL BOARD				Size	Document Number		Rev	B			1.2	Date:	Tuesday, July 21, 2015	Sheet	1 of 4
ON SEMICONDUCTOR INDIA PVT LTD.																											
Title																											
NB3x6x1xxG EVB MB PROG/ EVAL BOARD																											
Size	Document Number		Rev																								
B			1.2																								
Date:	Tuesday, July 21, 2015	Sheet	1 of 4																								



ON SEMICONDUCTOR INDIA PVT. LTD.	
REV	NIS607-00 EVB REV. PRODUCTION BOARD
DATE	Customer Number
DATE	11/11/2010



ON SEMICONDUCTOR INDIA PVT LTD.		
Title	NB3x6x1xxG EVB MB PROG/ EVAL BOARD	
Size	Document Number	Rev
B		1.2
Date:	Tuesday, July 21, 2015	Sheet 3 of 4

