

C2012X5R1A226M125AE

TDK Item Description : C2012X5R1A226MT***S

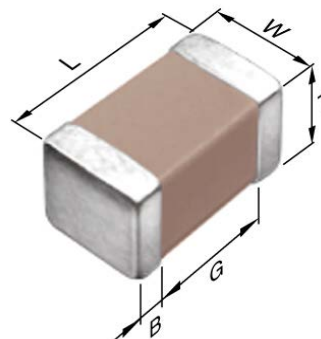


Application & Main Feature

Commercial Grade (Soft termination)

Series

C2012 [EIA CC0805]



Dimensions

L	2.00mm +0.45/-0.2mm
W	1.25mm +0.25/-0.2mm
T	1.25mm +0.25/-0.2mm
B	0.20mm Min.
G	0.50mm Min.

Temperature Characteristic

X5R (-55 to 85 degC +/-15%)

Rated Voltage

1A (10Vdc)

Capacitance

22uF

Capacitance Tolerance

M (+/-20%)

Dissipation Factor

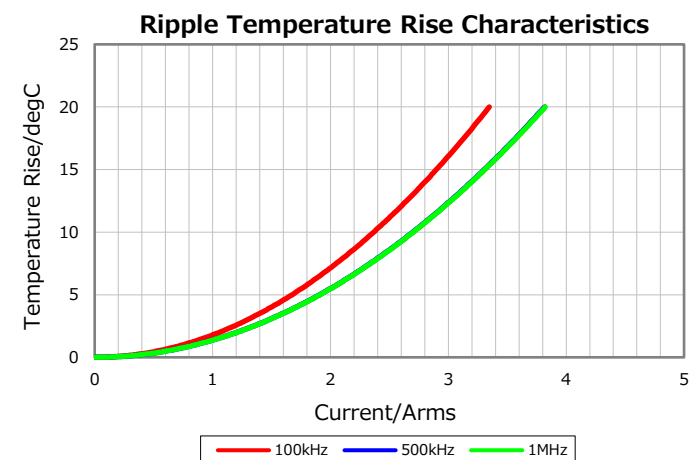
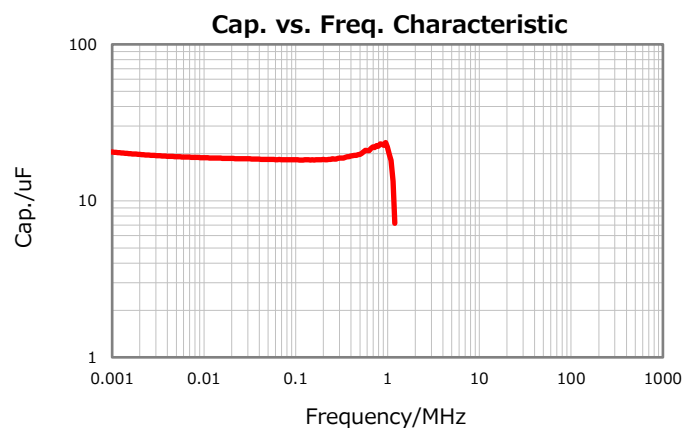
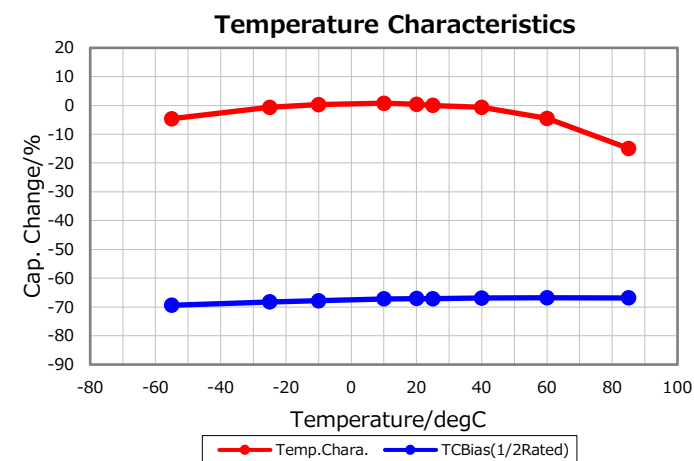
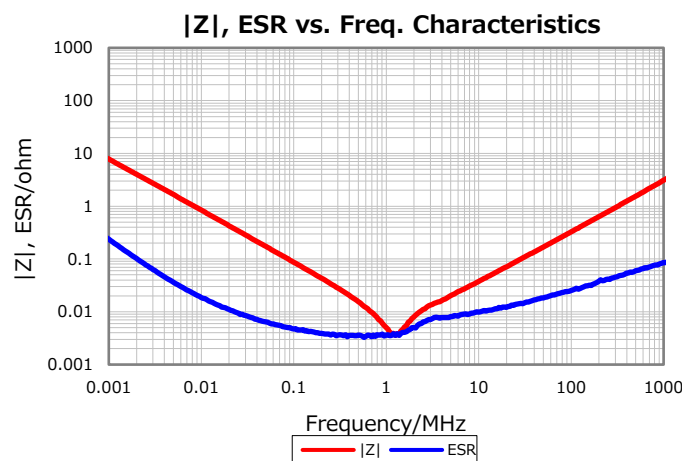
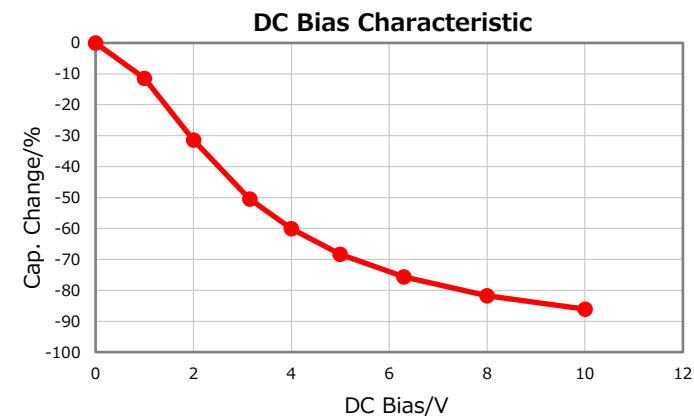
10% Max.

Insulation Resistance

4Mohm Min.

AEC-Q200

Not Applicable



Characterization Sheet (Multilayer Ceramic Chip Capacitors)



All specifications are subject to change without notice.

January 8, 2019