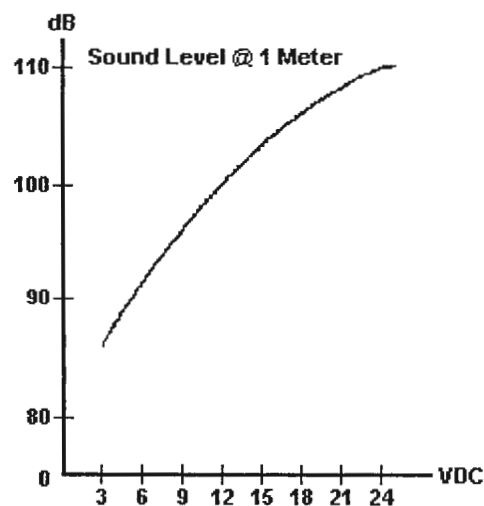
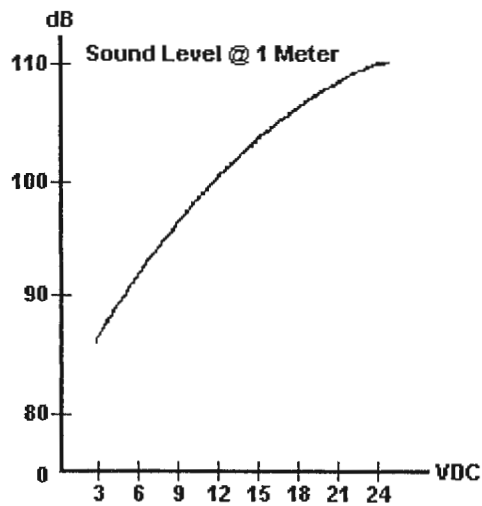
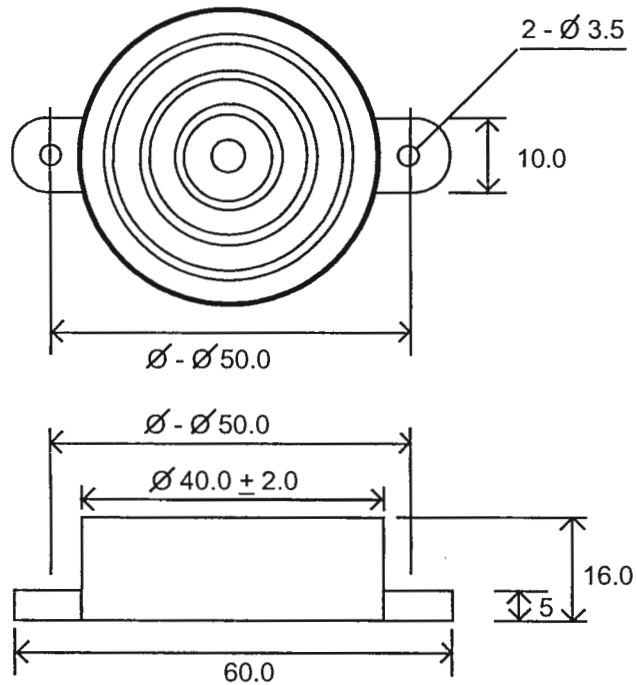


# PIEZO ELECTRIC ALARM

with Internal Circuitry - RoHS Compliant  
**BRP4016L-12-C & BRP4016L-12-CP Series**



## SPECIFICATIONS

Model No.	BRP4016L-12-C BRP4016L-12-CP
Operating Voltage (V)	3 ~ 24
Frequency (KHz)	2800 $\pm$ 300
Current @ 12V (mA)	18
Output @ 12V (dB/100cm)	100
Temperature ( $^{\circ}$ C)	-20 to + 60
Tone Mode	Continuous or Pulse

2 Leadwires - Red (positive), Black (negative)  
 Wire Length - 135 mm  $\pm$  10%  
 Wire Gauge - 26 AWG - UL1571  
 Plastic Housing - Cycloc Flame Retardant V520

**INTERVOX**  
**International** ©

International Components Corporation

215 McCormick Drive, Bohemia, NY 11716 631-952-9595 Fax: 631-952-9597 Web: www.icc107.com

Title:  
**Piezo Electric Alarm with Internal Circuitry**

Code	Intervox Model #	Rev
<b>G14</b>	<b>BRP4016L-12-C &amp; BRP4016L-12-CP</b>	<b>A</b>

Scale:	Date:	Sheet of
<b>mm</b>	<b>12/16/10</b>	<b>1 1</b>