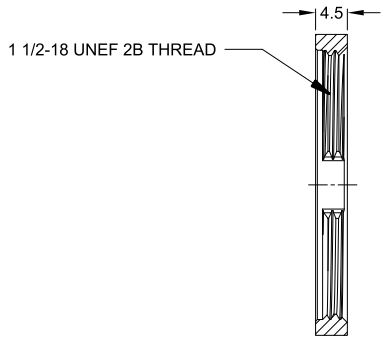
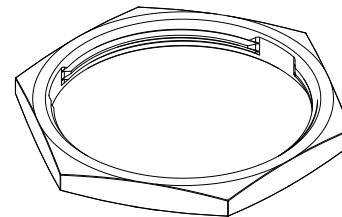
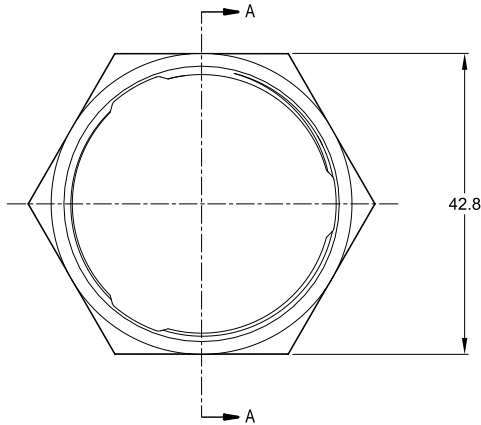


REVISIONS					
REV	ECO	DESCRIPTION	DATE	BY	APPR
A1	-	RELEASE NEW DRAWING	26/SEP/18	ROOKIE	TOMMY
A2	-	ADD MOUNTING TORQUE VALUE	23/JUN/20	LOUIE	TOMMY
A3	C1607S	CHANGE SURFACE TREATMENT	25/APR/22	IAN	TOMMY
A4	-	CHANGE MOUNTING TORQUE	03/MAR/23	LYCNH	TOMMY



SECTION A-A



NOTES: UNLESS OTHERWISE SPECIFIED

1. MATERIAL: ALUMINIUM ALLOY, PASSIVATION.
2. USE WITH AHDM SERIES SIZE 18 RECEPTACLE, MOUNTING TORQUE IS 20-22 N.M.
3. RoHS COMPLIANT.
4. ALL DIMENSIONS ARE FOR REFERENCE USE ONLY.

TITLE: NUT, AHDM SERIES, SIZE 18
 DWG NO.: A114020-90
 REV: A4
 SH: 1
 OF: 1

A114020-90		REF:114020-90											
QUANTITY	PART NUMBER	DESCRIPTION	ITEM										
MATERIALS LIST													
UNLESS OTHERWISE SPECIFIED 1) All dimensions are in metric (mm). 2) Tolerances are as follows: 1 PL DEC ±0.30 2 PL DEC ±0.15 3 PL DEC ±0.08 3) Note reference =		<table border="1"> <thead> <tr> <th>SIGNATURES</th> <th>DATE</th> </tr> </thead> <tbody> <tr> <td>DRAWN: LYNCH</td> <td>03/MAR/23</td> </tr> <tr> <td>CHECKED: SULLEN</td> <td>06/MAR/23</td> </tr> <tr> <td>ENGINEER:</td> <td></td> </tr> <tr> <td>APPROVAL: TOMMY</td> <td>07/MAR/23</td> </tr> </tbody> </table>	SIGNATURES	DATE	DRAWN: LYNCH	03/MAR/23	CHECKED: SULLEN	06/MAR/23	ENGINEER:		APPROVAL: TOMMY	07/MAR/23	<p>Sine Systems - www.amphenol-sine.com 44724 Morley Drive Clinton Township, MI 48036</p>
SIGNATURES	DATE												
DRAWN: LYNCH	03/MAR/23												
CHECKED: SULLEN	06/MAR/23												
ENGINEER:													
APPROVAL: TOMMY	07/MAR/23												
MATERIAL SPECIFICATIONS: WEIGHT: 5.5g		CUSTOMER: THIS DRAWING IS SUPPLIED FOR INFORMATION ONLY. DESIGN FEATURES, SPECIFICATIONS AND PERFORMANCE DATA SHOWN HEREON ARE THE PROPERTY OF THE AMPHENOL CORPORATION. NO RIGHTS OF REPRODUCTION ARE IMPLIED. ALL DIMENSIONS ARE SUBJECT TO NORMAL MANUFACTURING VARIATIONS.											
PROCESS SPECIFICATIONS: NEXT ASSY:		<table border="1"> <tr> <td>SIZE</td> <td>TYPE</td> <td>DWG NO.</td> <td>REVISION</td> </tr> <tr> <td>B</td> <td>C-</td> <td>A114020-90</td> <td>A4</td> </tr> </table>	SIZE	TYPE	DWG NO.	REVISION	B	C-	A114020-90	A4			
SIZE	TYPE	DWG NO.	REVISION										
B	C-	A114020-90	A4										
		<table border="1"> <tr> <td>SCALE:</td> <td>NONE</td> <td>DURAMATE</td> <td>SHEET 1 OF 1</td> </tr> </table>	SCALE:	NONE	DURAMATE	SHEET 1 OF 1							
SCALE:	NONE	DURAMATE	SHEET 1 OF 1										