

PLEASE CHECK WWW.MOLEX.COM FOR LATEST PART INFORMATION

Part Number: [0781090001](#)
Status: **Active**
Overview: Serial ATA Connectors
Description: 1.27mm Pitch Micro Serial ATA Device Receptacle for 45.72mm HDD/SSD, Right-Angle, Surface Mount, Mid-Mount, 16 Circuits, Lead-Free

Documents:

3D Model	Product Specification PS-78109-001-001 (PDF)
Drawing (PDF)	Packaging Specification PK-78109-100-001 (PDF)
3D Model (PDF)	RoHS Certificate of Compliance (PDF)

Agency Certification

CSA	LR19980
UL	E29179

General

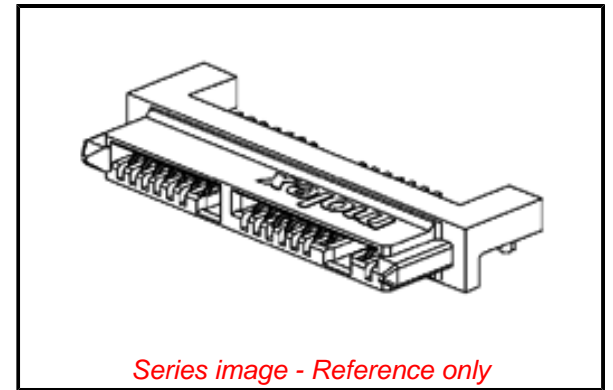
Product Family	PCB Receptacles
Series	78109
Application	Board-to-Board, Signal
Comments	With Optional Manufacturing Pins (S1 to S7, P1 to P9)
Electrical Model	Yes
Overview	Serial ATA Connectors
Product Name	Micro Serial ATA, Serial ATA
UPC	822350889117

Physical

Circuits (Loaded)	16
Circuits (maximum)	16
Color - Resin	Black
Durability (mating cycles max)	500
Flammability	94V-0
Glow-Wire Capable	No
Guide to Mating Part	Yes
Keying to Mating Part	Yes
Lock to Mating Part	Yes
Material - Metal	Copper Alloy
Material - Plating Mating	Gold
Material - Plating Termination	Tin
Material - Resin	Nylon
Net Weight	1.521/g
Number of Rows	1
Orientation	Right Angle
PCB Locator	Yes
PCB Retention	Yes
Packaging Type	Tray
Pitch - Mating Interface	1.27mm
Plating min - Mating	0.762µm
Plating min - Termination	2.540µm
Polarized to Mating Part	Yes
Polarized to PCB	Yes
Stackable	No
Temperature Range - Operating	-40° to +105°C
Termination Interface: Style	Surface Mount

Electrical

Current - Maximum per Contact	1.5A
Grounding to PCB	Yes



EU ELV

Not Relevant

EU RoHS

Compliant

REACH SVHC

Not Contained Per -
D(2021)4569-DC (8
July 2021)

Halogen-Free

Status

Not Low-Halogen

For more information, please visit [Contact US](#)

China ROHS

ELV

RoHS Phthalates

China RoHS

Green Image

Not Relevant

Not Contained

Search Parts in this Series

[78109](#) Series

Mates With

[78103](#) , [78283](#) and [78285](#) Micro SATA
Device Plugs

Voltage - Maximum 30V

Solder Process Data

Duration at Max. Process Temperature (seconds) 010

Lead-free Process Capability REFLOW

Max. Cycles at Max. Process Temperature 001

Process Temperature max. C 260

Material Info

Reference - Drawing Numbers

Electrical Model Document EE-78109-001-001

Packaging Specification PK-78109-100-001

Product Specification PS-78109-001-001

S-Parameter Model SP-78109-001-001

Sales Drawing SD-78109-001-001

This document was generated on 10/05/2021

PLEASE CHECK WWW.MOLEX.COM FOR LATEST PART INFORMATION