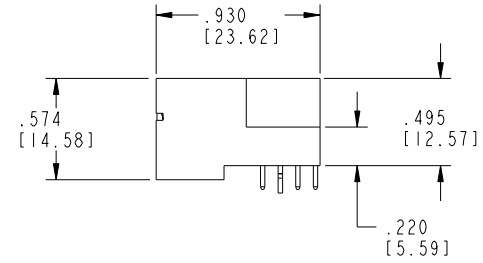
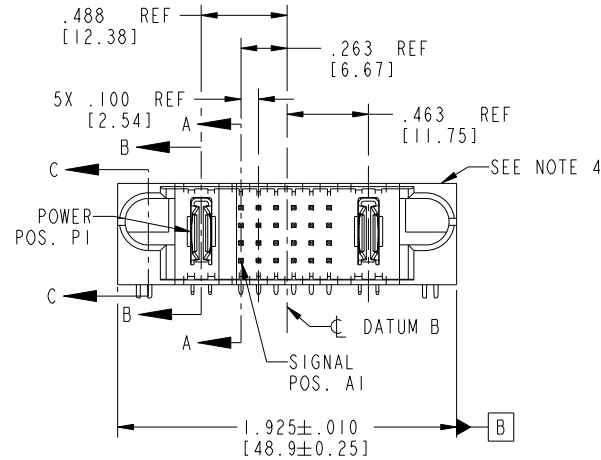


Tous droits strictement reserves. Reproduction ou communication a des tiers interdite sous quelque forme que ce soit sans autorisation écrite du propriétaire.
 Property of FCI. - Droits de reproduction FCI.



All rights strictly reserved. Reproduction or issue to third parties in any form whatever is not permitted without written authority from the proprietor.
 Property of FCI. Copyright FCI.

PRODUCT NO.	ROWS	PWR		SIGNAL						PWR	
		E1	P1	1	2	3	4	5	6	P2	E2
51939-064__ NOTE: 3	D C B A										



CODE	DIM "M" MATING LENGTH	CONTACT TYPE
E	.220 [5.59]	SIGNAL
H	.220 [5.59]	SIGNAL
R	.270 [6.86]	SIGNAL
S	.270 [6.86]	SIGNAL
T	.270 [6.86]	SIGNAL
U	.270 [6.86]	SIGNAL
PA	N/A [N/A]	POWER
HA	N/A [N/A]	HOLD-DOWN

mat'l code				SEE NOTE 2		tolerances unless otherwise specified		CUSTOMER		 www.fciconnect.com	
ltr	ecn no.	dr	date	linear	.XX±.01/0.X±0.3		COPY		title IP + 24S + IP RIGHT ANGLE SOLDER HEADER		
A	V03-0582	TAB	05/21/03		.XXX±.005/0.XX±0.13		projection				
B	DG06-0014	JMG	01/11/06	angles	.XXX±.0020/0.XXX±0.051		 INCH/MM		product family PwrBlade code 213		
C	DG08-0273	WD	12/31/08		0°±2°		scale 1:1		size A 51939-064 sheet 1 of 4		
				dr	T. BRUNGARD	05/21/03					
				enrg	M. MOSTOLLER	05/21/03					
				chr	M. MOSTOLLER	05/21/03					
				appd	M. MOSTOLLER	05/21/03					
sheet index	revision sheet	C	C	C	C						
		1	2	3	4						

1 | 2

Pro/E

3 |

cage code 22526

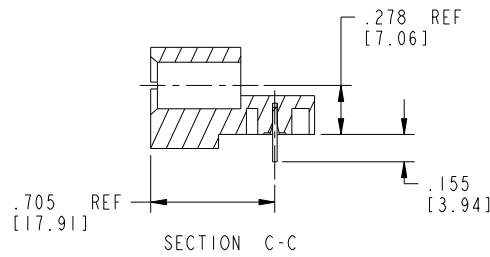
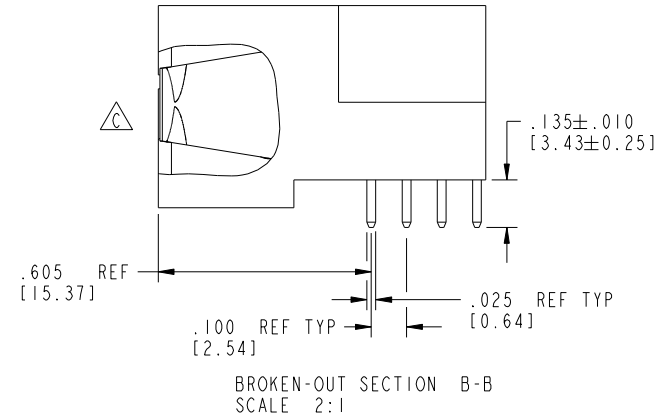
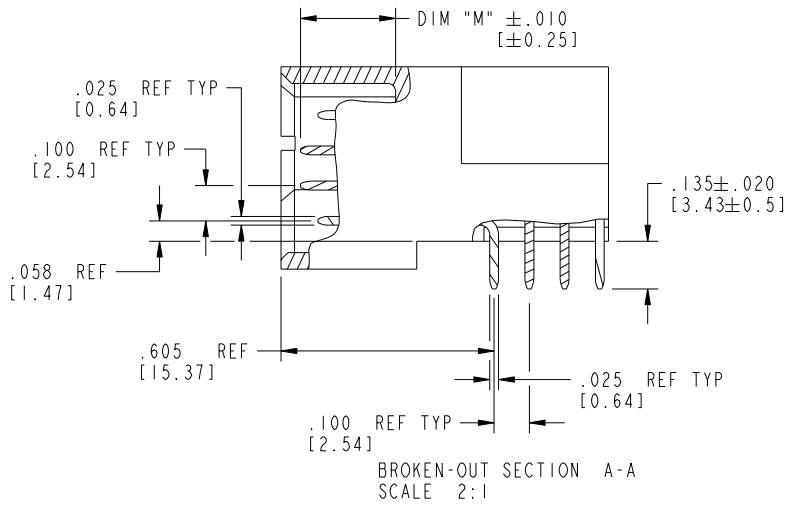
4

Tous droits strictement reserves. Reproduction ou communication a des tiers interdite sous quelque forme que ce soit sans autorisation ecrite du propriétaire. Propriete de c FCI. Droits de reproduction FCI.



All rights strictly reserved. Reproduction or issue to third parties in any form whatever is not permitted without written authority from the proprietor. Property of FCI. Copyright FCI.

PRODUCT NUMBER
51939-064__
NOTE: 3



mat'l code		SEE NOTE 2		tolerances unless otherwise specified		CUSTOMER		FCI		www.fciconnect.com	
ltr	ecn no.	dr	date	linear	.XX±.01/0.X±0.3	COPY		projection		title	
C					.XXX±.005/0.XX±0.13	INCH/MM		IP + 24S + IP		RIGHT ANGLE SOLDER HEADER	
				angles	.XXX±.0020/0.XXX±0.051	1:1		product family		code	
				dr	0°+2°	A		PwrBlade		213	
				enr	T. BRUNGARD 05/21/03	size		dwg no		sheet	
				chr	M. MOSTOLLER 05/21/03	A		51939-064		2 of 4	
				appd	M. MOSTOLLER 05/21/03	cage code		22526			
sheet index	revision sheet										

Pro/E

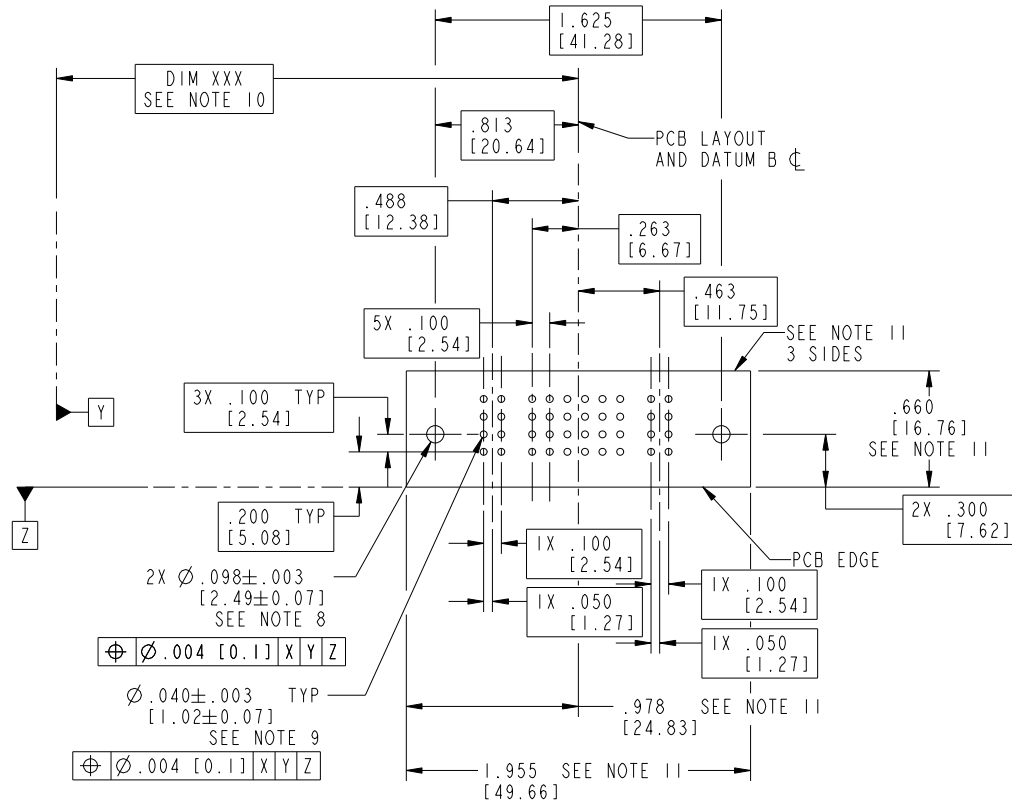
cage code 22526

Tous droits strictement reserves. Reproduction ou communication a des tiers interdite sous quelque forme que ce soit sans autorisation ecrite du proprietaire. Propriete de c FCI. Droits de reproduction FCI.



All rights strictly reserved. Reproduction or issue to third parties in any form whatsoever is not permitted without written authority from the proprietor. Property of FCI. Copyright FCI.

PRODUCT NUMBER
51939-064__
NOTE: 3



RECOMMENDED PCB LAYOUT

mat'l code		SEE NOTE 2		tolerances unless otherwise specified		CUSTOMER				www.fciconnect.com	
ltr	ecn no.	dr	date	linear	.XX±.01/O.X±0.3	COPY		projection		title	
C					.XXX±.005/O.XX±0.13	INCH/MM		RIGHT ANGLE		IP + 24S + IP	
				angles	.XXX±.002/O.XXX±0.051	1:1		product family		code	
				dr	0°+2°	scale		PwrBlade		213	
				enrg	T. BRUNGARD 05/21/03	A		size		sheet	
				chr	M. MOSTOLLER 05/21/03	1:1		dwg no		3 of 4	
				appd	M. MOSTOLLER 05/21/03	A		51939-064			
sheet index	revision sheet										

cage code 22526

Pro/E

Tous droits strictement reserves. Reproduction ou communication a des tiers interdite sous quelque forme que ce soit sans autorisation écrite du propriétaire. Propriete de c FCI. Droits de reproduction FCI.



All rights strictly reserved. Reproduction or issue to third parties in any form whatever is not permitted without written authority from the proprietor. Property of FCI. Copyright FCI.

PRODUCT NUMBER
51939-064__
NOTE: 3

NOTES:

1. DIMENSIONS AND TOLERANCES ARE IN ACCORDANCE WITH ASME Y14.5M, 1994 UNLESS OTHERWISE SPECIFIED.

CONNECTOR NOTES:

- 2. HOUSING MATERIAL: UL 94 V-0 GLASS FILLED HIGH-TEMP THERMOPLASTIC
POWER CONTACT MATERIAL: COPPER ALLOY
SIGNAL PIN MATERIAL: COPPER ALLOY

3. SEE ITEM 1 & 2 IN PRINT 10064183 FOR PLATING SPEC OF 51939-064 AND 51939-064LF RESPECTIVELY.

- 4. MANUFACTURER'S NAME, P/N, AND DATE CODE TO APPEAR ON THIS SURFACE.

5. PRODUCT SPECIFICATION GS-12-149.
APPLICATION SPECIFICATION BUS-20-067.

6. PACKAGED IN TRAYS.

PCB NOTES:

7. ALL HOLE DIAMETERS ARE FINISHED HOLE SIZE.

- 8. MOUNTING HOLES, WHERE APPLICABLE, ARE UNPLATED.

- 9. $\varnothing .0453 \pm .0010$ [1.151 \pm 0.025] DRILLED HOLES PLATED WITH
.0003 [0.008] MIN SnPb OVER .001 [0.03]
TO .003 [0.08] Cu PLATING TO ACHIEVE
 $\varnothing .040 \pm .003$ [1.02 \pm .07] HOLE.

- 10. "DIM XXX" TO BE DETERMINED BY THE CUSTOMER.

- 11. CONNECTOR KEEP-OUT ZONE.

12. A \triangle SYMBOL WILL BE NEXT TO ANY DIMENSION, VIEW, OR NOTE WHICH HAS BEEN MODIFIED WITH THE CURRENT DRAWING REVISION.

mat'l code				SEE NOTE 2	tolerances unless otherwise specified		CUSTOMER		FCI		www.fciconnect.com	
ltr	ecn no.	dr	date	linear	.XX±.01/0.X±0.3		COPY		projection	title		
C					.XXX±.005/0.XX±0.13		INCH/MM			IP + 24S + IP		
				angles	.XXX±.002/0.XXX±0.051		1:1		RIGHT ANGLE SOLDER HEADER			
					0°±2°		scale		product family			
				dr	T. BRUNGARD	05/21/03	A		PwrBlade		code	213
				enr	M. MOSTOLLER	05/21/03	A		size		dwg no	4 of 4
				chr	M. MOSTOLLER	05/21/03	A		51939-064		sheet	4 of 4
				appd	M. MOSTOLLER	05/21/03	A		A		sheet	4 of 4
sheet index	revision sheet											

cage code 22526