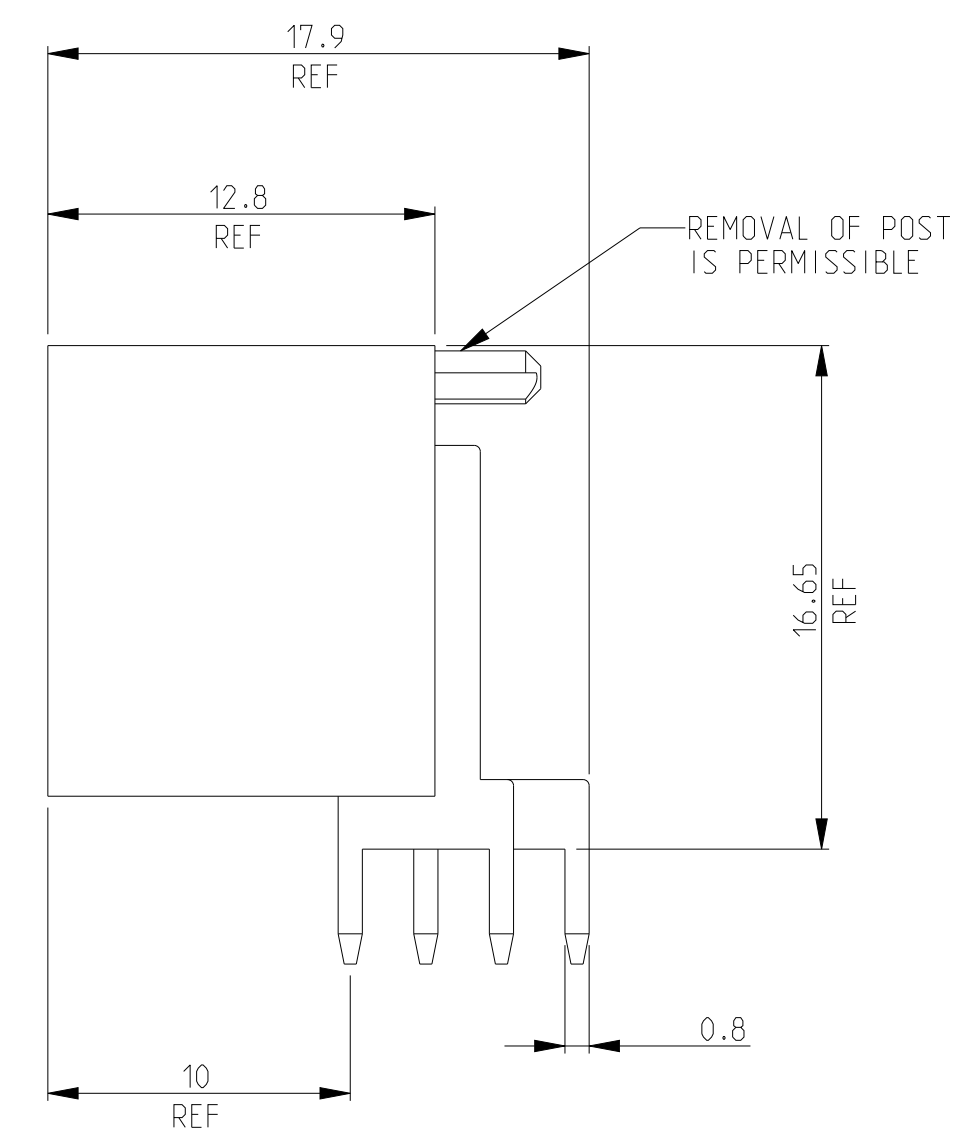
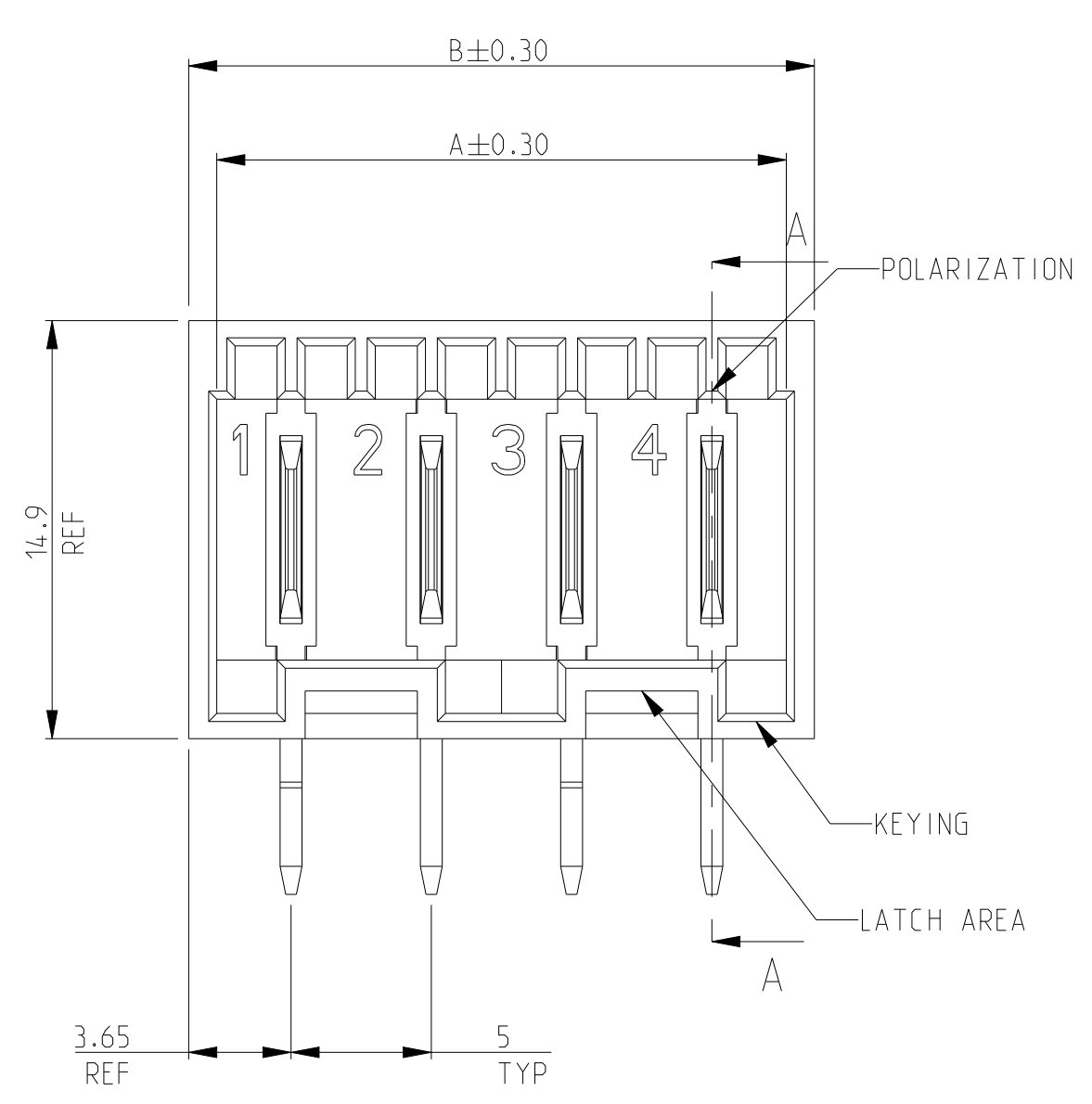
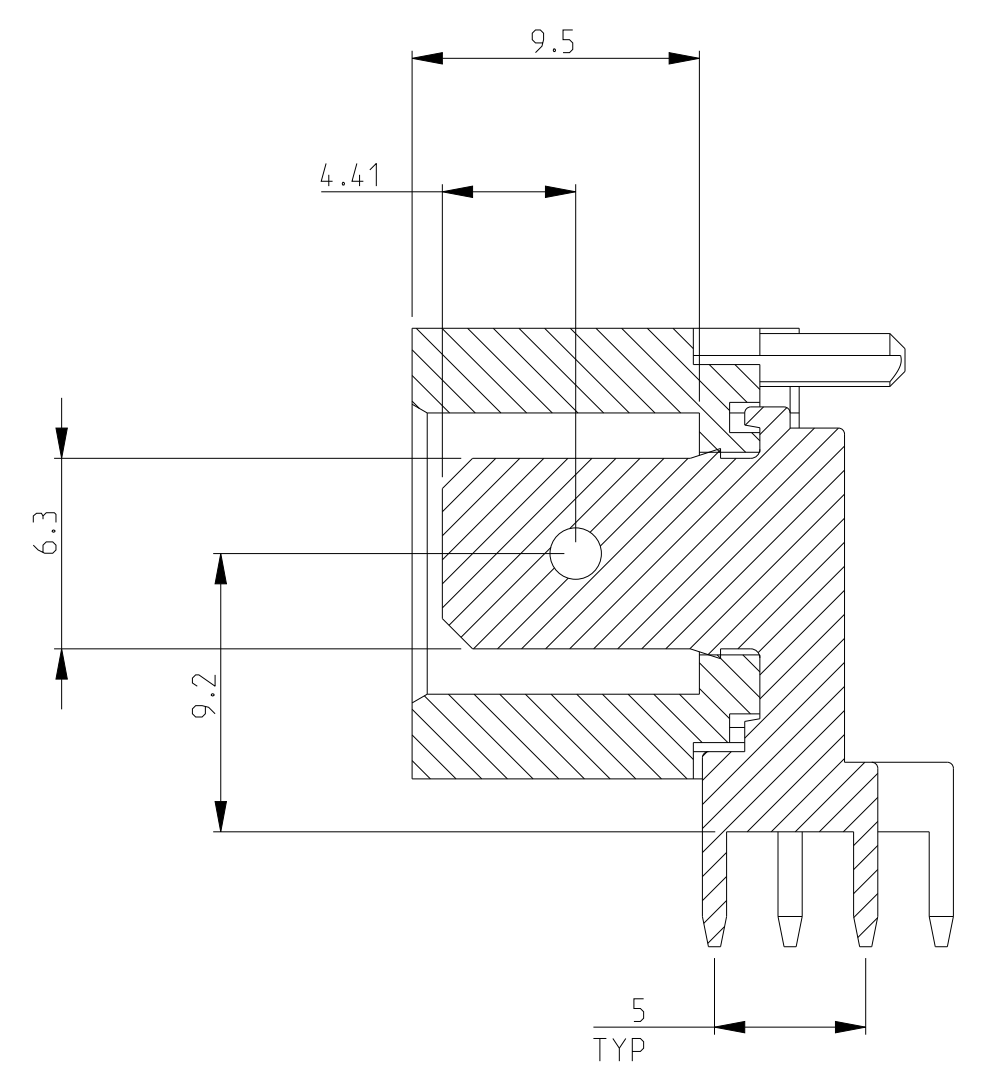
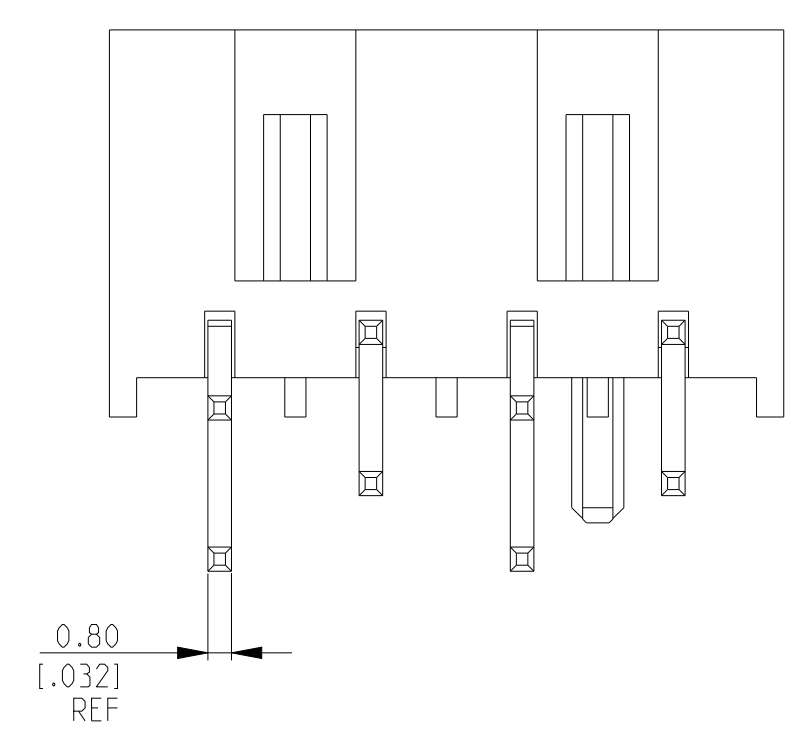


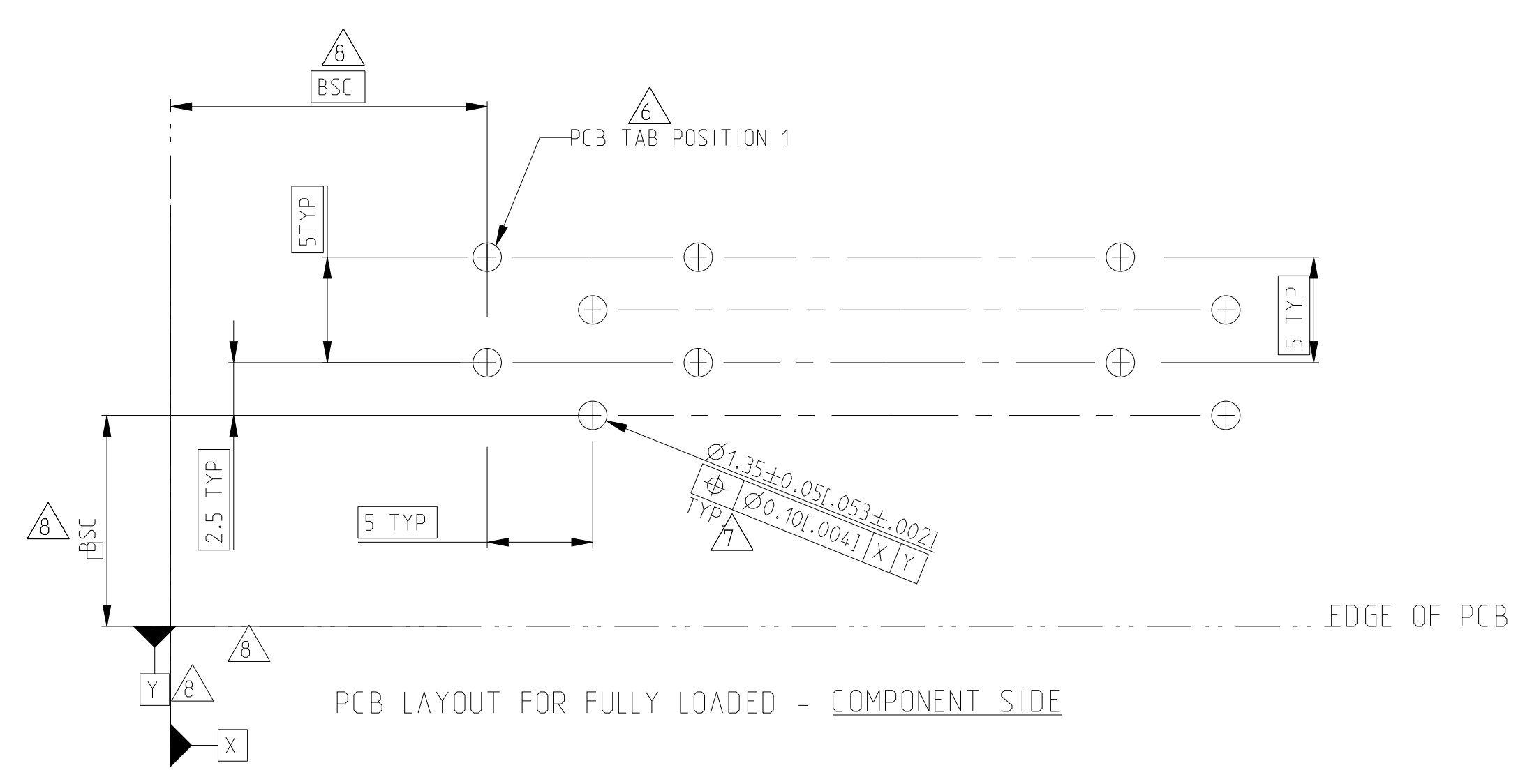
| LOC |     | DIST          |           | REVISIONS |      |  |  |
|-----|-----|---------------|-----------|-----------|------|--|--|
| P   | LTN | DESCRIPTION   | DATE      | OWN       | APPD |  |  |
| A1  |     | ECR-12-010297 | 29JUN2012 | C.J.      | R.P. |  |  |
| A2  |     | ECR-21-102131 | 19APR2021 | LZ        | FL   |  |  |
| A4  |     | ECR-21-108679 | 05AUG2021 | LZ        | FL   |  |  |



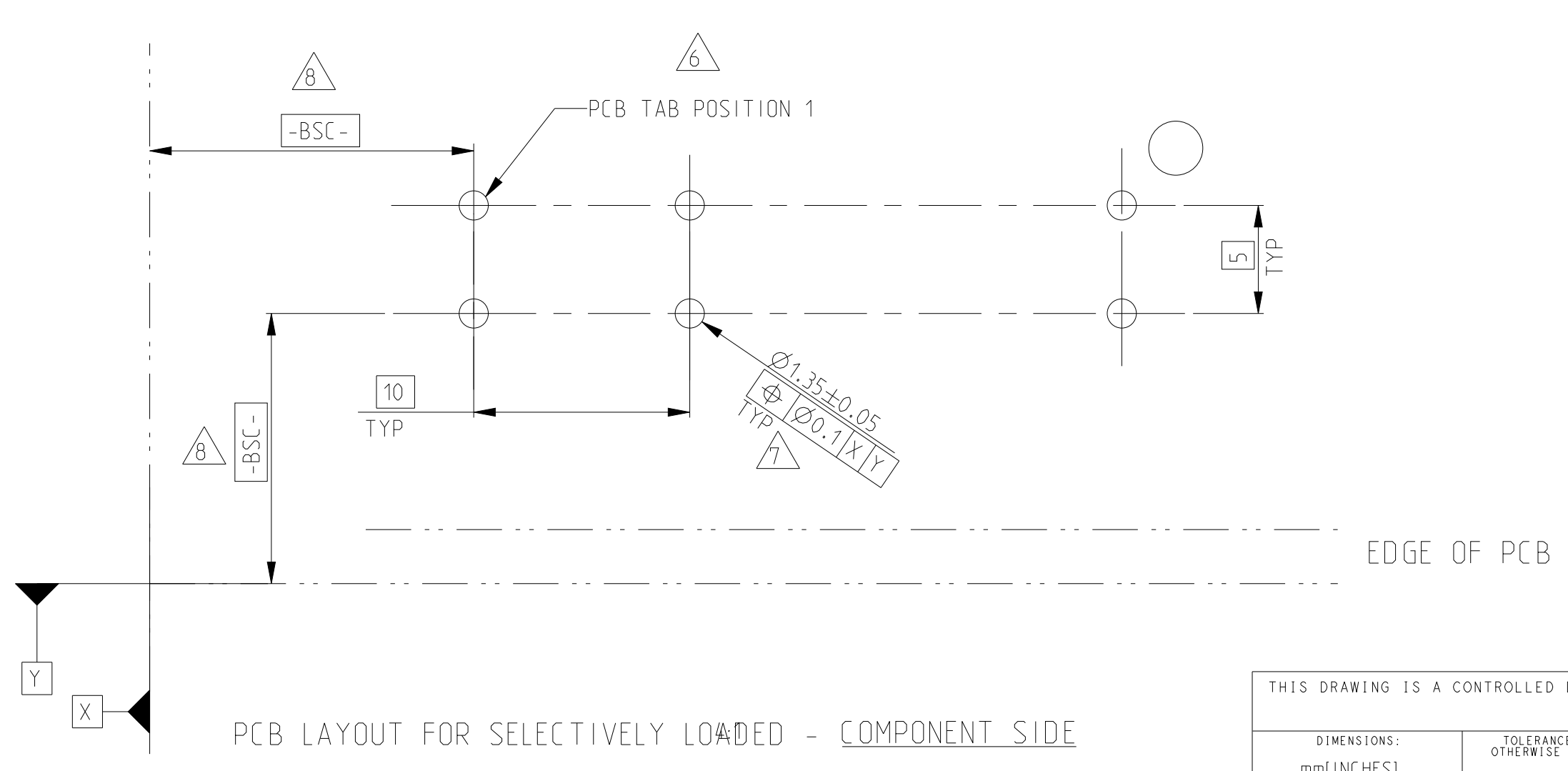
- HOUSING HAS RAST 5 COMPLIANT KEYING, LATCHING, AND POLARIZATION. TAB IS 6.3 x 0.8 (1.250 x .032) ACCORDING TO DIN 46244.
- POSSIBLE MATING CONNECTOR FAMILIES INCLUDE STANDARD TIMER RAST 5, MULTIFITTING, MULTIFITTING MK11, AND MONO-SHAPE TAB CONNECTORS.
- SEE SHEET 2 FOR AVAILABLE CONFIGURATIONS.
- MATERIAL: HOUSING, PA6 NYLON, UL 94V-2. CONTACT, BRASS, 0.8 mm THICK.
- FINISH: CONTACTS, 3.8 μm MIN TIN OVER 1.3 μm MIN NICKEL.
- PCB TABS INSERTED IN A STAGGERED PATTERN BEGINNING WITH POSITION 1.
- SELECTED HOLES MAY BE 1.05+0.05/-0.00 DIA (1.041+.002/-0.001 DIA) FOR IMPROVED (PRESS-FIT) RETENTION TO P.C.B. PRIOR TO SOLDERING.
- DATUM AND BASIC DIMENSION ESTABLISHED BY CUSTOMER
- PRODUCT QUALIFICATION PER 108-2183
- GW T (GLOW WIRE TEST) 750°C WITHOUT FLAME. NOTE TO CUSTOMER TESTING PENDING. THE SHROUD USED ON THESE ASSEMBLIES PASSED THIS REQUIREMENT ON P/N 521971, VDE REG - NR 6718
- PRELIMINARY - NOT FOR PRODUCTION
- PART NUMBER WITH TUBE PACKAGING, TUBE PN:2384300-1



SECTION A-A



PCB LAYOUT FOR FULLY LOADED - COMPONENT SIDE



PCB LAYOUT FOR SELECTIVELY LOADED - COMPONENT SIDE

|      |      |             |
|------|------|-------------|
| 47.3 | 45.3 | 9           |
| 42.3 | 40.3 | 8           |
| 37.3 | 35.3 | 7           |
| 32.3 | 30.3 | 6           |
| 27.3 | 25.3 | 5           |
| 22.3 | 20.3 | 4           |
| 17.3 | 15.3 | 3           |
| 12.3 | 10.3 | 2           |
| B    | A    | NO. OF POS. |

PCB 1.5±0.14 (.059±.006) THICK  
 SCALE 4:1

THIS DRAWING IS A CONTROLLED DOCUMENT.

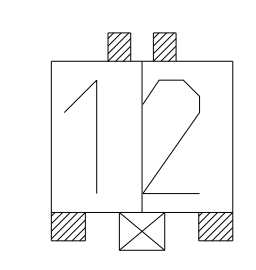
|                       |  |         |         |                   |         |         |         |          |            |
|-----------------------|--|---------|---------|-------------------|---------|---------|---------|----------|------------|
| DIMENSIONS: mm INCHES | TOLERANCES UNLESS OTHERWISE SPECIFIED: | 0 PLC ± | 1 PLC ± | 2 PLC ±0.25(.010) | 3 PLC ± | 4 PLC ± | 5 PLC ± | ANGLES ± | FINISH #2* |
|-----------------------|--|---------|---------|-------------------|---------|---------|---------|----------|------------|

MATERIAL:  $\triangle 4$   $\triangle 10$  FINISH:  $\triangle 5$

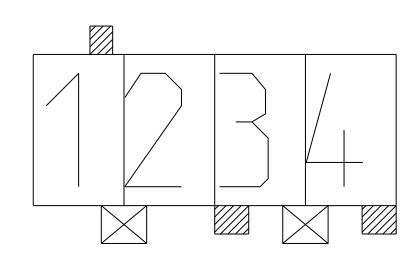
|                            |                          |                            |   |
|----------------------------|--------------------------|----------------------------|---|
| OWN: RAGHAVENDRA 30MAR2010 | CHK: JEFF RUTH 30MAR2010 | APPD: RAY LONDON 30MAR2010 | NAME: ASSEMBLY, DIN, RAST 5 HEADER, RIGHT ANGLE, GW T |
| SIZE: A1                   | CAGE CODE: 00779         | DRAWING NO: 1969352        | RESTRICTED TO: A4                                     |
| CUSTOMER DRAWING           |                          | SCALE: 4:1                 | SHEET 1 OF 2  |

| LOC | DIST | REVISIONS   |      |     |      |
|-----|------|-------------|------|-----|------|
| P   | LTN  | DESCRIPTION | DATE | DMN | APVD |
| -   | -    | SEE SHEET 1 | -    | -   | -    |
|     |      |             |      |     |      |
|     |      |             |      |     |      |

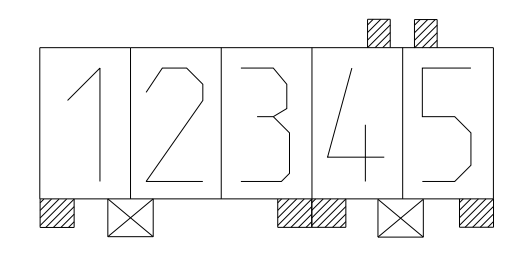
### FULLY LOADED VERSION



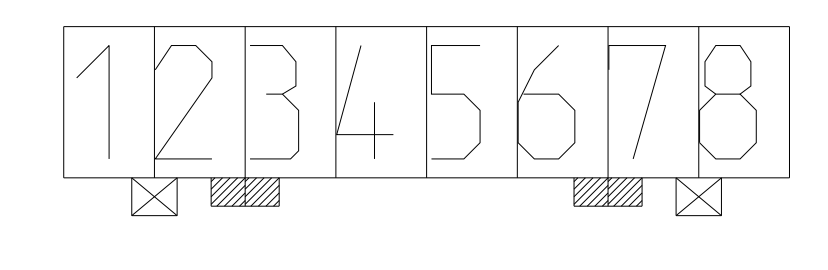
1969352-2



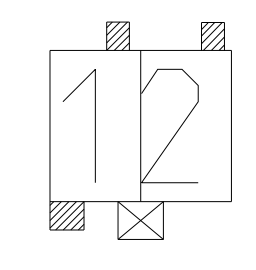
1969352-4



2-1969352-5

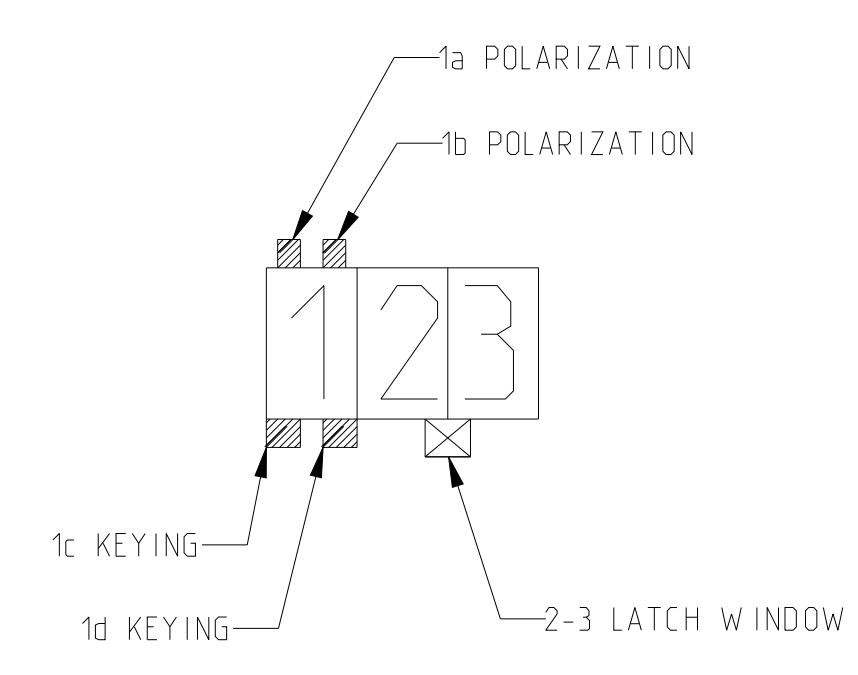


1969352-8



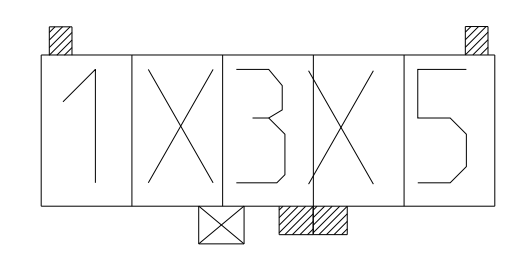
5-1969352-2

|                |             |        |             |               |              |
|----------------|-------------|--------|-------------|---------------|--------------|
| 1-2,7-8        | 2d,3c,6d,7c | --     | 8           | 08-D          | △1 1969352-8 |
| 1-2,2-3        | 1c,3d,4c,5d | 4b,5a  | 5           | -             | 2-1969352-5  |
| 1-2,3-4        | 3c,4d       | 1b     | 4           | 04-A          | △1 1969352-4 |
| 1-2            | 1c          | 1b,2b  | 2           | 02-I          | 5-1969352-2  |
| 1-2            | 1c,2d       | 1b,2a  | 2           | 02-A          | 1969352-2    |
| LATCH W INDOWS | KEYING      | POLAR. | NO. OF POS. | RAST 5 DESIG. | PART NUMBER  |

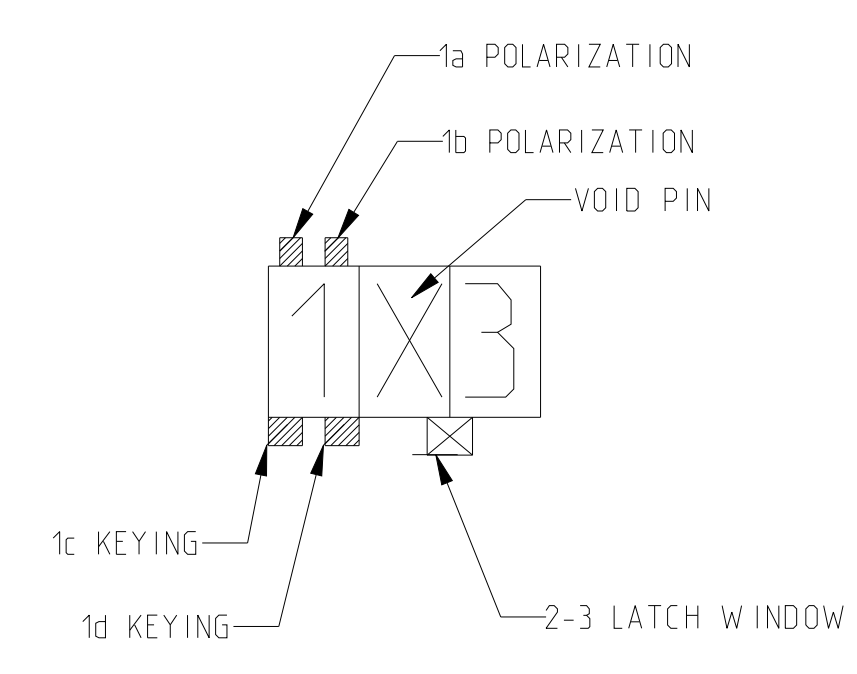


PICTORIAL VIEW KEY

### SELECTIVELY LOADED VERSION



△ 2384394-5



PICTORIAL VIEW KEY

|                |        |        |             |               |              |
|----------------|--------|--------|-------------|---------------|--------------|
| 2-3            | 3d,4c  | 1a,5b  | 5           | -             | △2 2384394-5 |
| LATCH W INDOWS | KEYING | POLAR. | NO. OF POS. | RAST 5 DESIG. | PART NUMBER  |

THIS DRAWING IS A CONTROLLED DOCUMENT. DWN RAGHAVENDRA 30MAR2010  
 CHK JEFF RUTH 30MAR2010  
 APVD RAY LONDON 30MAR2010

**STE** TE Connectivity

NAME ASSEMBLY, DIN, RAST 5 HEADER, RIGHT ANGLE, GWT

SIZE A1 CAGE CODE 00779 DRAWING NO. 1969352 RESTRICTED TO

MATERIAL - FINISH - WEIGHT - CUSTOMER DRAWING SCALE 3:1 SHEET 2 OF 2 REV A4