

## Elbow

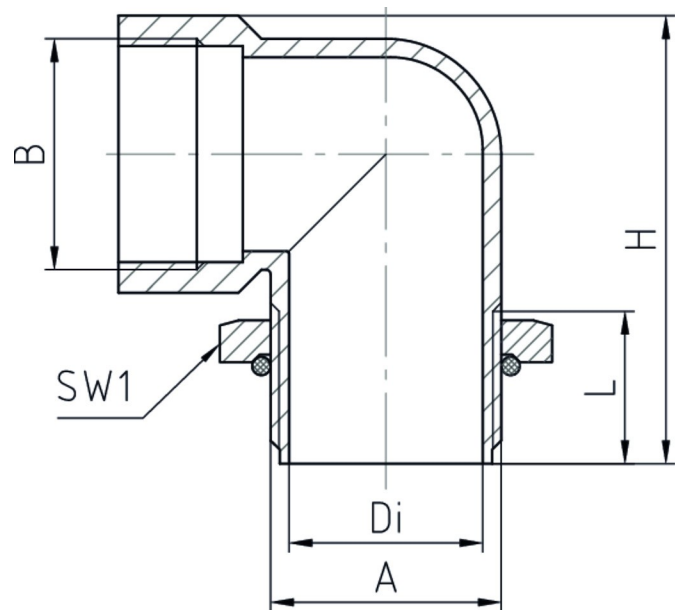
21.6xxM

<b>Elbow</b>	Zinc die-casting, nickel-plated
<b>Locknut</b>	Brass CuZn39Pb3, nickel-plated
<b>O-ring</b>	Nitrile rubber NBR
<b>Connecting thread</b>	metric, as per EN 60423




### Properties

	<ul style="list-style-type: none"> <li>for application in installation areas with small amounts of space due to construction dimensions</li> <li>locknut allows adjustment in any position</li> </ul>
<b>Temperature range</b>	-20 °C +100 °C
<b>Protection grade</b>	max. IP68 dependent on the combination with other components



### Features

Connecting thread standard length

A	B	L	SW1	H	Di	 VPE	Part No.
M16x1,5	M16x1,5	16	22	38	12,2	100	21.616M
M20x1,5	M20x1,5	16	26	42	16	50	21.620M
M25x1,5	M25x1,5	16,5	34	48,5	21	50	21.625M
M32x1,5	M32x1,5	18,5	40	57,5	27,6	25	21.632M
M40x1,5	M40x1,5	19	50	67	35	10	21.640M