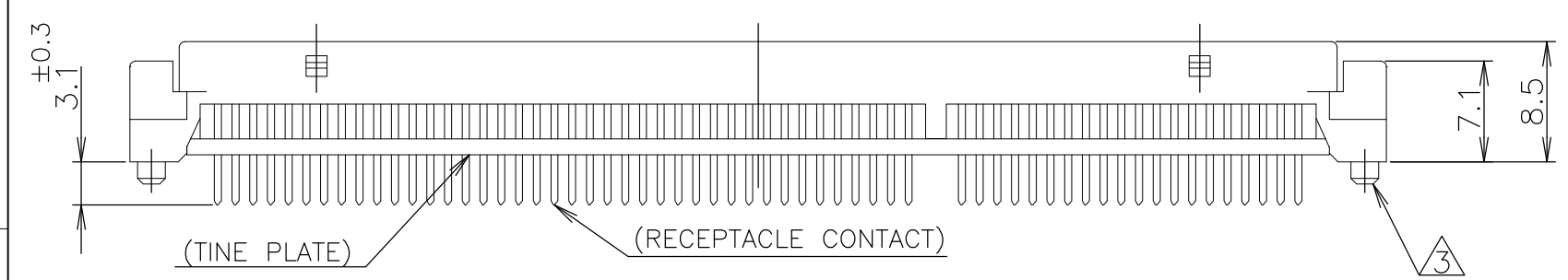
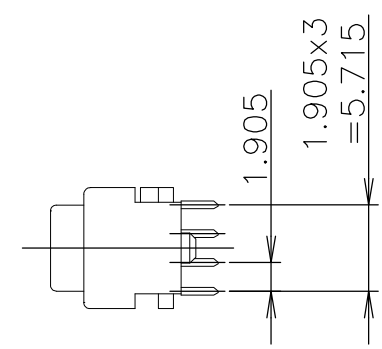
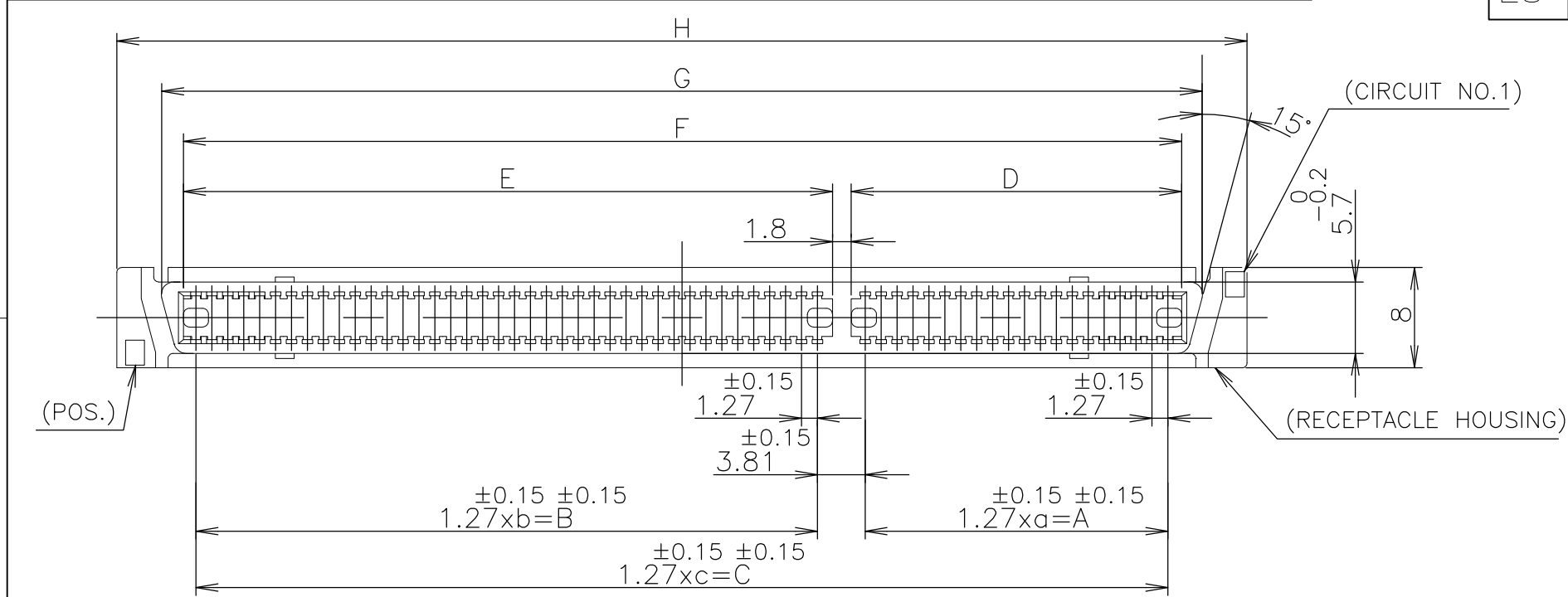
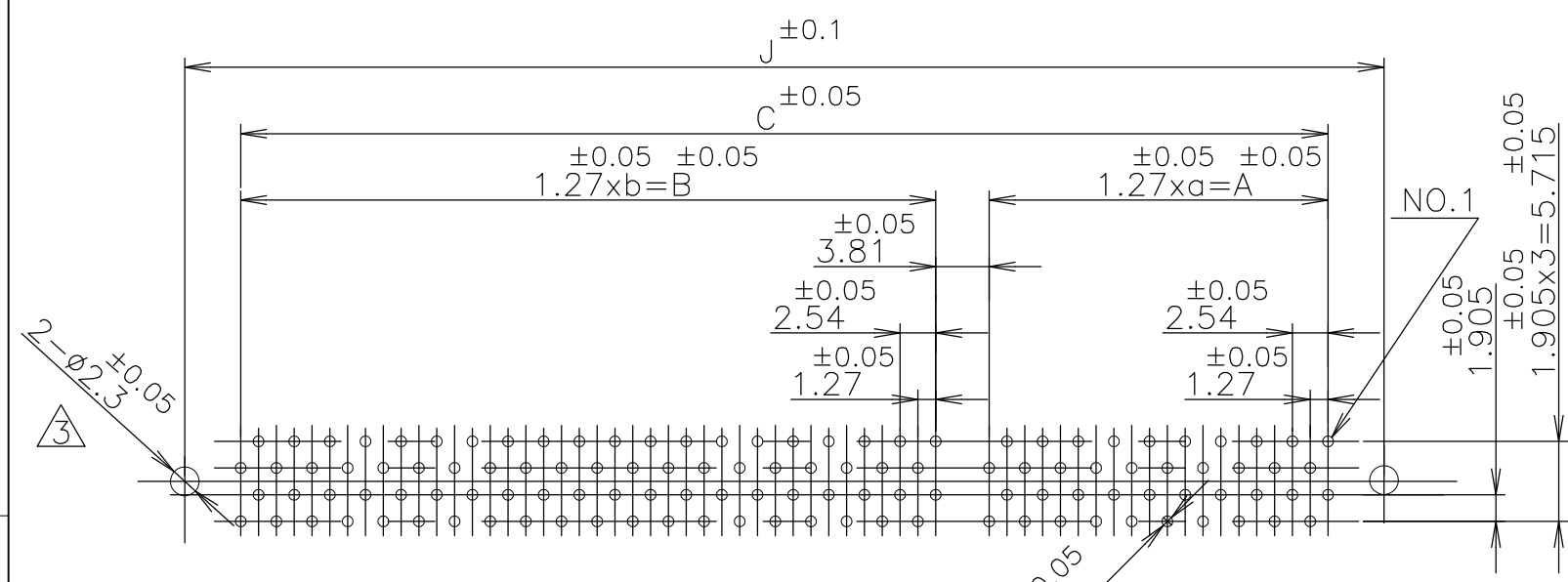


THIS DRAWING IS UNPUBLISHED. RELEASED FOR PUBLICATION AUG, 1989.
 © COPYRIGHT 1989 By - ALL RIGHTS RESERVED.

LOC	DIST	REVISIONS					
ES	00	P	LTR	DESCRIPTION	DATE	DWN	APVD
		A		REVISED ECR-12-013273	27MAR13	KR	E.T



- ① MATERIAL: HOUSING: GLASS FILLED 66NYLON (UL94V-0) BLACK
CONTACT: PHOSPHOR-BRONZE
- ② FINISH: CONTACT: 0.0003 MIN. Au AT CONTACT AREA,
0.001 MIN. TIN AT TINE, OVER Ni
- ③ BOSS FOR POSITIONING: P/N -1, -2, -3, -4
- ④ OBSOLETE



49	62.23	64.23	67.32	74.85	72.2	0.00076	100	2	④	-4				
39	49.53	62.23	115.57	51.53	64.23	117.57	120.66	128.19	125.54	0.0003	180	④	-8	
29	36.83	39	49.53	90.17	38.83	51.53	92.17	95.26	102.79	100.14	0.0003	140		-6
19	24.13	39	49.53	77.47	26.13	51.53	79.47	82.56	90.09	87.44	0.0003	120		-5
49	62.23	64.23	67.32	74.85	72.2	0.0003	100							-4
39	49.53	51.53	54.62	62.15	59.5	0.0003	80							-3
29	36.83	38.83	41.92	49.45	46.8	0.0003	60							-2
19	24.13	26.13	29.22	36.75	34.1	0.0003	40							-1
a	A	b	B	c	C	D	E	F	G	H	J	THK OF GOLD	POS.	P/N

P.C. BOARD LAYOUT
(CONNECTOR MOUNT SIDE)

LEAD FREE

GENERAL TOLERANCE
 10 ≥ : ±0.2
 30 ≥ > 10: ±0.25
 100 ≥ > 30: ±0.3
 ANGLES: ±3°

THIS DRAWING IS A CONTROLLED DOCUMENT.

DWN Roy Hao 31Aug04	TE Connectivity AMP FH CONNECTOR RECEPTACLE (VERTICAL) 11mm STACKING
CHK STEVEN YAO 31Aug04	
APVD I.ENOMOTO 31Aug04	
NAME I.ENOMOTO	
PRODUCT SPEC 製品規格	RESTRICTED TO
APPLICATION SPEC 取付適用規格	SIZE A3
WEIGHT	CAGE CODE 00779
CUSTOMER DRAWING	DRAWING NO C-5176371
	SCALE 2:1
	SHEET 1 OF 1
	REV A