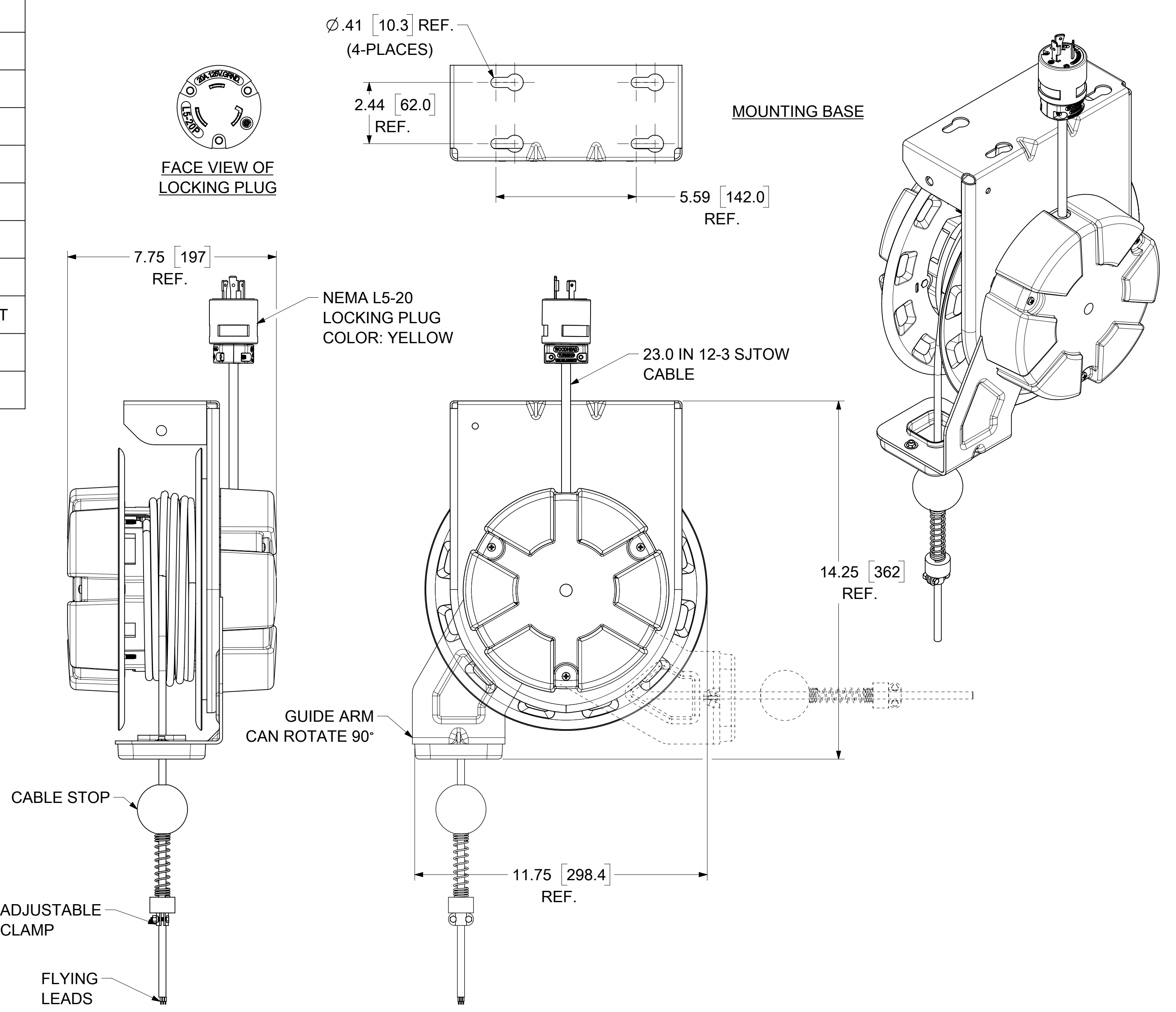


ORDER NO	130091-0205
WOODHEAD ENG. NO	998L
WIRE GAUGE	12
CONDUCTORS	3
AMPERAGE	20A
WORKING CORD	35 FT. BLACK
CORD TYPE	SJTOW
CONSTRUCTION	STEEL
PAINT	YELLOW POWDER COAT
REEL ENCLOSURE RATING	INDOOR
RETRACTION WEIGHT	3.0 LB [1.4 KG]



- NOTES:**
1. CABLE GUIDE IS ADJUSTABLE - DUAL POSITION
 2. RATCHET LOCK IS EASY TO DISENGAGE FOR CONSTANT TENSION.
 3. REEL CANNOT BE "LOCKED OUT" AT FULL TENSION.
 4. CABLE STOP INCLUDED

FUNCTIONAL SYMBOLS	THIS DRAWING CONTAINS INFORMATION THAT IS PROPRIETARY TO MOLEX ELECTRONIC TECHNOLOGIES, LLC AND SHOULD NOT BE USED WITHOUT WRITTEN PERMISSION		
	DIMENSION UNITS	SCALE	
$\frac{F}{A} = 0$	INCH/MM	NTS	
$\frac{F}{E} = 0$	GENERAL TOLERANCES (UNLESS SPECIFIED)		
$\frac{F}{P} = 0$		MM	INCH
DIVISIONAL SYMBOLS	4 PLACES	±	±
	3 PLACES	±	± 0.005
	2 PLACES	± 0.13	± 0.01
	1 PLACE	± 0.25	± 0.02
	0 PLACES	±	±
	ANGULAR TOL	± 0.5°	
DRAFT WHERE APPLICABLE MUST REMAIN WITHIN DIMENSIONS		THIRD ANGLE PROJECTION	DRAWING C-SIZE
		SERIES 130091	
		EC NO: 670504	2020/06/15
		DRWN: DSOPPIN	2022/06/07
		CHK'D: DSOPPIN	2022/06/07
		APPR: HKNEELAND	2022/06/09
		INITIAL REVISION:	
		DRWN: KCOX01	2015/07/30
		APPR: JFMURPHY	2015/09/17
		DOCUMENT NUMBER	DOC TYPE DOC PART REVISION
		SD-130091-015	PSD 001 A1
		MATERIAL NUMBER	CUSTOMER
		SEE TABLE	GENERAL MARKET
		SHEET NUMBER	1 OF 1