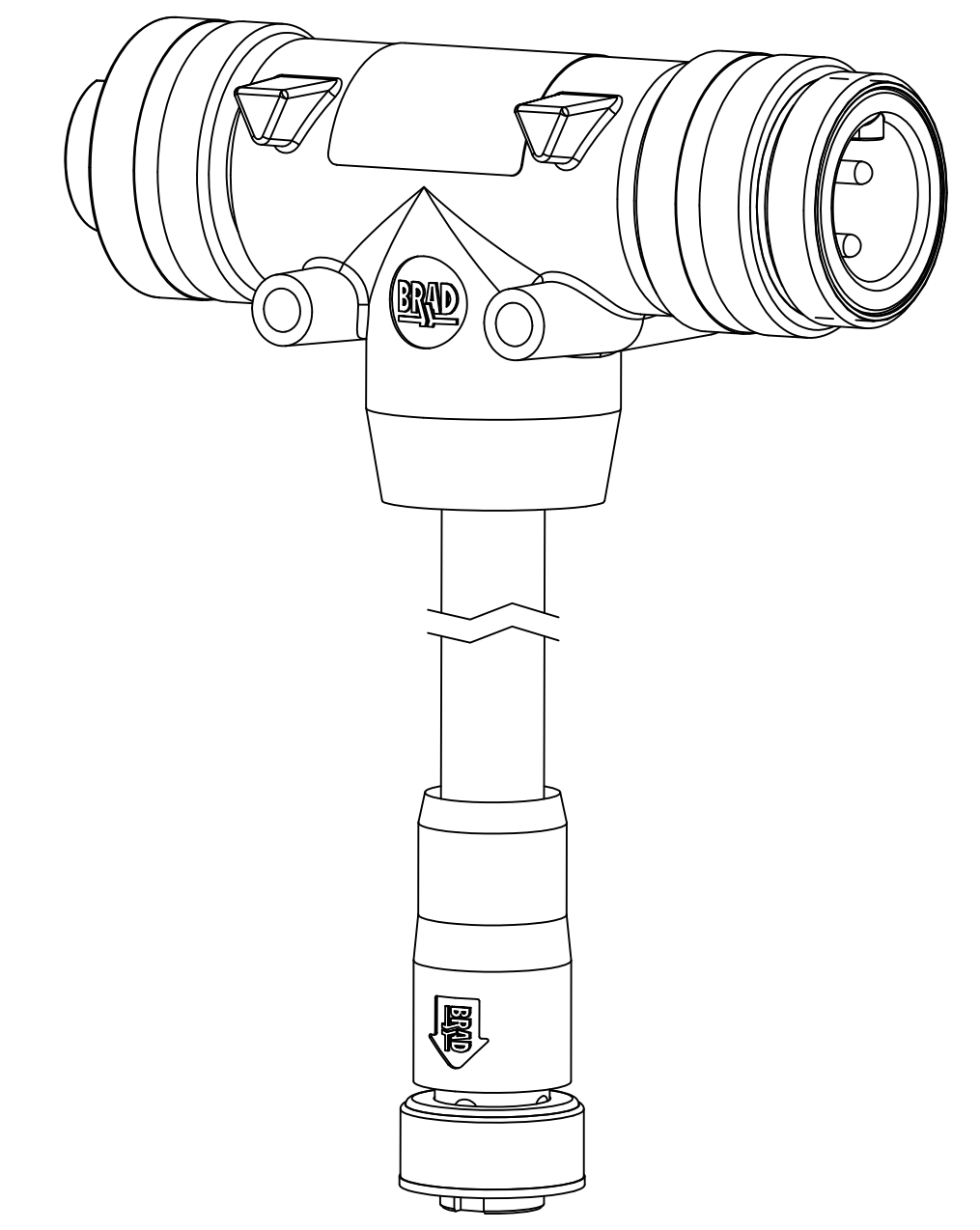
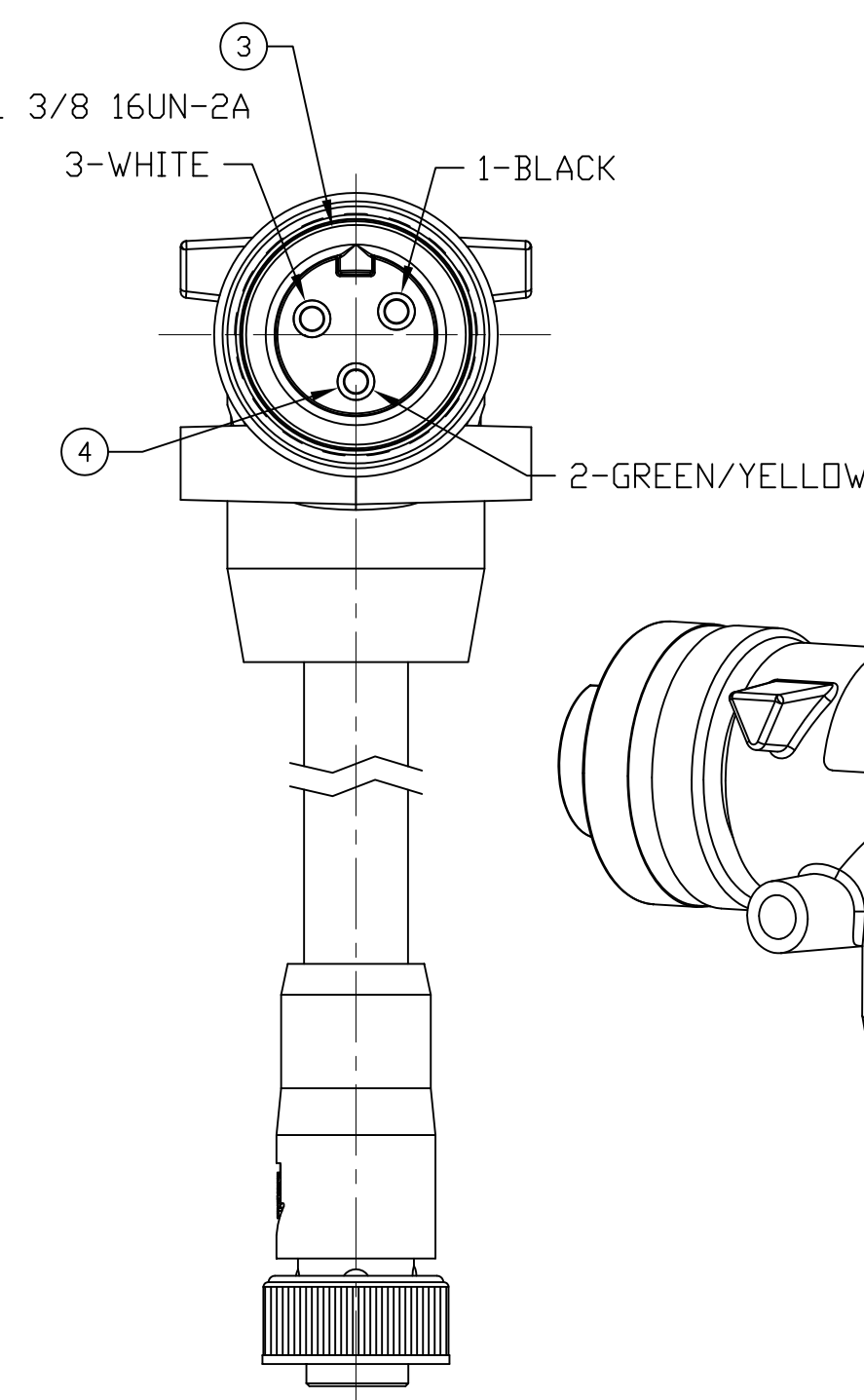
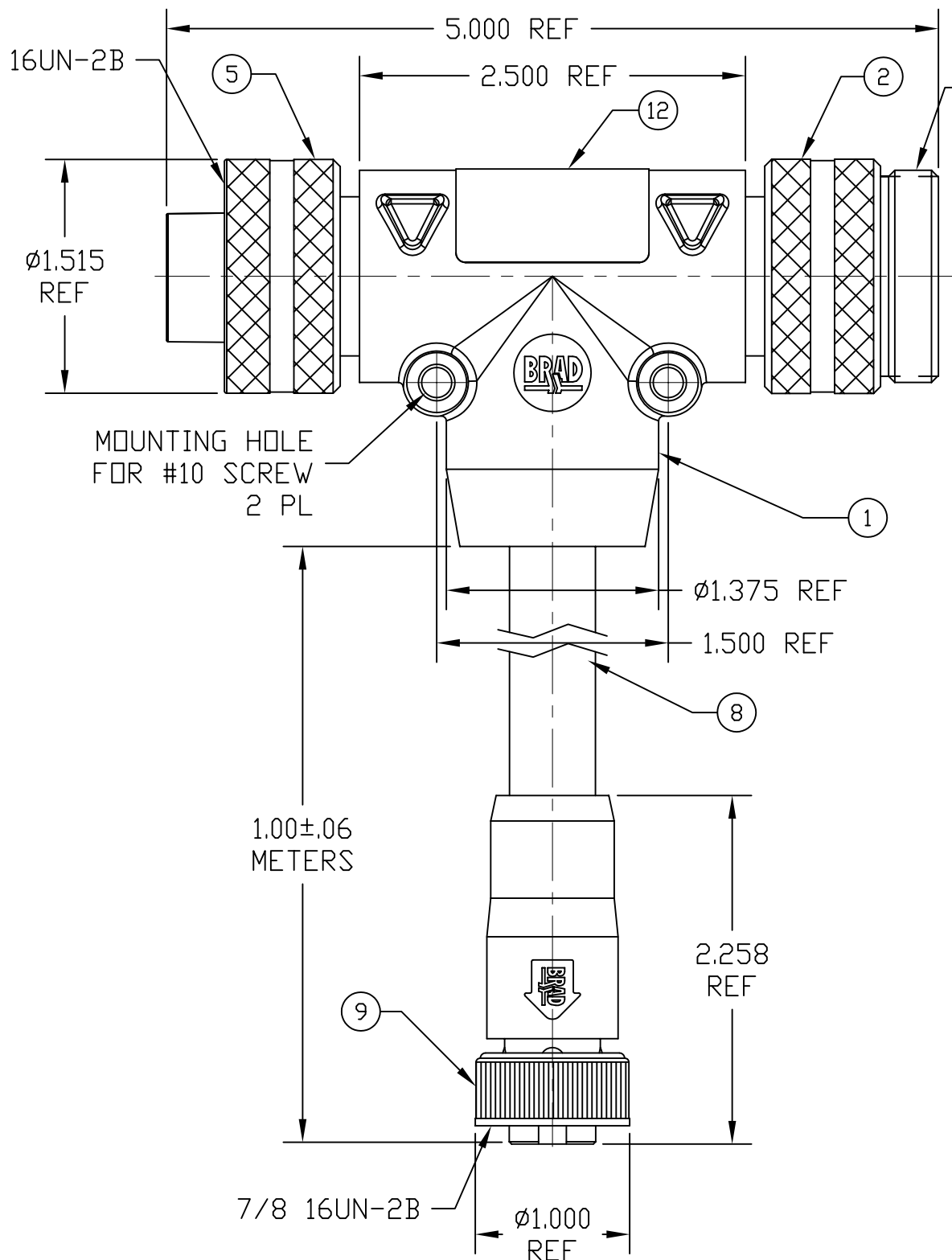
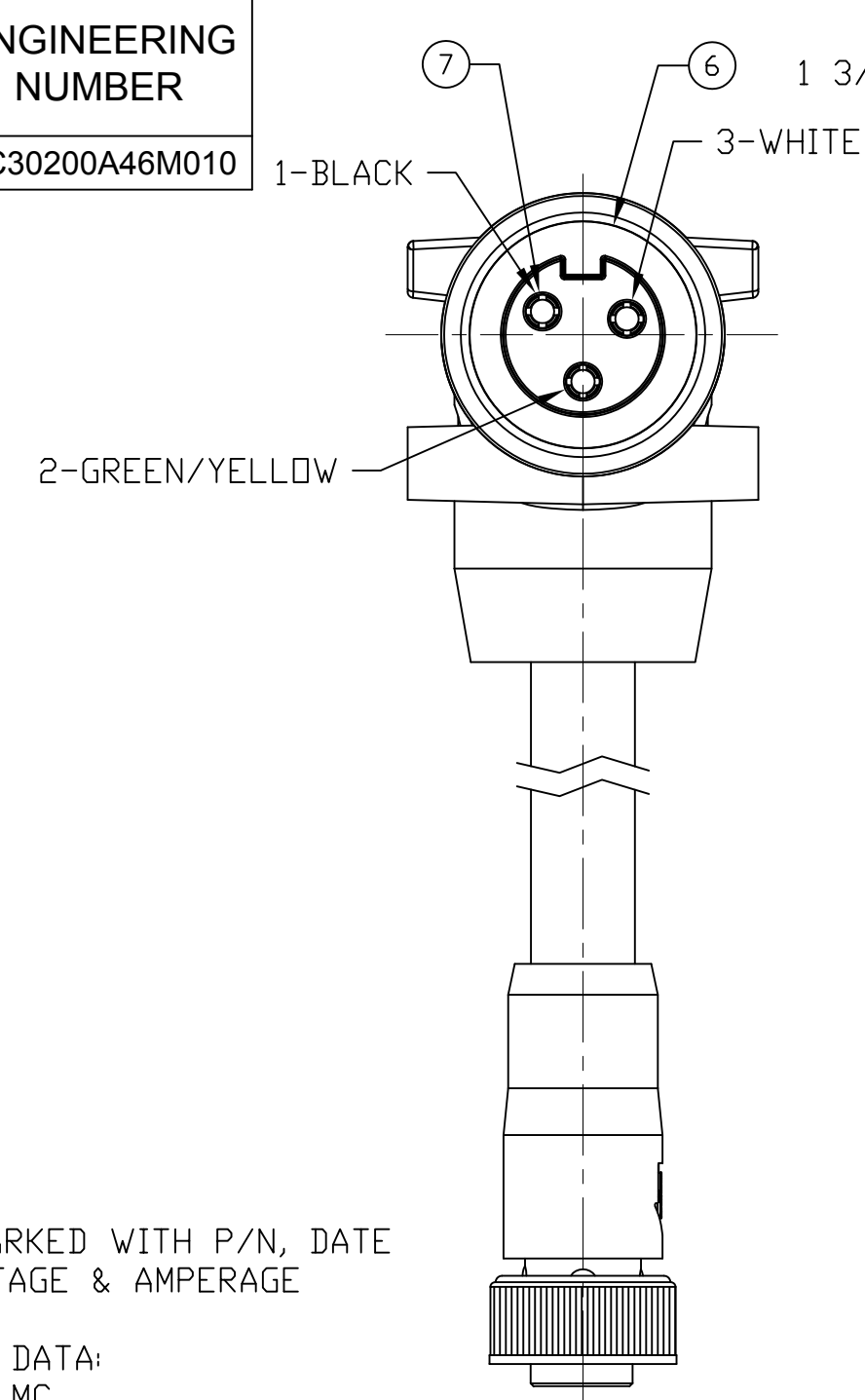
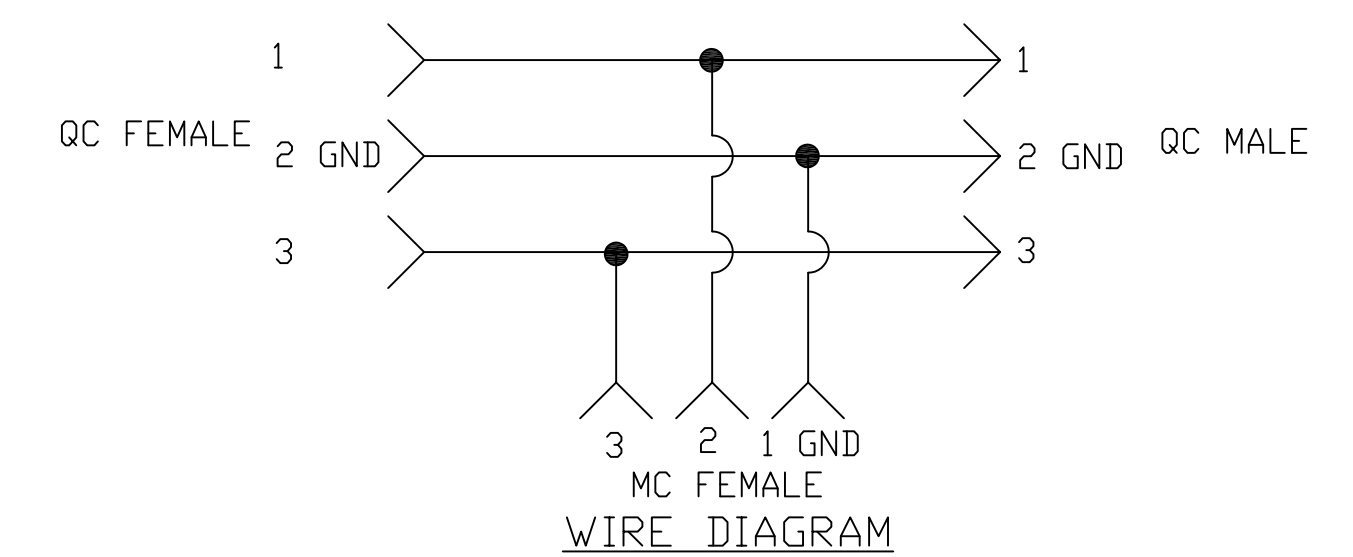
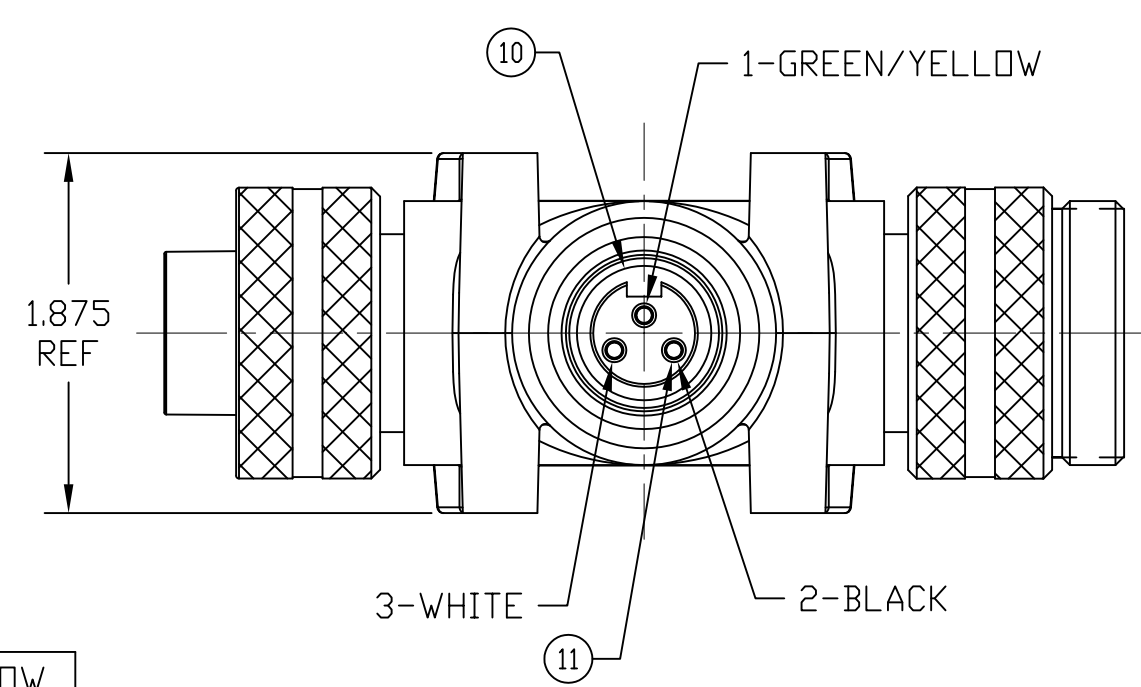


PART NUMBER	ENGINEERING NUMBER
1300680042	TC30200A46M010



- NOTE:
- LABEL IS MARKED WITH P/N, DATE CODE, VOLTAGE & AMPERAGE
 - ELECTRICAL DATA:
TEE QC TO MC
POLES: 3
MAX. VOLTAGE: 600V AC/DC
MAX. THRU CURRENT: 30A
MAX. DROP CURRENT: 15A
PROTECTION: IP67
TEMPERATURE RANGE: -20°C TO 90°C
 - PACKAGING:
ASSEMBLIES ARE BAGGED SEPARATELY IN POLY BAGS WITH BAR CODE LABEL ATTACHED TO THE OUTSIDE OF THE BAG.
 - ASSEMBLY IS RoHS COMPLIANT
 - CERTIFICATION:
UL LISTED/CSA CERTIFIED , FILE E258922



ITEM	QTY	DESCRIPTION	MATERIAL	FINISH
12	1	LABEL	PLASTIC FILM	BLACK/YELLOW
11	3	MC SOCKET CONTACT	COPPER ALLOY	GOLD PLATED
10	1	MC FEMALE INSERT	PVC	BLACK
9	1	MC COUPLING NUT	ZINC ALLOY	BLACK E-COAT
8	A/R	CABLE, 14AWG-3 TYPE TC-ER, ST00W	PVC	GRAY
7	3	QC SOCKET CONTACT	COPPER ALLOY	GOLD PLATED
6	1	QC FEMALE INSERT	PVC	BLACK
5	1	QC FEMALE COUPLING NUT	ALUMINUM	CLEAR ANODIZE
4	3	QC PIN CONTACT	COPPER ALLOY	GOLD PLATED
3	1	QC MALE INSERT	PVC	BLACK
2	1	QC MALE COUPLING NUT	ALUMINUM	CLEAR ANODIZE
1	1	OVERMOLD	PVC	GRAY

INITIAL RELEASE
EC NO: WNA2010-0439
DRWN: KJOZWIK 2010/01/15
CH'KD: BWOODMAN
APPR: JFMURPHY 2010/01/20
REV A

QUALITY SYMBOL
▽=0
C/▽=0

GENERAL TOLERANCES (UNLESS SPECIFIED)

	mm	INCH
4 PLACES	±---	±---
3 PLACES	±---	±.005
2 PLACES	±0.13	±.010
1 PLACE	±0.25	±.020

ANGULAR ±1/2°
DRAFT WHERE APPLICABLE MUST REMAIN WITHIN DIMENSIONS

DIMENSION STYLE IN/MM
DRAWN BY DATE
KJOZWIK 2010/01/15
CHECKED BY DATE
BWOODMAN 2010/01/15
APPROVED BY DATE
JFMURPHY 2010/01/20
MATERIAL NO.
SEE TABLE
SIZE C

SCALE 1:1
DESIGN UNITS INCH
THIRD ANGLE PROJECTION
TITLE
BRAD POWER
QC 3 POLE TEE
W/3 POLE MC CBL DROP
MOLEX INCORPORATED
DOCUMENT NO. SD-130068-014
SHEET NO. 1 OF 1
THIS DRAWING CONTAINS INFORMATION THAT IS PROPRIETARY TO MOLEX INCORPORATED AND SHOULD NOT BE USED WITHOUT WRITTEN PERMISSION