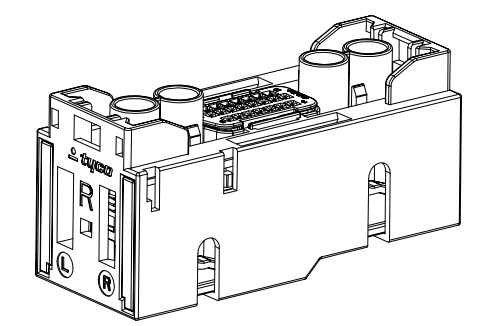
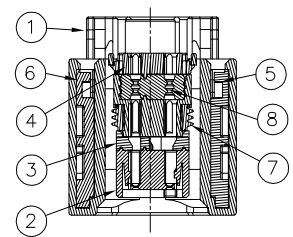
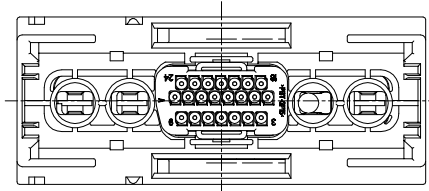


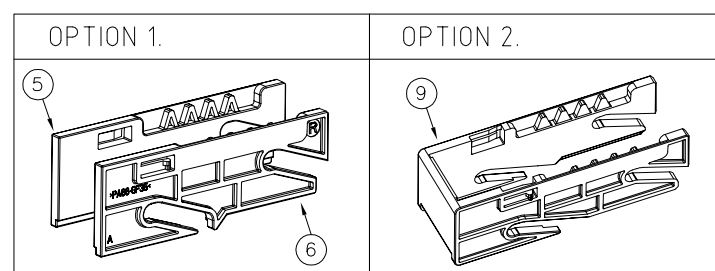
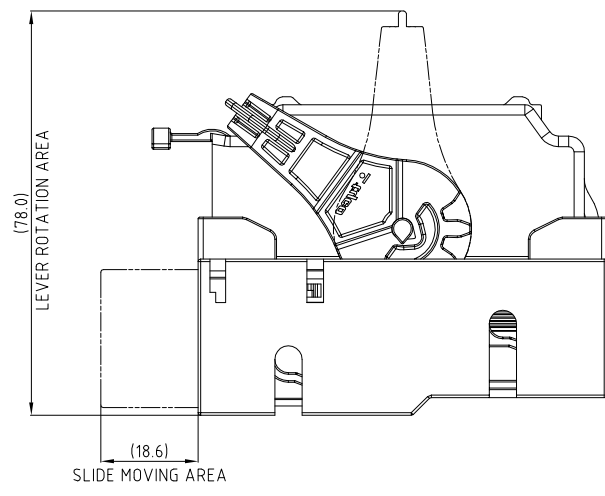
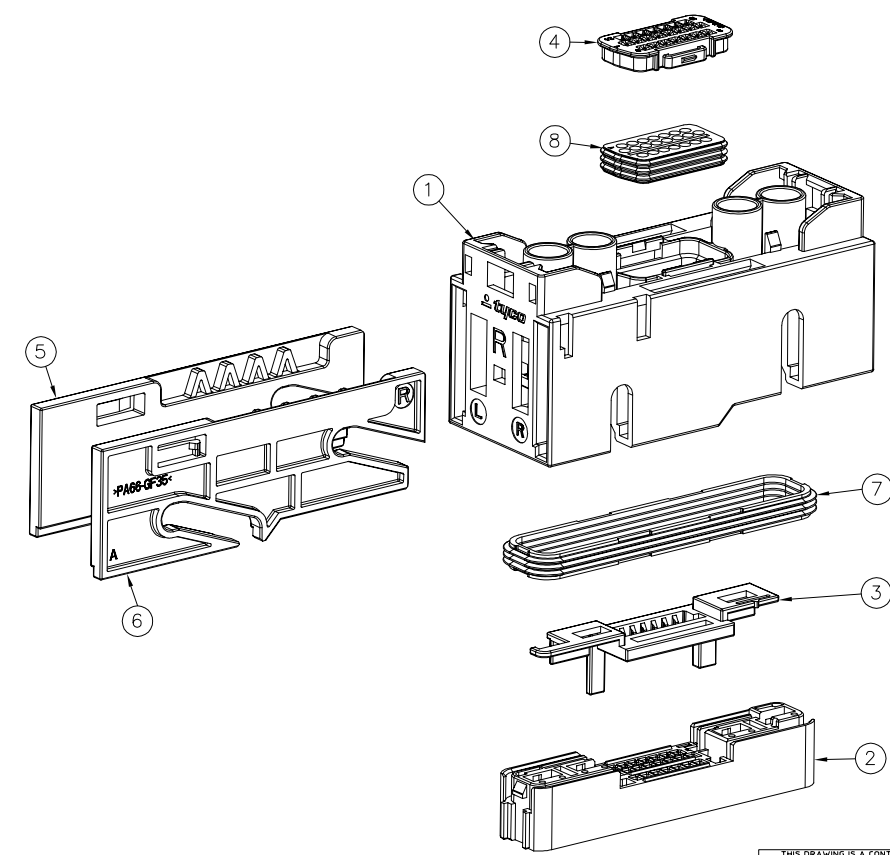
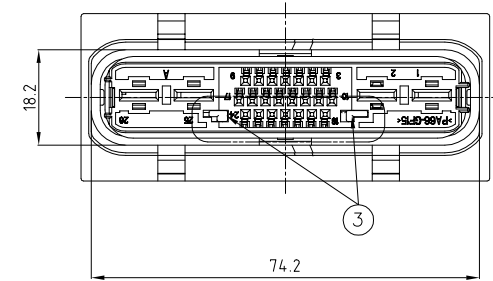
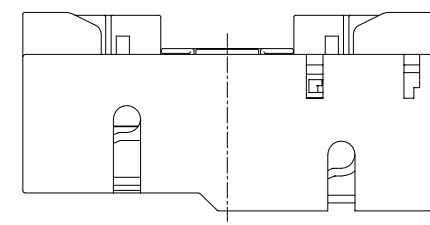
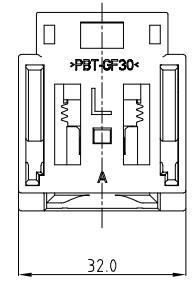
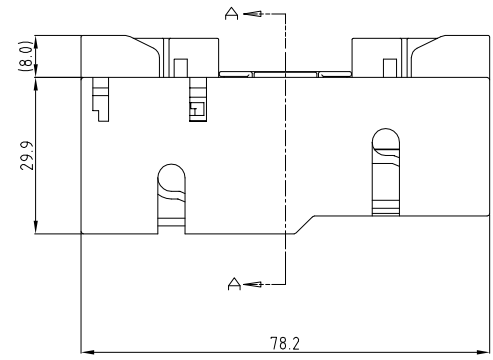
REVISIONS					
P	LTR	DESCRIPTION	DATE	DWN	APVD
	A	RELEASED	15/JAN/07	YD	JK
	B	REVISED (ECR-08-018332)	26/AUG/08	SW	HG



- NOTES:
1. GENERAL TOLERANCE IS ±0.3
 2. CONDITION OF DELIVERY
 3. APPLIED TAB CONTACT P/N : TABLE 1

-TABLE 1-

TYPE	Part NO.	WIRE SIZE(mm ²)	Wire Insulation range(mm)	WIRE SEAL Part NO.
MQS C/B	968220	0.2 - 0.5	φ1.15 - 1.6	
	968221	0.5 - 0.75	φ1.7 - 1.9	
	Ⓟ 2005119	0.2 - 0.5	φ1.15 - 1.6	
	Ⓟ 2005120	0.5 - 0.75	φ1.7 - 1.9	
MCP6.3K	1241416	3.0	φ3.4 - 3.7	963245



THIS DRAWING IS A CONTROLLED DOCUMENT FOR TYCO ELECTRONICS CORPORATION. IT IS SUBJECT TO CHANGE AND THE CONTROLLING ENGINEERING ORGANIZATION SHOULD BE CONTACTED FOR THE LATEST REVISION.

DWN : SW NA
 CHK : YM CHOI
 APVD : HG CHOI

TE Connectivity

NAME: MQS/MCP6.3K HYBRID 26P PLUG ASS'Y

SIZE: A2 CAGE CODE: 00779 DRAWING NO: 1743704 RESTRICTED TO

MATERIAL: SEE TABLE FINISH: CUSTOMER DRAWING

SCALE: 1/1 SHEET: 1 OF 1 REV: B

NO.	DESCRIPTION	MATERIAL	COLOR	Q'TY
Ⓟ 9	ONE BODY SLIDE	PA66-GF35	BLACK	1
Ⓟ 8	FAMILY SEAL	SILICONE	RED-ORANGE	1
Ⓟ 7	INNER SEAL	SILICONE	RED-ORANGE	1
Ⓟ 6	SLIDE(RH)	PA66-GF35	BLACK	1
Ⓟ 5	SLIDE(LH)	PA66-GF35	BLACK	1
Ⓟ 4	SEAL RETAINER	PBT-GF15	BLACK	1
Ⓟ 3	DBL	PBT-GF30	GRAY	1
Ⓟ 2	SUB PLUG	PA66-GF15	BLACK	1
Ⓟ 1	MAIN PLUG	PBT-GF30	BLACK	1