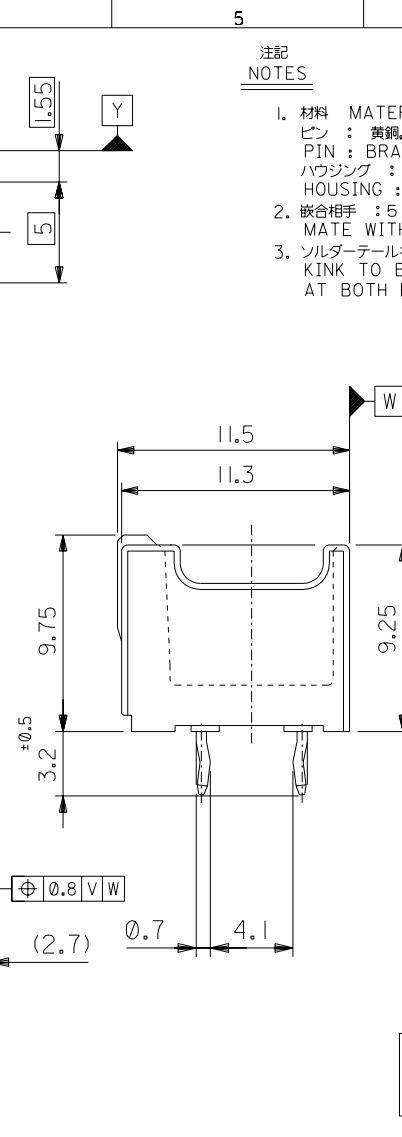
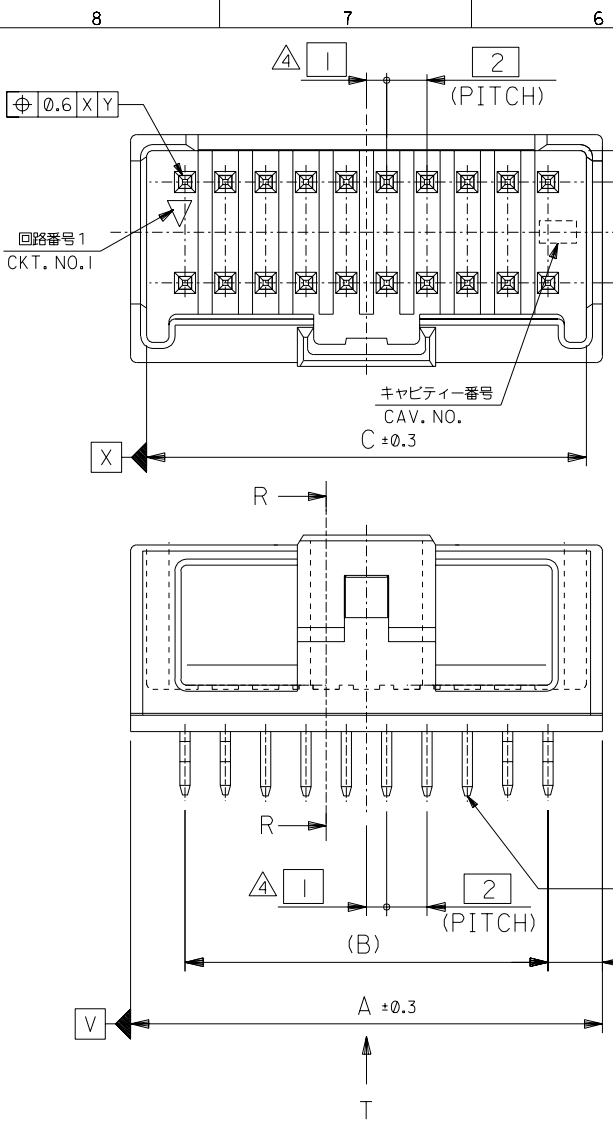


DO NOT SCALE DRAWING



無鉛
LEAD FREE

注記
NOTES

- 材料 MATERIAL
ピン : 黄銅, ニッケル下地鍍メッキ
PIN : BRASS, Sn OVER Ni PLATED
ハウジング : PBT (ガラス入り: 15%), UL94V-0
HOUSING : PBT(G.F.: 15%), UL94V-0
- 嵌合相手 : 51353シリーズ
MATE WITH : 51353 SERIES
- ソルダーテールキンは、両端の8ピンのみとする。
KINK TO BE APPLIED FOR 8 PINS AT BOTH ENDS.

△ (全極数/2) = 偶数の場合に適用。
APPLY FOR (CIRCUIT/2)=EVEN

△ 製品番号
MATERIAL NO.
55917-***3*

極数 CIRCUIT SIZE 色 COLOR

| | |
|------------------------------|---|
| ナチュラル (白) NATURAL (WHITE) | 0 |
| 黒 BLACK | 1 |
| 赤 RED | 2 |
| 黄 YELLOW | 3 |
| 青 BLUE | 4 |
| 桃 PINK | 5 |
| 緑 GREEN | 6 |
| 茶 BROWN | 7 |
| 橙 ORANGE | 8 |
| 紫 VIOLET | 9 |

| | | | | |
|------|----|------|--------------|------|
| 41.8 | 38 | 43.4 | 55917-403* | 40 |
| 39.8 | 36 | 41.4 | -383* | 38 |
| 37.8 | 34 | 39.4 | -363* | 36 |
| 35.8 | 32 | 37.4 | -343* | 34 |
| 33.8 | 30 | 35.4 | -323* | 32 |
| 31.8 | 28 | 33.4 | -303* | 30 |
| 29.8 | 26 | 31.4 | -283* | 28 |
| 27.8 | 24 | 29.4 | -263* | 26 |
| 25.8 | 22 | 27.4 | -243* | 24 |
| 23.8 | 20 | 25.4 | -223* | 22 |
| 21.8 | 18 | 23.4 | -203* | 20 |
| 19.8 | 16 | 21.4 | -183* | 18 |
| 17.8 | 14 | 19.4 | -163* | 16 |
| 15.8 | 12 | 17.4 | -143* | 14 |
| 13.8 | 10 | 15.4 | -123* | 12 |
| 11.8 | 8 | 13.4 | -103* | 10 |
| 9.8 | 6 | 11.4 | 55917-083* | 8 |
| C | B | A | MATERIAL NO. | CKT. |

| | | | |
|---|---|---|---|
| REVISED | REVISED | REVISED | RELEASED |
| 63NO. J2003-3290 DRWN:N.IITO '03/06/26 CHK: K.ASAKAWA APPR:T.YAMAGUCHI | 62NO. J2003-3134 DRWN:N.IITO '03/06/19 CHK: K.ASAKAWA APPR:T.YAMAGUCHI | 61NO. J2002-2307 DRWN:N.IITO '02/03/18 CHK: K.ASAKAWA APPR:T.YAMAGUCHI | 60NO. J2002-1826 DRWN:N.IITO '02/02/28 CHK: K.ASAKAWA APPR:T.YAMAGUCHI |
| C | B | A | 0 |

| | |
|----------------------|-------------------|
| MATERIAL 材料 | 注記参照 SEE NOTES |
| FINISH 仕上げ | // |
| WIRE RANGE 適用線径範囲 | // |
| INS. RANGE 被覆外径 | // |

| | | |
|---|-------------|--|
| GENERAL TOLERANCES: (UNLESS SPECIFIED) 一般公差 | SCALE // | DESIGN UNITS <input checked="" type="checkbox"/> mm <input type="checkbox"/> INCH |
| 10 UNDER 未満 | ±0.2 | |
| 10 OVER 30 UNDER 以上 未満 | ±0.25 | |
| 30 OVER 以上 | ±0.3 | |
| ANGLE 角度 | ±3° | |

| | | | | | | |
|--|---|---|---|--------------------|--------|-----------|
| 55917-***3* | | MODEL NO. | DIMENSIONS: 2.0mm W+T-B DUAL CONN DIP | | SHT | REV |
| <input checked="" type="checkbox"/> FIRST ANGLE PROJECTION | <input type="checkbox"/> mm <input type="checkbox"/> INCH | <input type="checkbox"/> mm ONLY | TITLE: 2.0mm W+T-B DUAL CONN DIP PLUG HOUSING ASS'Y ST (WITHOUT BOSS) | | 1 OF 2 | |
| DRAWN BY & DATE N.IITO '02/02/28 | | APPROVED BY & DATE T.YAMAGUCHI '03/06/26 | | MOLEX INCORPORATED | | |
| CAD FILENAME 55917005.S01 | MATERIAL NO. SEE CHART | DRAWING NO. SD-55917-005 | SHEET NO. 1 OF 2 | | | |
| * THIS DRAWING CONTAINS INFORMATION THAT IS PROPRIETARY TO MOLEX INCORPORATED AND SHOULD NOT BE USED WITHOUT WRITTEN PERMISSION. | | | | | | SIZE B |

