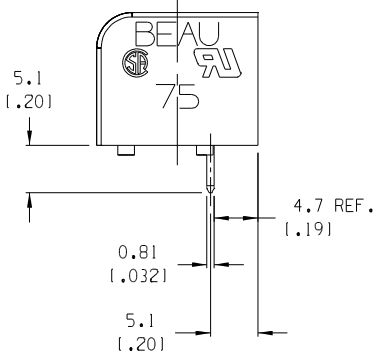
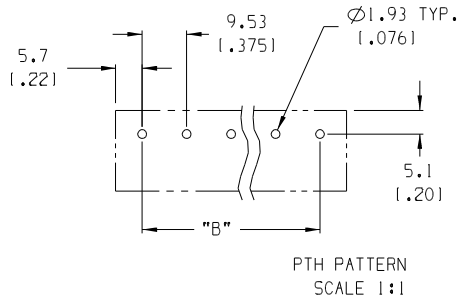
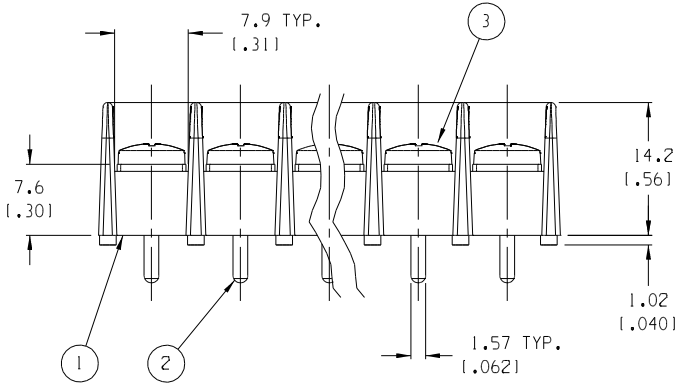
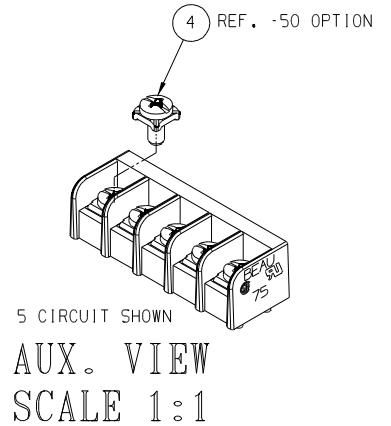
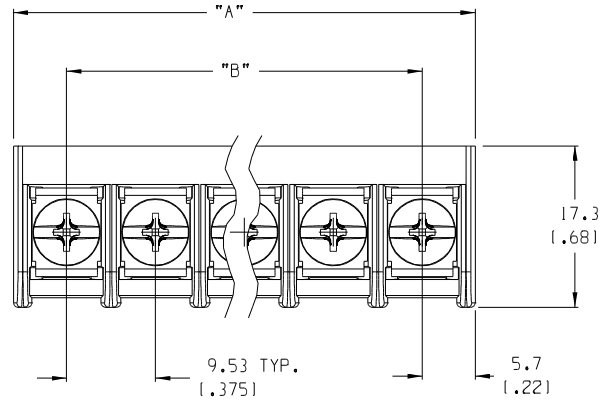


| NO. OF CIRC. | DIM "A"      | DIM "B"        | MATERIAL NO. -C, -P OPT. | MATERIAL NO. -C, -P, -50 OPT. |
|--------------|--------------|----------------|--------------------------|-------------------------------|
| 02           | 20.9 [0.82]  | 9.53 [1.375]   | 387506602                | 387507802                     |
| 03           | 30.4 [1.20]  | 19.05 [1.750]  | 387506603                | 387507803                     |
| 04           | 39.9 [1.57]  | 28.58 [1.125]  | 387506604                | 387507804                     |
| 05           | 49.5 [1.95]  | 38.10 [1.500]  | 387506605                | 387507805                     |
| 06           | 59.0 [2.32]  | 47.63 [1.875]  | 387506606                | 387507806                     |
| 07           | 68.5 [2.70]  | 57.15 [2.250]  | 387506607                | 387507807                     |
| 08           | 78.0 [3.07]  | 66.68 [2.625]  | 387506608                | 387507808                     |
| 09           | 87.6 [3.45]  | 76.20 [3.000]  | 387506609                | 387507809                     |
| 10           | 97.1 [3.82]  | 85.73 [3.375]  | 387506610                | 387507810                     |
| 11           | 106.6 [4.20] | 95.25 [3.750]  | 387506611                | 387507811                     |
| 12           | 116.1 [4.57] | 104.78 [4.125] | 387506612                | 387507812                     |
| 13           | 125.7 [4.95] | 114.30 [4.500] | 387506613                | 387507813                     |
| 14           | 135.2 [5.32] | 123.83 [4.875] | 387506614                | 387507814                     |
| 15           | 144.7 [5.70] | 133.35 [5.250] | 387506615                | 387507815                     |
| 16           | 154.2 [6.07] | 142.88 [5.625] | 387506616                | 387507816                     |
| 17           | 163.8 [6.45] | 152.40 [6.000] | 387506617                | 387507817                     |
| 18           | 173.3 [6.82] | 161.93 [6.375] | 387506618                | 387507818                     |
| 19           | 182.8 [7.20] | 171.45 [6.750] | 387506619                | 387507819                     |
| 20           | 192.3 [7.57] | 180.98 [7.125] | 387506620                | 387507820                     |
| 21           | 201.9 [7.95] | 190.50 [7.500] | 387506621                | 387507821                     |
| 22           | 211.4 [8.32] | 200.03 [7.875] | 387506622                | 387507822                     |
| 23           | 220.9 [8.70] | 209.55 [8.250] | 387506623                | 387507823                     |
| 24           | 230.4 [9.07] | 219.08 [8.625] | 387506624                | 387507824                     |
| 25           | 240.0 [9.45] | 228.60 [9.000] | 387506625                | 387507825                     |
| 26           | 249.5 [9.82] | 238.13 [9.375] | 387506626                | 387507826                     |



- NOTES:
1. MATERIAL: SEE TABLE
  2. FINISHES: SEE TABLE
  3. PRODUCT SPECIFICATION: NOT REQUIRED
  4. PACKAGING: NOT REQUIRED
  5. MATES WITH: NONE
  6. "XX" REFERS TO QUANTITY OF CIRCUITS

| ITEM | QTY. | DESCRIPTION                                    | MATERIAL      | FINISH             |
|------|------|--|---------------|--------------------|
| 4    | XX   | SCREW W/SO, WASHER, #6-32X.250, PHIL-SLOT, -50 | STEEL         | ZN, CLEAR CHROMATE |
| 3    | XX   | SCREW, #6-32X.250, BHD, PHIL-SLOT, STD.        | STEEL         | ZN, CLEAR CHROMATE |
| 2    | XX   | TERMINAL, PC                                   | BRASS         | TIN PLATE          |
| 1    | 1    | INSULATOR                                      | THERMOPLASTIC | BLACK              |

|  |   |  |                                     |  |  |   |                              |                |
|--|---|--|-------------------------------------|--|--|---|------------------------------|----------------|
| EC NO. RELEASED<br>CLY<br>DRWN: CH/K1<br>APPR: | QUALITY SYMBOLS<br>MAJOR :<br>CRITICAL C :<br>SPC S : | GENERAL TOLERANCES:<br>(UNLESS SPECIFIED)            |                                     | SCALE 2:1  | DESIGN UNITS<br><input type="checkbox"/> mm <input checked="" type="checkbox"/> INCH | THIRD ANGLE PROJECTION  | PROJECT NO. -<br>DIMENSIONS: | SHT -<br>REV - |
|  |   | 4 PLACES mm ±.0015 INCH ±.0015                       | DRAWN BY & DATE<br>C. YORK 06-17-05 | TITLE:<br>9.53mm [1.375"] SR BTS, PC, CS<br>ASSY, NO MTG, STANDOFF PADS  |  | DIMENSIONS:<br><input checked="" type="checkbox"/> mm <input type="checkbox"/> INCH<br><input type="checkbox"/> mm <input type="checkbox"/> INCH ONLY | REVISE ON CAD ONLY           |                |
|  |   | 3 PLACES ±.038 ±.005                                 | CHECKED BY & DATE                   | MOLEX INCORPORATED   |  | MATERIAL NO. SEE CHART  |                              |                |
|  |   | 2 PLACES ±.13 ±.01                                   | APPROVED BY & DATE                  | CAD FILENAME<br>755XX-C-P  | DRAWING NO.<br>SD-38750-002  | SHEET NO.<br>1 OF 1   | SIZE<br>B                    |                |
| 1 PLACE ±.3                                    | ANGULAR: ±2°  | DRAFT WHERE APPLICABLE MUST REMAIN WITHIN DIMENSIONS |                                     | THIS DRAWING CONTAINS INFORMATION THAT IS PROPRIETARY TO MOLEX INCORPORATED AND SHOULD NOT BE USED WITHOUT WRITTEN PERMISSION. |  |   |                              |                |