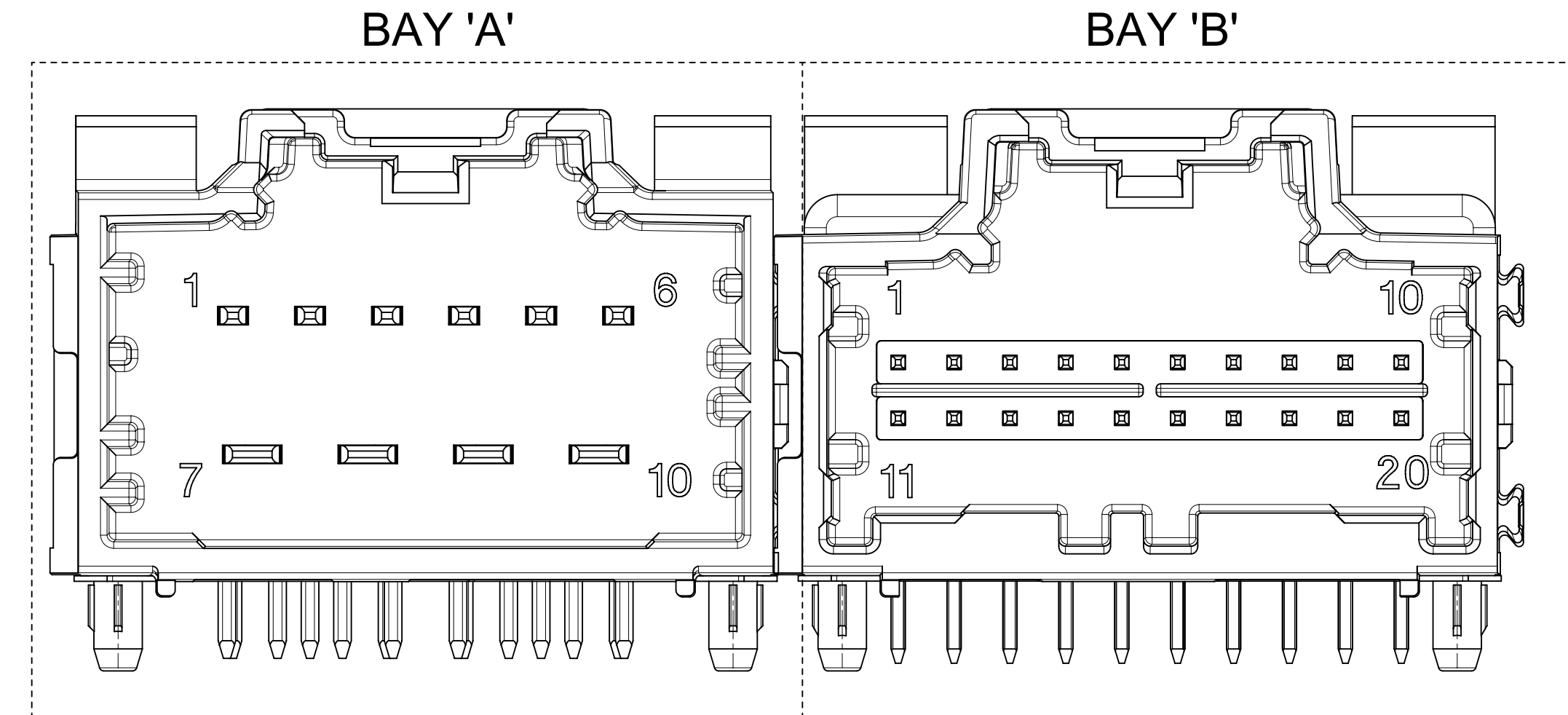


2 BAY STAC64 RIGHT ANGLE HEADER ASSEMBLY (P/N: 34708-2012 SHOWN)



NOTES: VALID UNLESS OTHERWISE SPECIFIED

1. GENERAL:

- a. CONNECTOR HEADER MUST BE VALIDATED TO THE FOLLOWING FUNCTIONAL REQUIREMENTS:
 PRODUCT SPECIFICATION:
 8-20 CKT 0.64 PRODUCT SPEC: PS-34729-020/PS-31408-100
 10/14 CKT HYBRID PRODUCT SPEC: PS-31372-100
- b. APPLICATION REQUIREMENTS (REFERENCE ONLY):
 APPLICATION SPECIFICATION: AS-34729-020/AS-31408-100
- c. PACKAGING SPECIFICATION PER MOLEX DRAWING PK-31300-892 (TRAY)
- d. PACKAGING SPECIFICATION PER MOLEX DRAWING PK-31301-063 (TUBE)
- e. PACKAGING SPECIFICATION PER MOLEX DRAWING PK-31300-894 (ALT TRAY)

2. DESIGN: MATERIALS:

- a. SHROUD (PLASTIC HOUSING):
 RESIN - SPS 30%GF
 COLOR:

POL A - BLACK
 POL B - GRAY
 POL C - BROWN
 POL D - GREEN

b. 0.64mm PINS:

BASE MATERIAL: C26000
 PLATING TYPE: AS NOTED
 1.5/2.8mm BLADES:
 BASE MATERIAL: C19400
 PLATING TYPE: AS NOTED

3. PLATING REQUIREMENTS:

- a. UNDERPLATING - OVERALL NICKEL
- b. OVERPLATING - OVERALL TIN

4. FOR ADDITIONAL INFORMATION AND DIMENSIONS OF INDIVIDUAL BAYS

REFER TO THE FOLLOWING SINGLE BAY DRAWINGS:


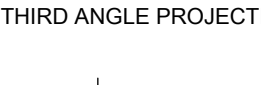
8-20 CKT 0.64: SD-34691-100
 10 CKT HYBRID: SD-34696-100
 14 CKT HYBRID: SD-34773-010

5. G DENOTES DIMENSIONS THAT MAY BE QUALIFIED WITH A GAUGE.

QUALITY SYMBOLS	THIS DRAWING CONTAINS INFORMATION THAT IS PROPRIETARY TO MOLEX ELECTRONIC TECHNOLOGIES, LLC AND SHOULD NOT BE USED WITHOUT WRITTEN PERMISSION																
▽ = 0	ADDED NEW P/N 34708-2047 EC NO: 617230 DRWN: SHANDITHAVAL CHKD: RBAUMAN REV APPR: RBAUMAN	2019/05/14	2019/05/14	2019/05/14	2019/05/14	2019/05/14	2019/05/14	2019/05/14	2019/05/14	2019/05/14							
▽ = 0		GENERAL TOLERANCES (UNLESS SPECIFIED)		DIMENSION UNITS	SCALE	2-BAY STAC64 RIGHT ANGLE HEADER ASSEMBLY SALES DRAWING PRODUCT CUSTOMER DRAWING											
▽ = 0		ANGULAR TOL ± 1.0 °		mm	4:1												
▽ = 0		4 PLACES ±	DRWN BY	DATE	MBAILEY							2008/08/14					
▽ = 0		3 PLACES ±	CHKD BY	DATE	CDILLON							2009/02/17					
▽ = 0		2 PLACES ± 0.13	APPR BY	DATE	SMARCEAU							2008/08/14					
▽ = 0		1 PLACE ± 0.25	DRAWING SIZE	THIRD ANGLE PROJECTION								SERIES	MATERIAL NUMBER	CUSTOMER			
▽ = 0		0 PLACES ±	DRAFT WHERE APPLICABLE MUST REMAIN WITHIN DIMENSIONS	D	34708							SEE CHART	GENERAL MARKET				
▽ = 0		□ = 0	Y2	6	5							4	3	2	1	1	6
▽ = 0		■ = 0	2019/05/14	20:35:59	16							15	14	13	12	11	10
▽ = 0	□ = 0	P1	RELEASE DATE	18	17							16	15	14	13	12	
▽ = 0	□ = 0	RELEASE STATUS	2019/05/14	19	18	17	16	15	14	13							

DIMENSIONAL CHART FOR MULTIBAY CONFIGURATION:

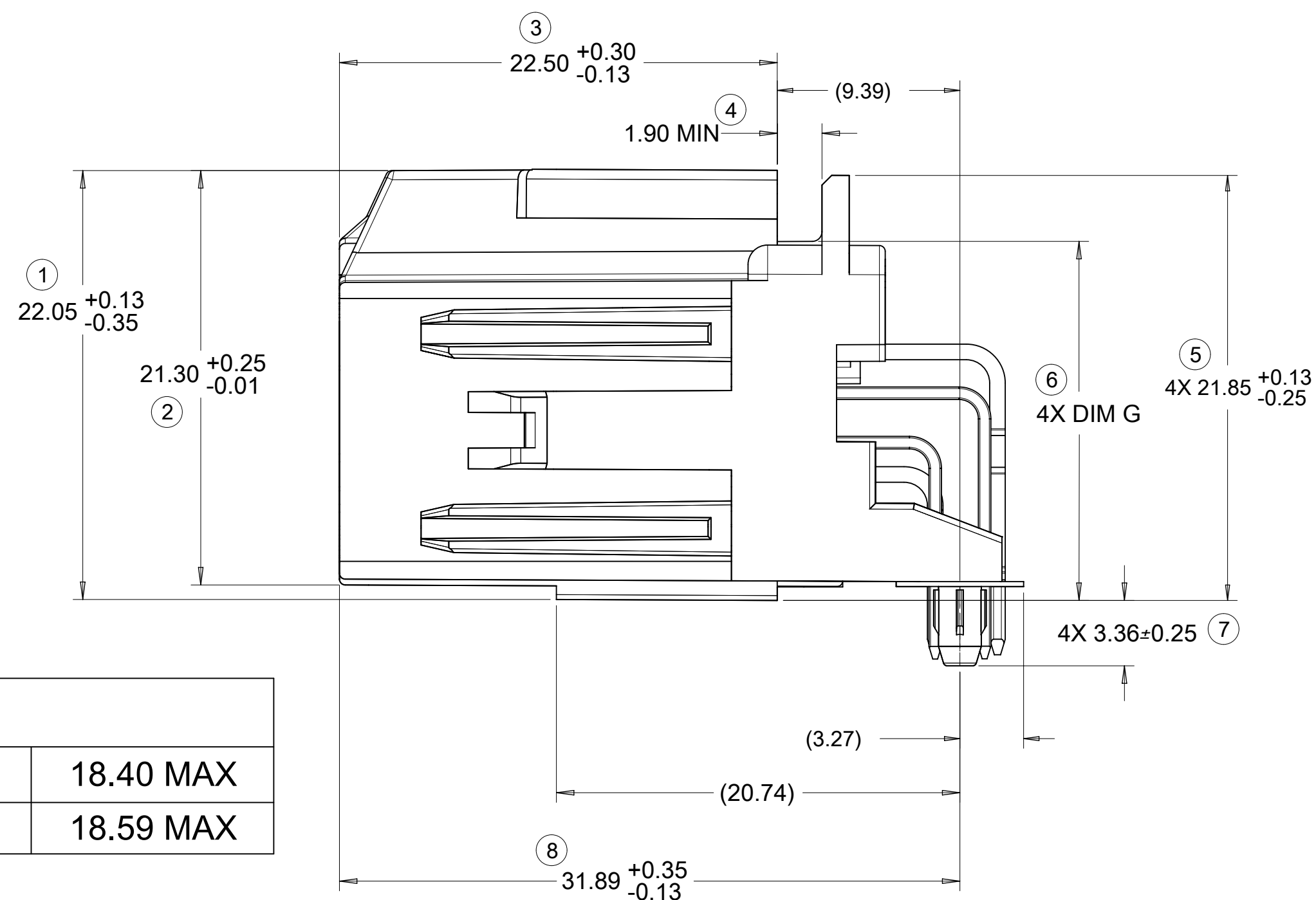
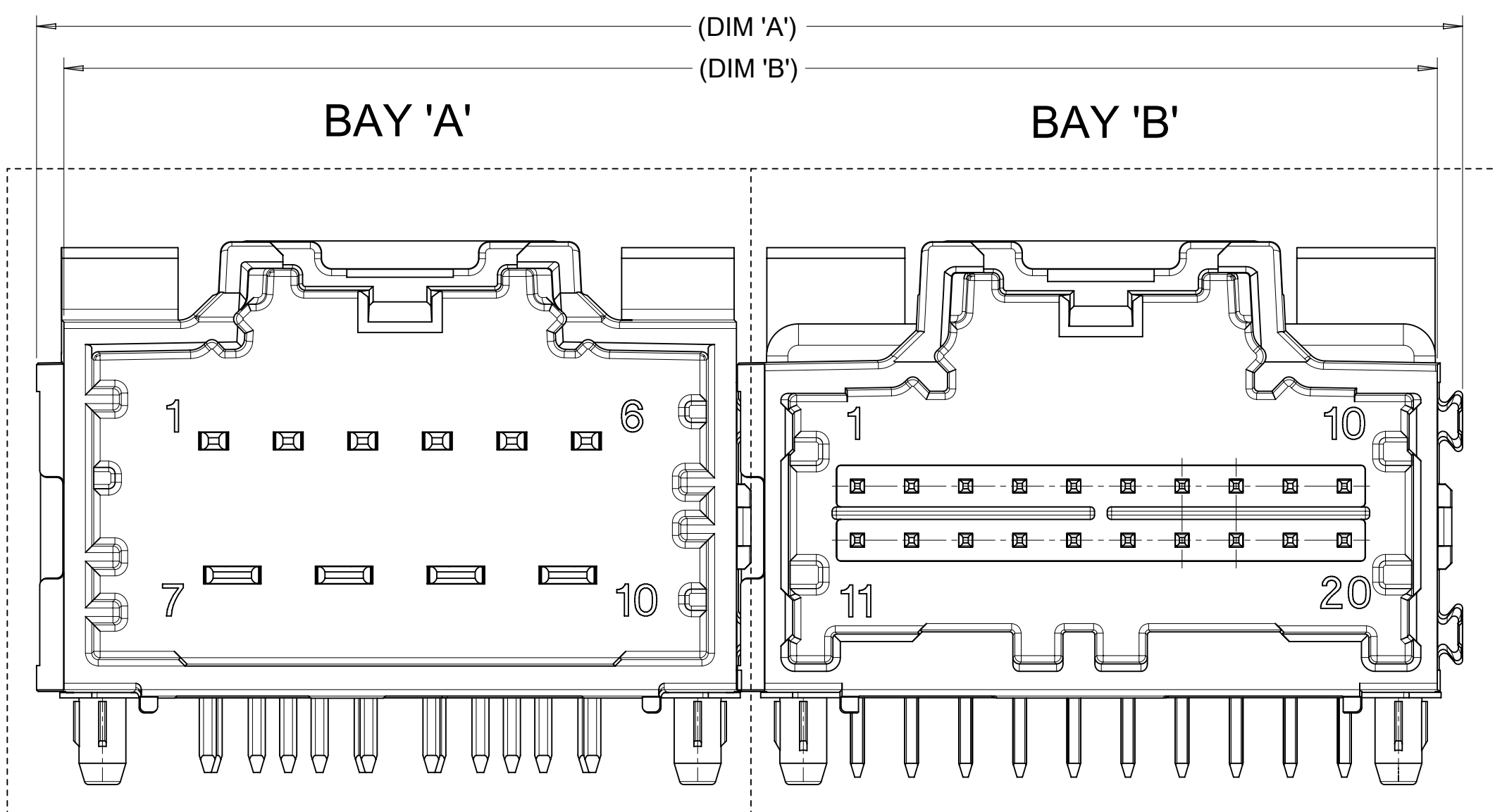
2 BAY PART NUMBER (ALT TRAY)	2 BAY PART NUMBER (TUBE PKG)	2 BAY PART NUMBER (TRAY PKG)	BAY A			BAY B			DIM 'A'	DIM 'B'	DIM 'C'	DIM 'D'
			CKT	TYPE	POL	CKT	TYPE	POL				
TBD	34708-7000	34708-2000	20	0.64mm	A	20	0.64mm	B	66.94	64.47	27.94	27.94
TBD	TBD	34708-2001	20	0.64mm	B	20	0.64mm	C	66.94	64.47	27.94	27.94
TBD	TBD	34708-2002	20	0.64mm	C	20	0.64mm	D	66.94	64.47	27.94	27.94
TBD	34708-7003	34708-2003	20	0.64mm	C	8	0.64mm	A	51.70	49.23	27.94	12.70
TBD	34708-7004	34708-2004	20	0.64mm	C	12	0.64mm	A	56.78	54.31	27.94	17.78
TBD	TBD	34708-2005	14	HYBRID	C	20	0.64mm	C	66.94	64.47	27.94	27.94
TBD	TBD	34708-2006	16	0.64mm	B	20	0.64mm	B	61.86	59.39	22.86	27.94
TBD	TBD	34708-2007	16	0.64mm	C	20	0.64mm	C	61.86	59.39	22.86	27.94
TBD	TBD	34708-2008	20	0.64mm	A	20	0.64mm	C	66.94	64.47	27.94	27.94
TBD	TBD	34708-2009	8	0.64mm	A	8	0.64mm	B	36.46	33.99	12.70	12.70
TBD	TBD	34708-2010	12	0.64mm	A	10	HYBRID	B	56.78	54.31	17.78	27.94
TBD	TBD	34708-2011	20	0.64mm	C	20	0.64mm	B	66.94	64.47	27.94	27.94
TBD	TBD	34708-2012	10	HYBRID	A	20	0.64mm	C	66.94	64.47	27.94	27.94
TBD	TBD	34708-2013	12	0.64mm	A	20	0.64mm	B	56.78	54.31	17.78	27.94
TBD	TBD	34708-2014	14	HYBRID	C	20	0.64mm	B	66.94	64.47	27.94	27.94
TBD	TBD	34708-2015	20	0.64mm	B	14	HYBRID	C	66.94	64.47	27.94	27.94
TBD	TBD	34708-2016	12	0.64mm	B	20	0.64mm	D	56.78	54.31	17.78	27.94
TBD	TBD	34708-2017	16	0.64mm	A	8	0.64mm	C	46.62	44.15	22.86	12.70
TBD	TBD	34708-2018	12	0.64mm	A	16	0.64mm	A	51.70	49.23	22.86	17.78
TBD	TBD	34708-2019	20	0.64mm	A	12	0.64mm	A	56.78	54.31	27.94	17.78
TBD	34708-7012	34708-2020	10	HYBRID	A	16	0.64mm	A	61.86	59.39	27.94	22.86
TBD	TBD	34708-2021	16	0.64mm	B	16	0.64mm	A	56.78	54.31	22.86	22.86
TBD	TBD	34708-2022	20	0.64mm	C	10	HYBRID	A	66.94	64.47	27.94	27.94
TBD	TBD	34708-2023	20	0.64mm	A	20	0.64mm	C	66.94	64.47	27.94	27.94
TBD	TBD	34708-2024	8	0.64mm	A	10	HYBRID	A	51.70	49.23	12.70	27.94
TBD	TBD	34708-2025	8	0.64mm	B	10	HYBRID	A	51.70	49.23	12.70	27.94
TBD	TBD	34708-2026	16	0.64mm	A	20	0.64mm	A	61.86	59.39	22.86	27.94
TBD	TBD	34708-2027	8	0.64mm	B	8	0.64mm	B	36.46	33.99	12.70	12.70
TBD	TBD	34708-2028	16	0.64mm	A	8	0.64mm	A	46.62	44.15	22.86	12.70
TBD	TBD	34708-2029	12	0.64mm	A	12	0.64mm	B	46.62	44.15	17.78	17.78
TBD	34708-7030	34708-2030	10	HYBRID	B	10	HYBRID	A	66.94	64.47	27.94	27.94
TBD	TBD	34708-2031	12	0.64mm	B	12	0.64mm	A	46.62	44.15	17.78	17.78
TBD	TBD	34708-2032	20	0.64mm	D	16	0.64mm	B	61.68	59.39	27.94	22.86
TBD	TBD	34708-2033	20	0.64mm	D	16	0.64mm	C	61.86	59.39	27.94	22.86
TBD	TBD	34708-2034	16	0.64mm	B	20	0.64mm	D	61.68	59.39	22.86	27.94
TBD	TBD	34708-2035	16	0.64mm	C	20	0.64mm	D	61.86	59.39	22.86	27.94
TBD	TBD	34708-2036	8	0.64mm	C	16	0.64mm	C	46.62	44.15	12.70	22.86
34708-7537	TBD	34708-2037	16	0.64mm	A	10	HYBRID	B	61.86	59.39	22.86	27.94
34708-7538	TBD	34708-2038	10	HYBRID	A	16	0.64mm	C	61.86	59.39	27.94	22.86
TBD	TBD	34708-2039	14	HYBRID	A	20	0.64mm	D	66.94	64.47	27.94	27.94
TBD	TBD	34708-2040	20	0.64mm	A	8	0.64mm	A	51.70	49.23	27.94	12.70
TBD	TBD	34708-2041	12	0.64mm	B	16	0.64mm	A	51.70	49.23	17.78	22.86
TBD	TBD	34708-2042	16	0.64mm	A	16	0.64mm	A	56.78	54.31	22.86	22.86
TBD	TBD	34708-2043	20	0.64mm	B	20	0.64mm	A	66.94	64.47	27.94	27.94
TBD	TBD	34708-2044	10	HYBRID	A	10	HYBRID	B	66.94	64.47	27.94	27.94
TBD	TBD	34708-2045	20	0.64mm	A	14	HYBRID	B	66.94	64.47	27.94	27.94
TBD	TBD	34708-2046	20	0.64mm	C	14	HYBRID	A	66.94	64.47	27.94	27.94

QUALITY SYMBOLS	THIS DRAWING CONTAINS INFORMATION THAT IS PROPRIETARY TO MOLEX ELECTRONIC TECHNOLOGIES, LLC AND SHOULD NOT BE USED WITHOUT WRITTEN PERMISSION												
▽ = 0	EC NO: 617230 DRWN: SHANDITHAVAL CHKD: REAUMAN REV APPR: REAUMAN ADDED NEW P/N 34708-2047 2019/05/14 2019/05/14 2019/05/14	GENERAL TOLERANCES (UNLESS SPECIFIED)		DIMENSION UNITS	SCALE	 2-BAY STAC64 RIGHT ANGLE HEADER ASSEMBLY SALES DRAWING PRODUCT CUSTOMER DRAWING							
▽ = 0		ANGULAR TOL ± 1.0 °		mm	4:1								
▽ = 0		4 PLACES ±		DRWN BY	DATE								
▽ = 0		3 PLACES ±		MBAILEY	2008/08/14								
▽ = 0		2 PLACES ± 0.13		CHKD BY	DATE								
▽ = 0		1 PLACE ± 0.25		CDILLON	2009/02/17								
▽ = 0		0 PLACES ±		APPR BY	DATE								
▽ = 0		DRAFT WHERE APPLICABLE MUST REMAIN WITHIN DIMENSIONS		SMARCEAU	2008/08/14								
▽ = 0		DRAWING SIZE	THIRD ANGLE PROJECTION	SERIES							MATERIAL NUMBER	CUSTOMER	
▽ = 0		D		34708	SEE CHART						GENERAL MARKET		
RELEASE STATUS P1			RELEASE DATE	2019/05/14	20:35:59	DOCUMENT NUMBER	DOC TYPE	DOC PART	SHEET NUMBER				
						SD-34708-200	PSD	001	2 OF 6				

DIMENSIONAL CHART FOR MULTIBAY CONFIGURATION:

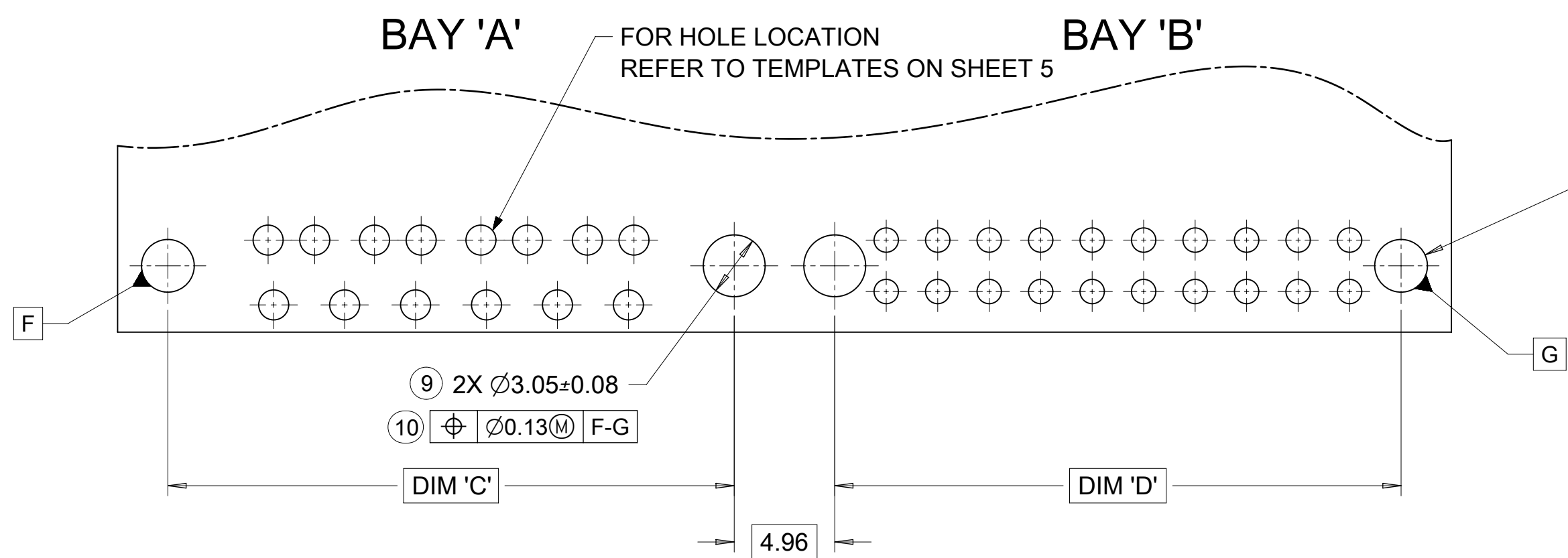
2 BAY PART NUMBER (ALT TRAY)	2 BAY PART NUMBER (TUBE PKG)	2 BAY PART NUMBER (TRAY PKG)	BAY A			BAY B			DIM 'A'	DIM 'B'	DIM 'C'	DIM 'D'
			CKT	TYPE	POL	CKT	TYPE	POL				
TBD	TBD	34708-2050	20	0.64mm	A	16	0.64mm	A	61.86	59.39	27.94	22.86
TBD	TBD	34708-2060	10	HYBRID	B	16	0.64mm	A	61.86	59.39	27.94	22.86
TBD	TBD	34708-2070	16	0.64mm	A	12	0.64mm	A	51.70	49.23	22.86	17.78
TBD	TBD	34708-2080	16	0.64mm	A	16	0.64mm	B	56.78	54.31	22.86	22.86
TBD	TBD	34708-2090	16	0.64mm	B	16	0.64mm	C	56.78	54.31	22.86	22.86
TBD	TBD	34708-2047	8	0.64mm	A	20	0.64mm	A	51.70	49.23	12.70	27.94

<p>QUALITY SYMBOLS</p> <ul style="list-style-type: none"> = 0 = 0 = 0 = 0 = 0 = 0 = 0 = 0 	THIS DRAWING CONTAINS INFORMATION THAT IS PROPRIETARY TO MOLEX ELECTRONIC TECHNOLOGIES, LLC AND SHOULD NOT BE USED WITHOUT WRITTEN PERMISSION										
	EC NO: 617230 DRWN: SHANDITHAVAL CHKD: REAUMAN REV: APPR: REAUMAN	2019/05/14 2019/05/14 2019/05/14	2019/05/14 2019/05/14 2019/05/14	GENERAL TOLERANCES (UNLESS SPECIFIED)		DIMENSION UNITS	SCALE				
				ANGULAR TOL ± 1.0 °		mm	4:1				
				4 PLACES ±		DRWN BY	DATE				
				3 PLACES ±		MBAILEY	2008/08/14				
				2 PLACES ± 0.13		CHKD BY	DATE				
				1 PLACE ± 0.25		CDILLON	2009/02/17				
				0 PLACES ±		APPR BY	DATE				
				DRAFT WHERE APPLICABLE MUST REMAIN WITHIN DIMENSIONS		SMARCEAU	2008/08/14				
				DRAWING SIZE		THIRD ANGLE PROJECTION		PRODUCT CUSTOMER DRAWING			
	D D					SERIES	MATERIAL NUMBER	CUSTOMER			
					34708	SEE CHART	GENERAL MARKET				
DOCUMENT NUMBER SD-34708-200					DOC TYPE	DOC PART	SHEET NUMBER				
					PSD	001	3 OF 6				



FOR DIM G:	
8-20CKT 0.64mm	18.40 MAX
10/14CKT Hybrid	18.59 MAX

RECOMMENDED PCB LAYOUT
INSERT NECESSARY BAYS USING CHART ON SHEET 2 AND 3

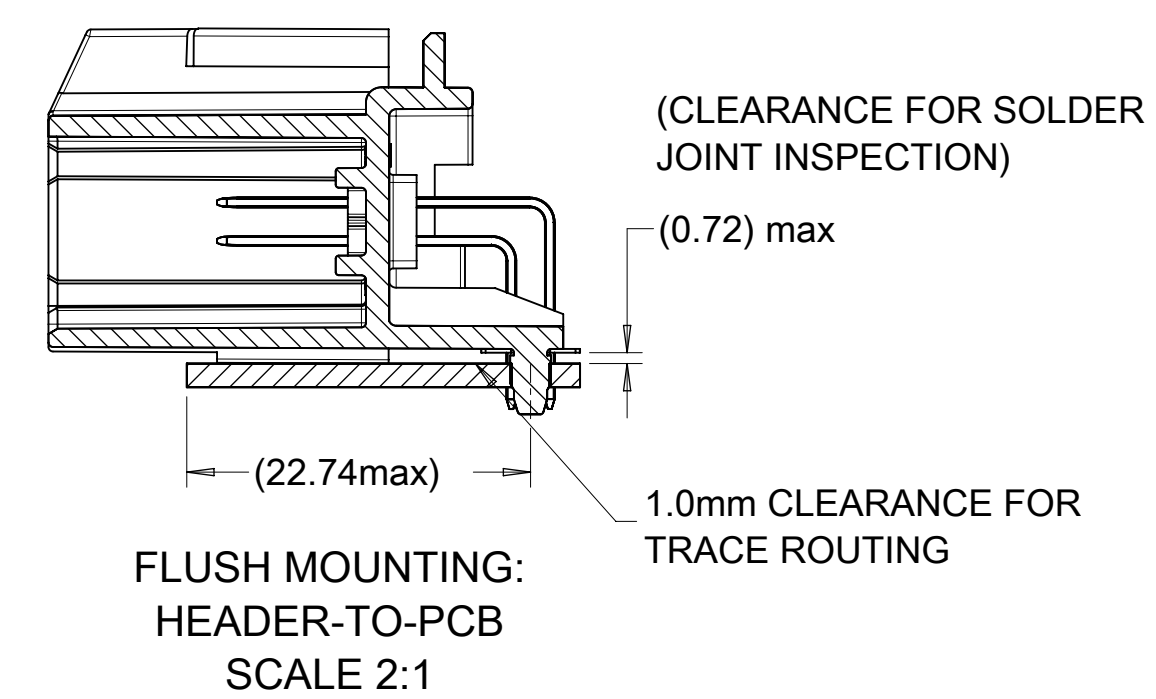


POST HOLE TABLE:

FOR DIM Z:	
PRESS FIT:	2.60
DROP IN:	3.05

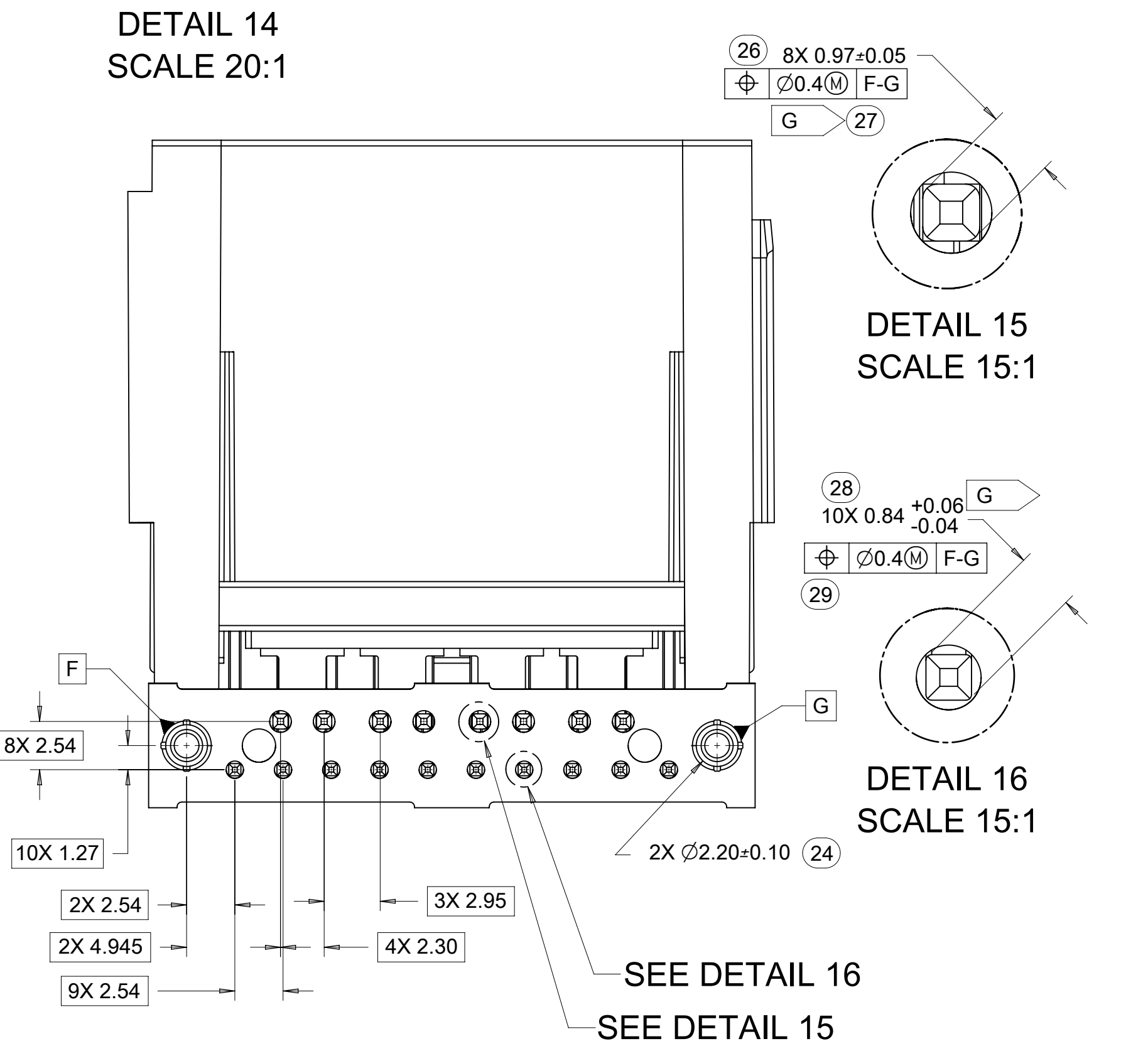
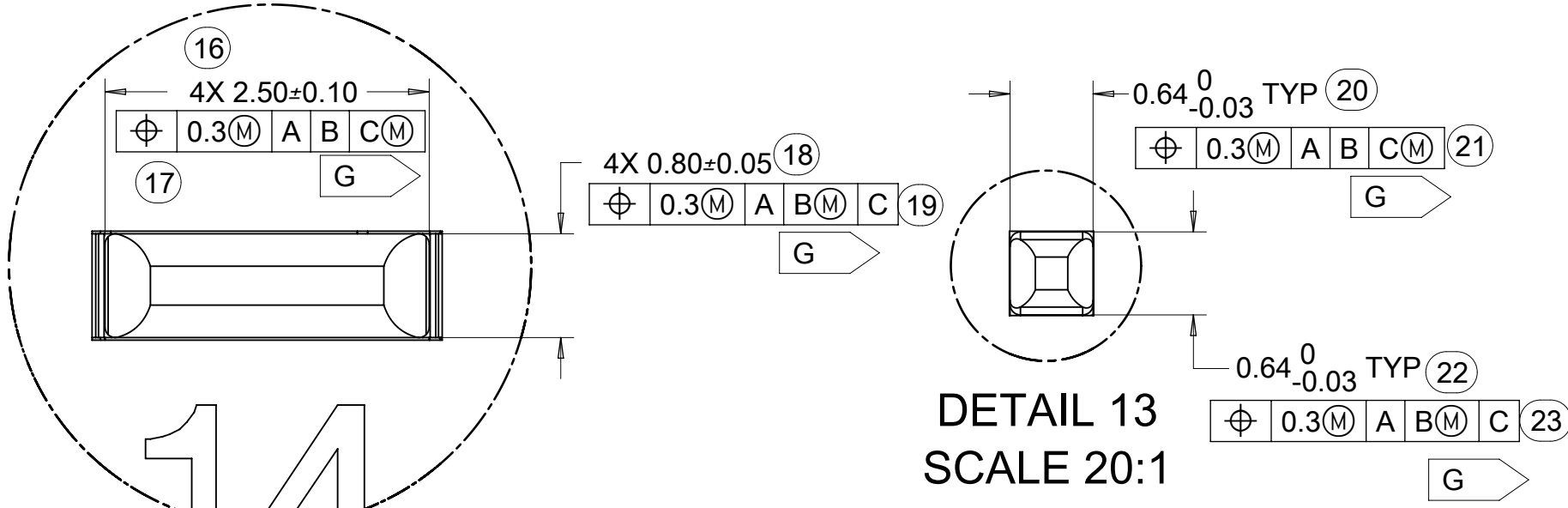
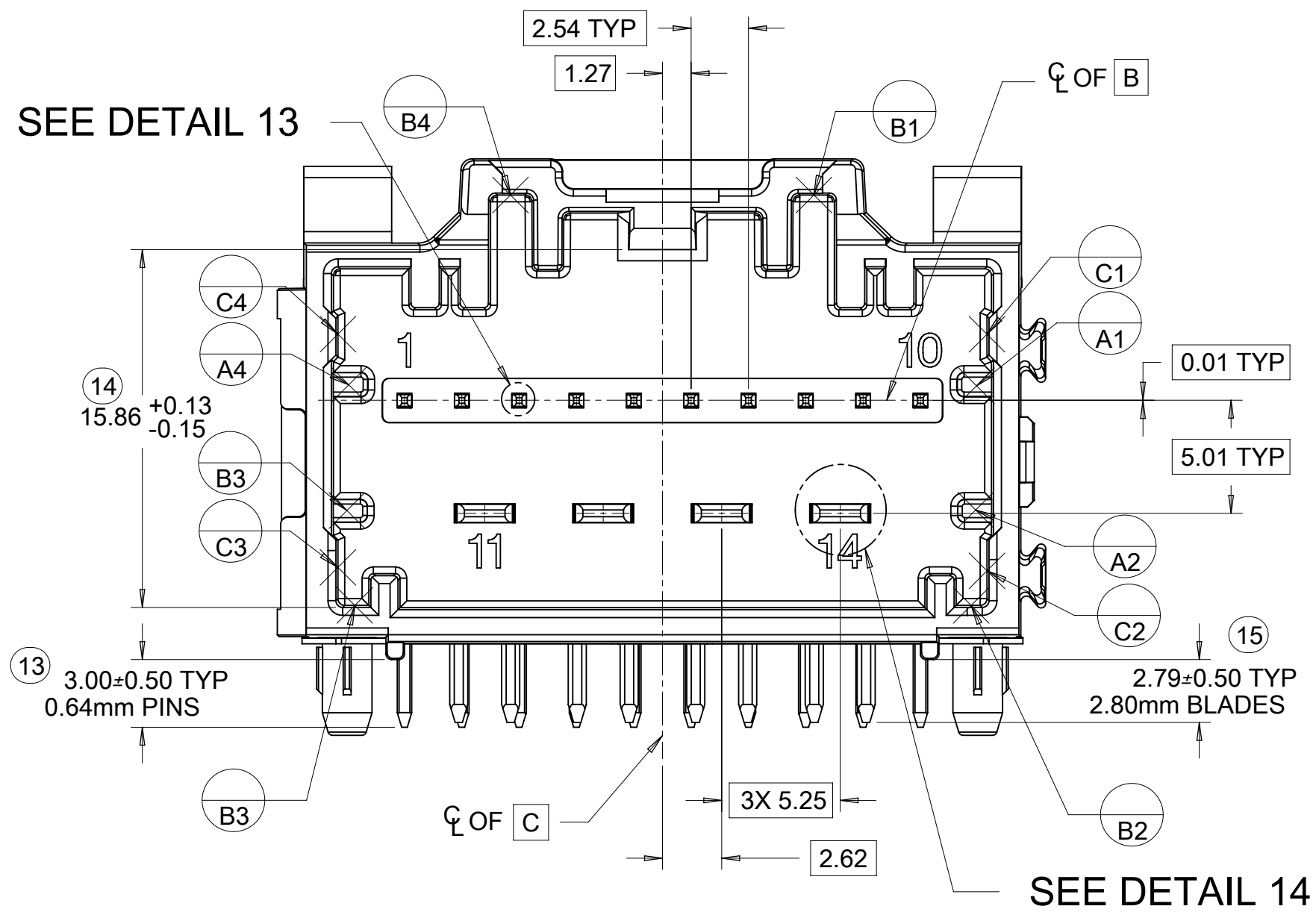
2X ØZ±0.08 (11)
Ø0.13 (F) (12)

ALL CIRCUIT OPTIONS

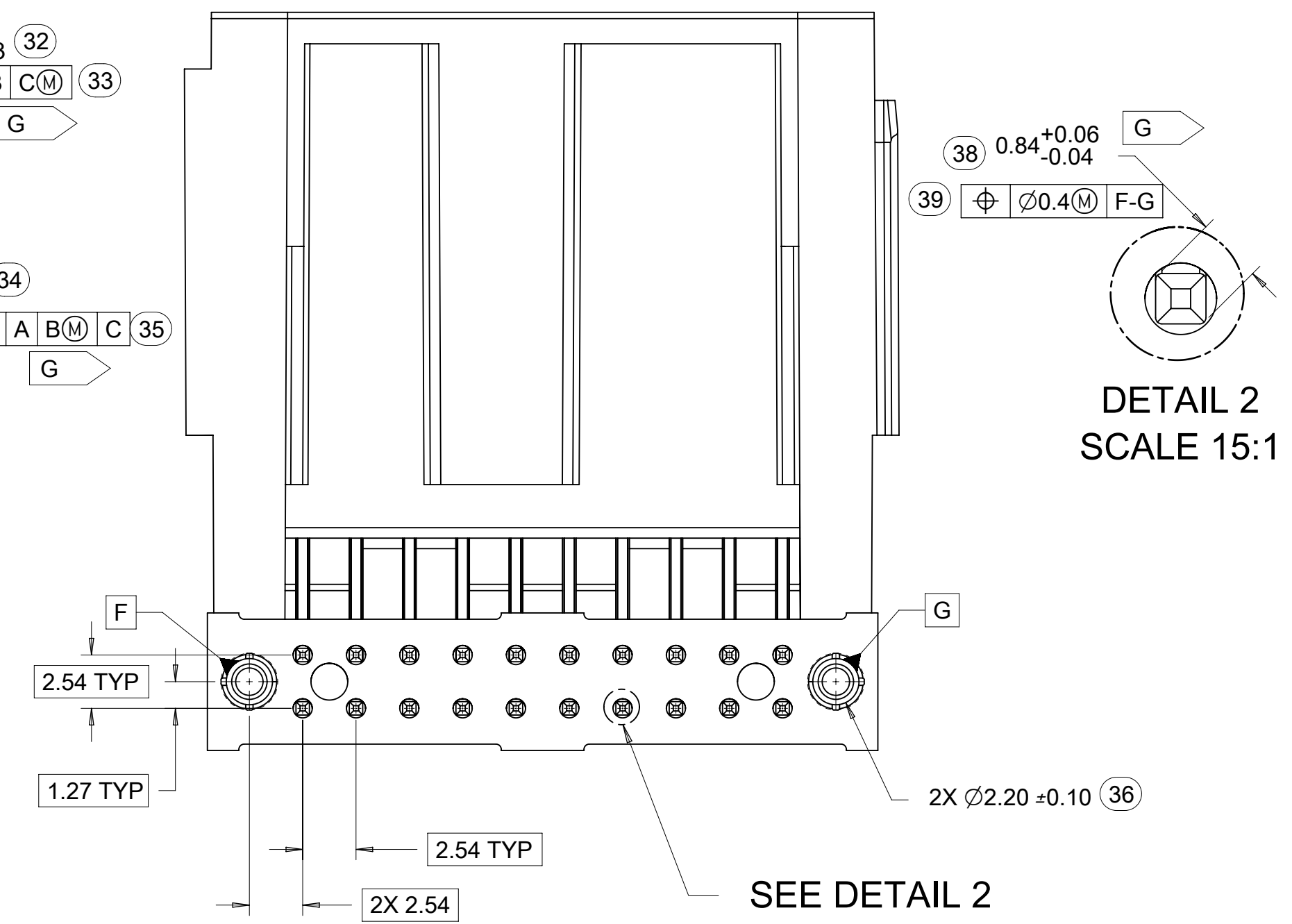
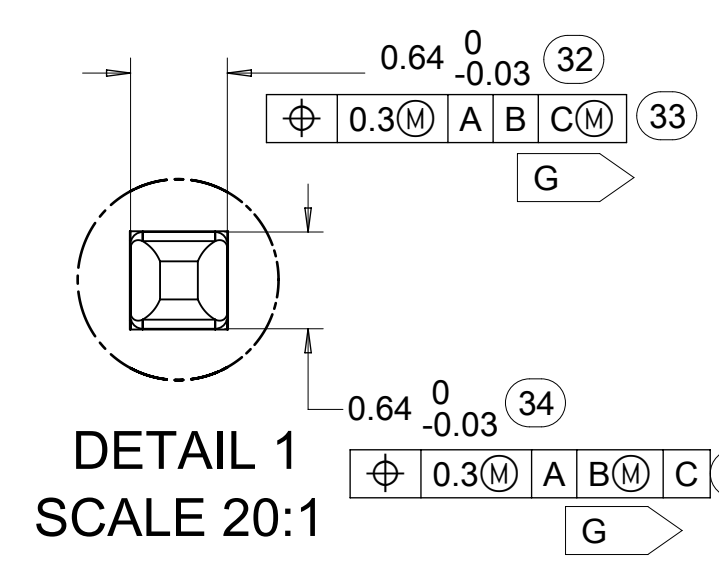
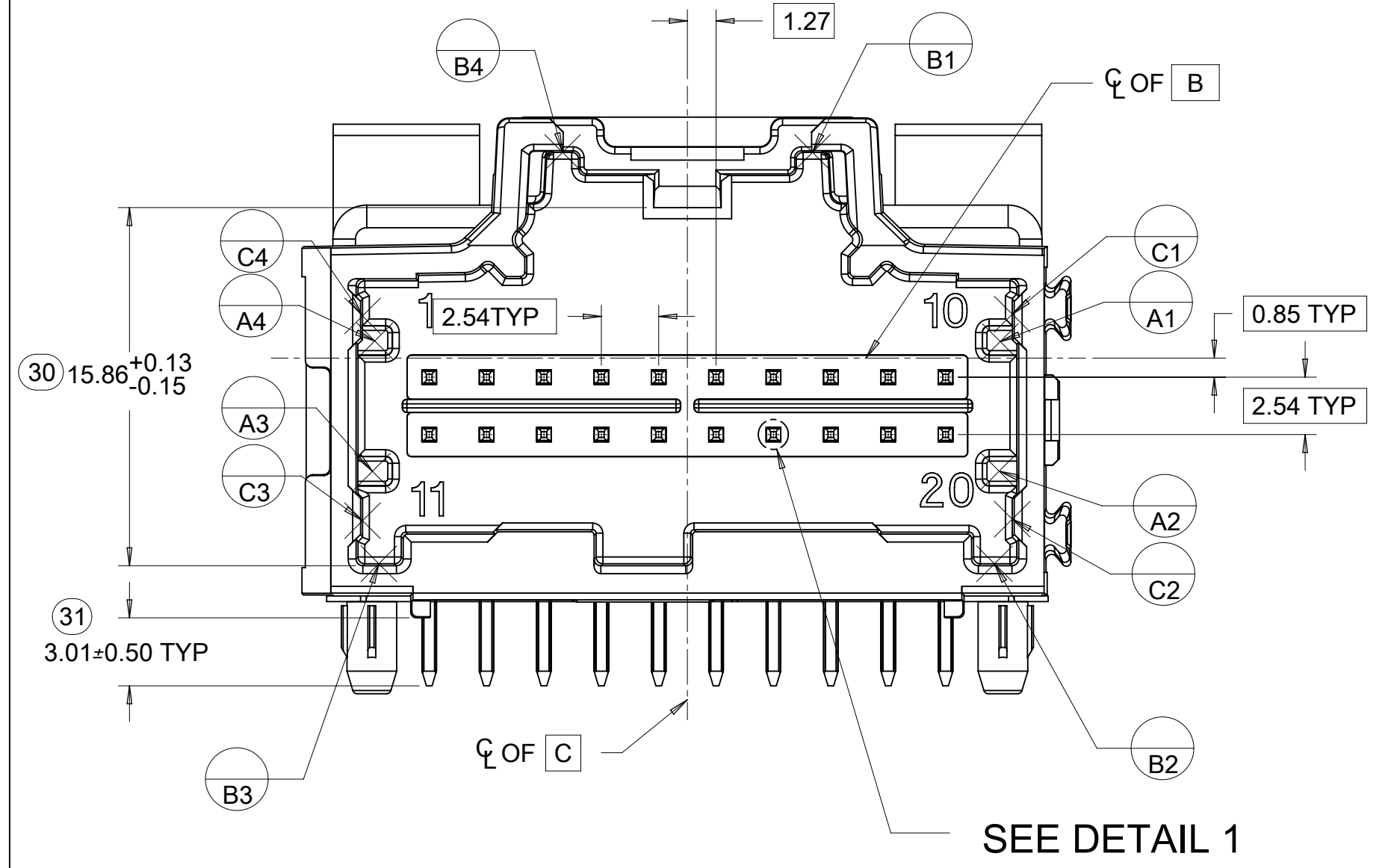


QUALITY SYMBOLS □ = 0 ▽ = 0 ▽ = 0 ▽ = 0 ▽ = 0 ▽ = 0 ▽ = 0 ▽ = 0 ▽ = 0 ▽ = 0 ▽ = 0	THIS DRAWING CONTAINS INFORMATION THAT IS PROPRIETARY TO MOLEX ELECTRONIC TECHNOLOGIES, LLC AND SHOULD NOT BE USED WITHOUT WRITTEN PERMISSION				GENERAL TOLERANCES (UNLESS SPECIFIED) DIMENSION UNITS: mm SCALE: 4:1				
	EC NO: 617230 DRWN: SHANDITHAVAL CHKD: RBAUMAN REV APPR: RBAUMAN		2019/05/14 2019/05/14 2019/05/14		DRWN BY: MBAILEY DATE: 2008/08/14				
	ADDED NEW P/N 34708-2047		ANGULAR TOL ± 1.0 °		CHKD BY: CDILLON DATE: 2009/02/17		PRODUCT CUSTOMER DRAWING		
	4 PLACES ±		3 PLACES ±		APPR BY: SMARCEAU DATE: 2008/08/14				
	3 PLACES ±		2 PLACES ± 0.13		DRAFT WHERE APPLICABLE MUST REMAIN WITHIN DIMENSIONS		DOCUMENT NUMBER: SD-34708-200 DOC TYPE: PSD DOC PART: 001 SHEET NUMBER: 4 OF 6		
	2 PLACES ±		1 PLACE ± 0.25		DRAWING SIZE: D THIRD ANGLE PROJECTION				
	1 PLACE ±		0 PLACES ±		DIMENSIONS: 18, 17, 16, 15, 14, 13, 12, 11, 10, 9, 8, 7, 6, 5, 4, 3, 2, 1		Y2		
	0 PLACES ±		DIMENSIONS: 18, 17, 16, 15, 14, 13, 12, 11, 10, 9, 8, 7, 6, 5, 4, 3, 2, 1		DIMENSIONS: 18, 17, 16, 15, 14, 13, 12, 11, 10, 9, 8, 7, 6, 5, 4, 3, 2, 1				
	DIMENSIONS: 18, 17, 16, 15, 14, 13, 12, 11, 10, 9, 8, 7, 6, 5, 4, 3, 2, 1		DIMENSIONS: 18, 17, 16, 15, 14, 13, 12, 11, 10, 9, 8, 7, 6, 5, 4, 3, 2, 1		DIMENSIONS: 18, 17, 16, 15, 14, 13, 12, 11, 10, 9, 8, 7, 6, 5, 4, 3, 2, 1		DIMENSIONS: 18, 17, 16, 15, 14, 13, 12, 11, 10, 9, 8, 7, 6, 5, 4, 3, 2, 1		
	DIMENSIONS: 18, 17, 16, 15, 14, 13, 12, 11, 10, 9, 8, 7, 6, 5, 4, 3, 2, 1		DIMENSIONS: 18, 17, 16, 15, 14, 13, 12, 11, 10, 9, 8, 7, 6, 5, 4, 3, 2, 1		DIMENSIONS: 18, 17, 16, 15, 14, 13, 12, 11, 10, 9, 8, 7, 6, 5, 4, 3, 2, 1				
DIMENSIONS: 18, 17, 16, 15, 14, 13, 12, 11, 10, 9, 8, 7, 6, 5, 4, 3, 2, 1		DIMENSIONS: 18, 17, 16, 15, 14, 13, 12, 11, 10, 9, 8, 7, 6, 5, 4, 3, 2, 1		DIMENSIONS: 18, 17, 16, 15, 14, 13, 12, 11, 10, 9, 8, 7, 6, 5, 4, 3, 2, 1		DIMENSIONS: 18, 17, 16, 15, 14, 13, 12, 11, 10, 9, 8, 7, 6, 5, 4, 3, 2, 1			
DIMENSIONS: 18, 17, 16, 15, 14, 13, 12, 11, 10, 9, 8, 7, 6, 5, 4, 3, 2, 1		DIMENSIONS: 18, 17, 16, 15, 14, 13, 12, 11, 10, 9, 8, 7, 6, 5, 4, 3, 2, 1		DIMENSIONS: 18, 17, 16, 15, 14, 13, 12, 11, 10, 9, 8, 7, 6, 5, 4, 3, 2, 1					DIMENSIONS: 18, 17, 16, 15, 14, 13, 12, 11, 10, 9, 8, 7, 6, 5, 4, 3, 2, 1

14 CKT HYBRID HEADER DETAILS

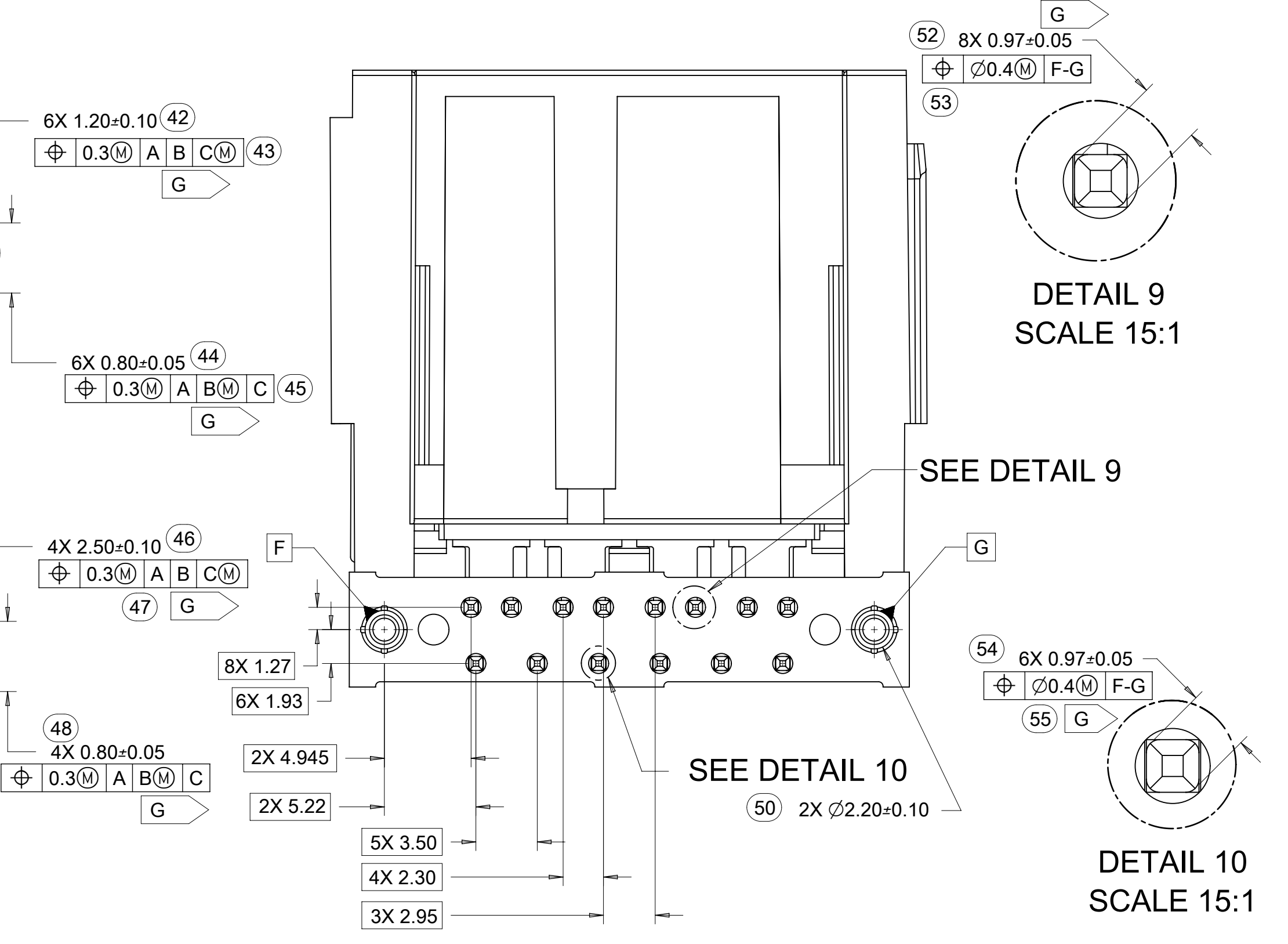
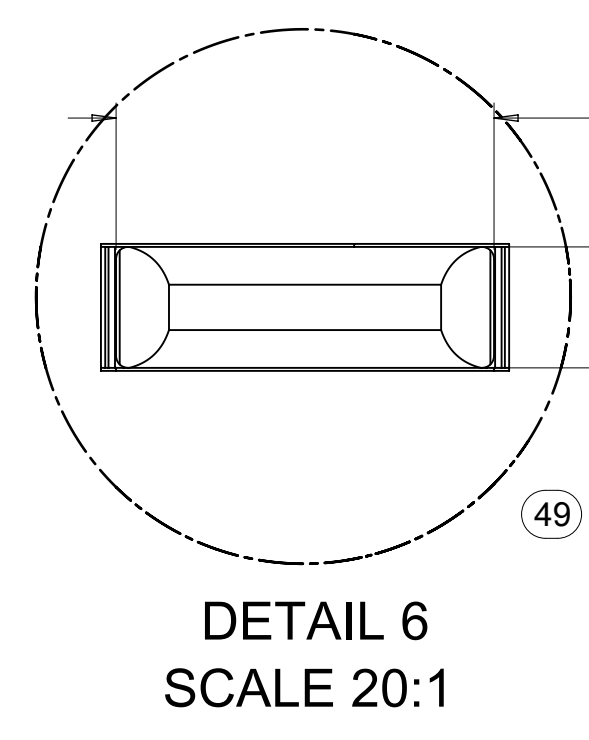
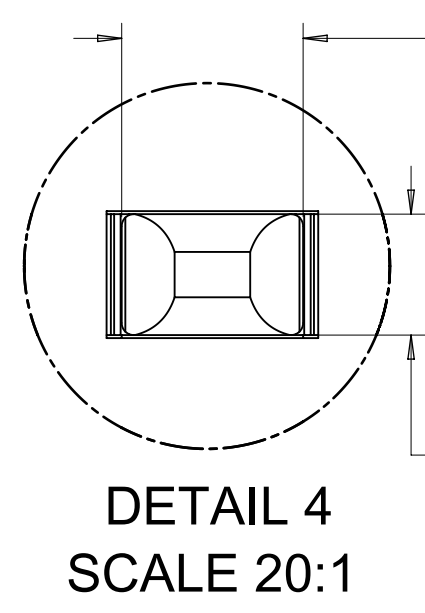
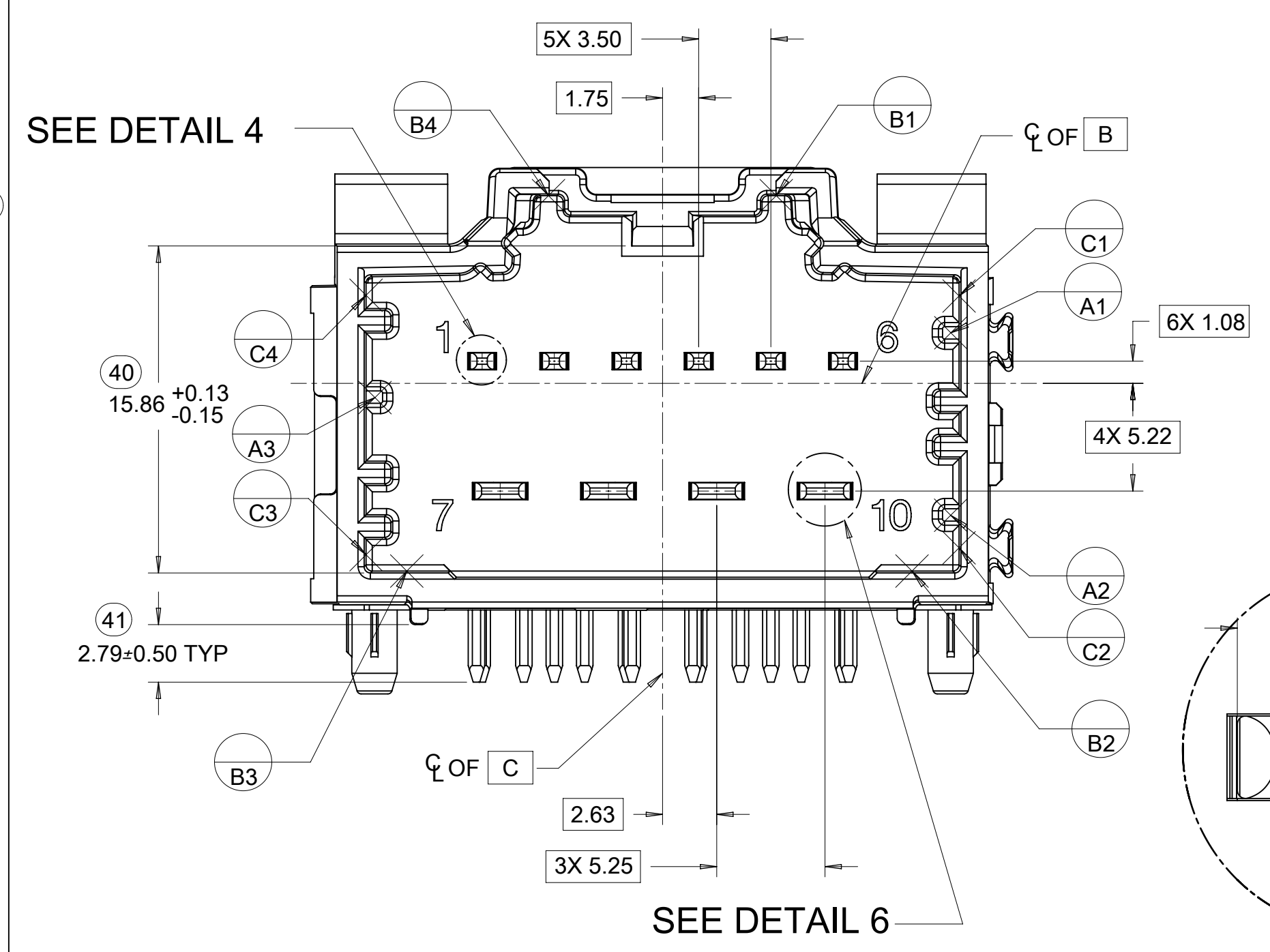


8-20 CKT 0.64mm HEADER DETAILS



DETAIL 2
SCALE 15:1

10CKT STAC HYBRID HEADER DETAILS

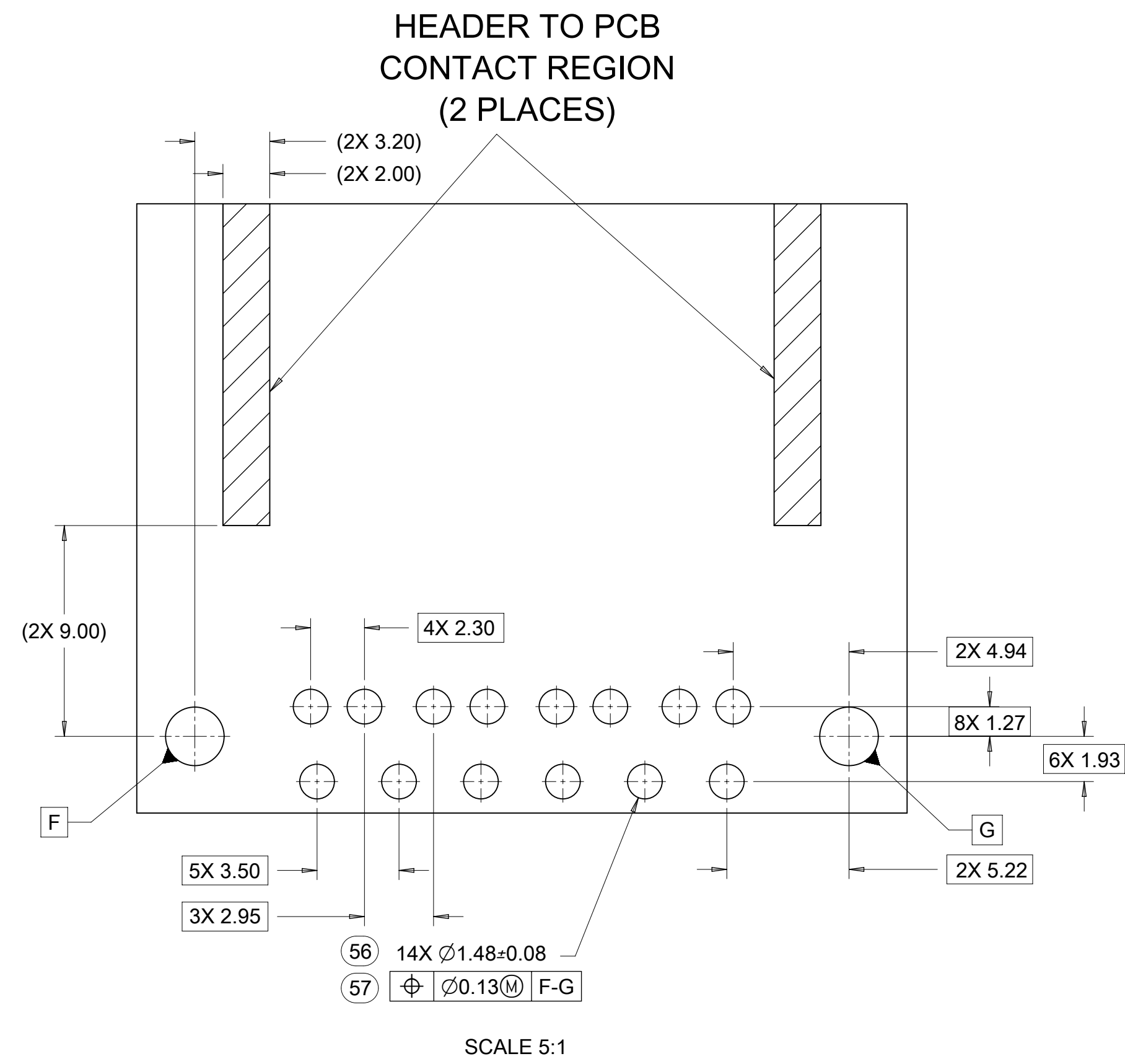


DETAIL 9
SCALE 15:1

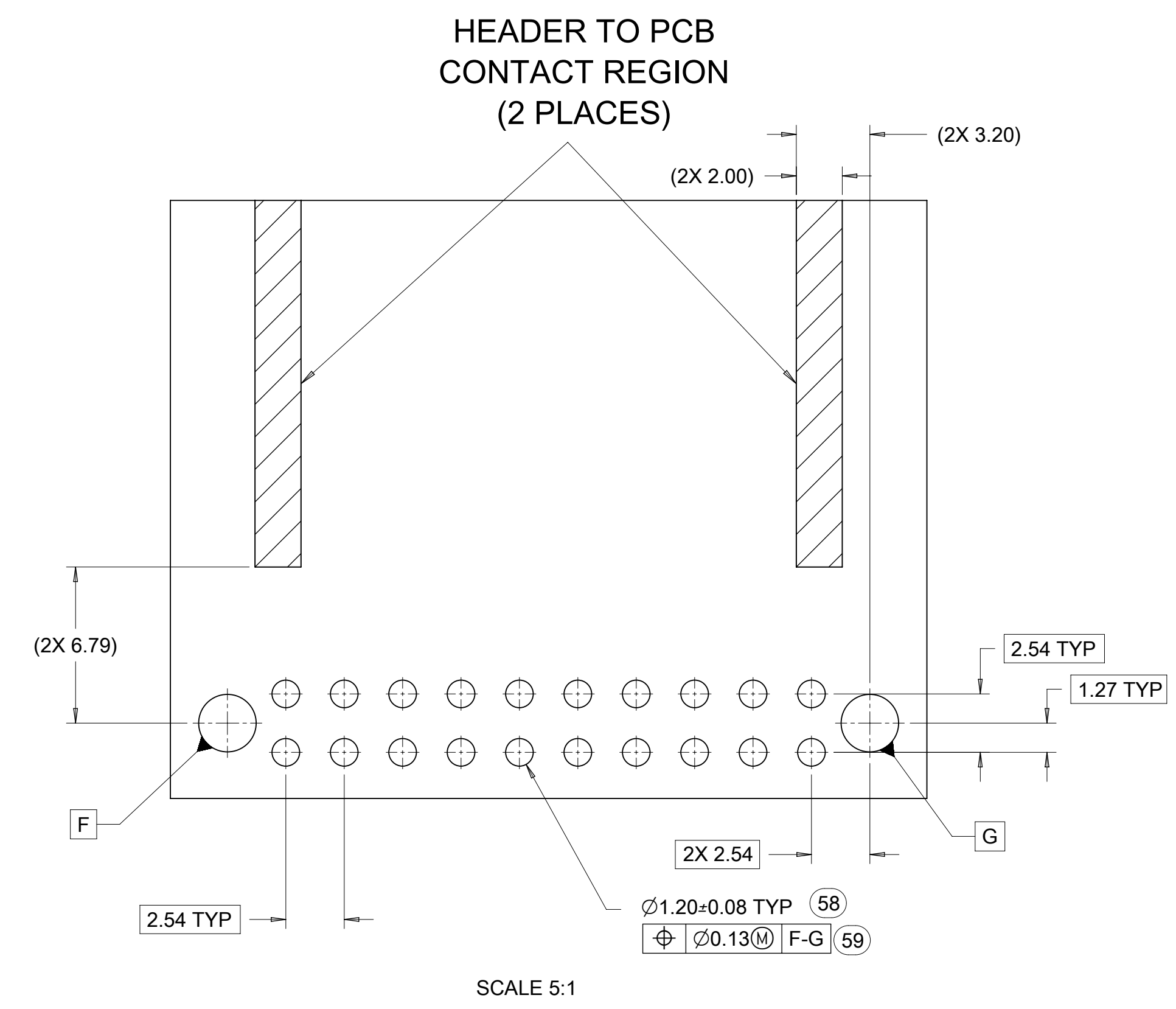
DETAIL 10
SCALE 15:1

<p>QUALITY SYMBOLS</p> <p>▽ = 0</p> <p>▽ = 0</p> <p>▽ = 0</p> <p>▽ = 0</p> <p>▽ = 0</p> <p>▽ = 0</p> <p>▽ = 0</p> <p>▽ = 0</p> <p>▽ = 0</p> <p>▽ = 0</p>	THIS DRAWING CONTAINS INFORMATION THAT IS PROPRIETARY TO MOLEX ELECTRONIC TECHNOLOGIES, LLC AND SHOULD NOT BE USED WITHOUT WRITTEN PERMISSION			
	GENERAL TOLERANCES (UNLESS SPECIFIED)		DIMENSION UNITS	SCALE
	ANGULAR TOL ± 1.0 °		mm	4:1
	4 PLACES ±	DRWN BY	DATE	
	3 PLACES ±	MBAILEY	2008/08/14	
	2 PLACES ± 0.13	CHKD BY	DATE	
	1 PLACE ± 0.25	CDILLON	2009/02/17	
	0 PLACES ±	APPR BY	DATE	
	SMARCEAU	2008/08/14		
	DRAFT WHERE APPLICABLE MUST REMAIN WITHIN DIMENSIONS	DRAWING SIZE	THIRD ANGLE PROJECTION	
D				
<p>ADDED NEW P/N 34708-2047</p> <p>EC NO: 617230</p> <p>DRWN: SHANDITHAVAI</p> <p>CHKD: RBAUMAN</p> <p>REV APPR: RBAUMAN</p>		<p>2019/05/14</p> <p>2019/05/14</p> <p>2019/05/14</p>		
<p>PRODUCT CUSTOMER DRAWING</p> <p>SERIES: 34708</p> <p>MATERIAL NUMBER: SEE CHART</p> <p>CUSTOMER: GENERAL MARKET</p>		<p>2-BAY STAC64 RIGHT ANGLE HEADER ASSEMBLY SALES DRAWING</p>		
<p>RELEASE STATUS: P1</p> <p>RELEASE DATE: 2019/05/14</p> <p>20:35:59</p>		<p>DOCUMENT NUMBER: SD-34708-200</p> <p>DOC TYPE: PSD</p> <p>DOC PART: 001</p> <p>SHEET NUMBER: 5 OF 6</p>		

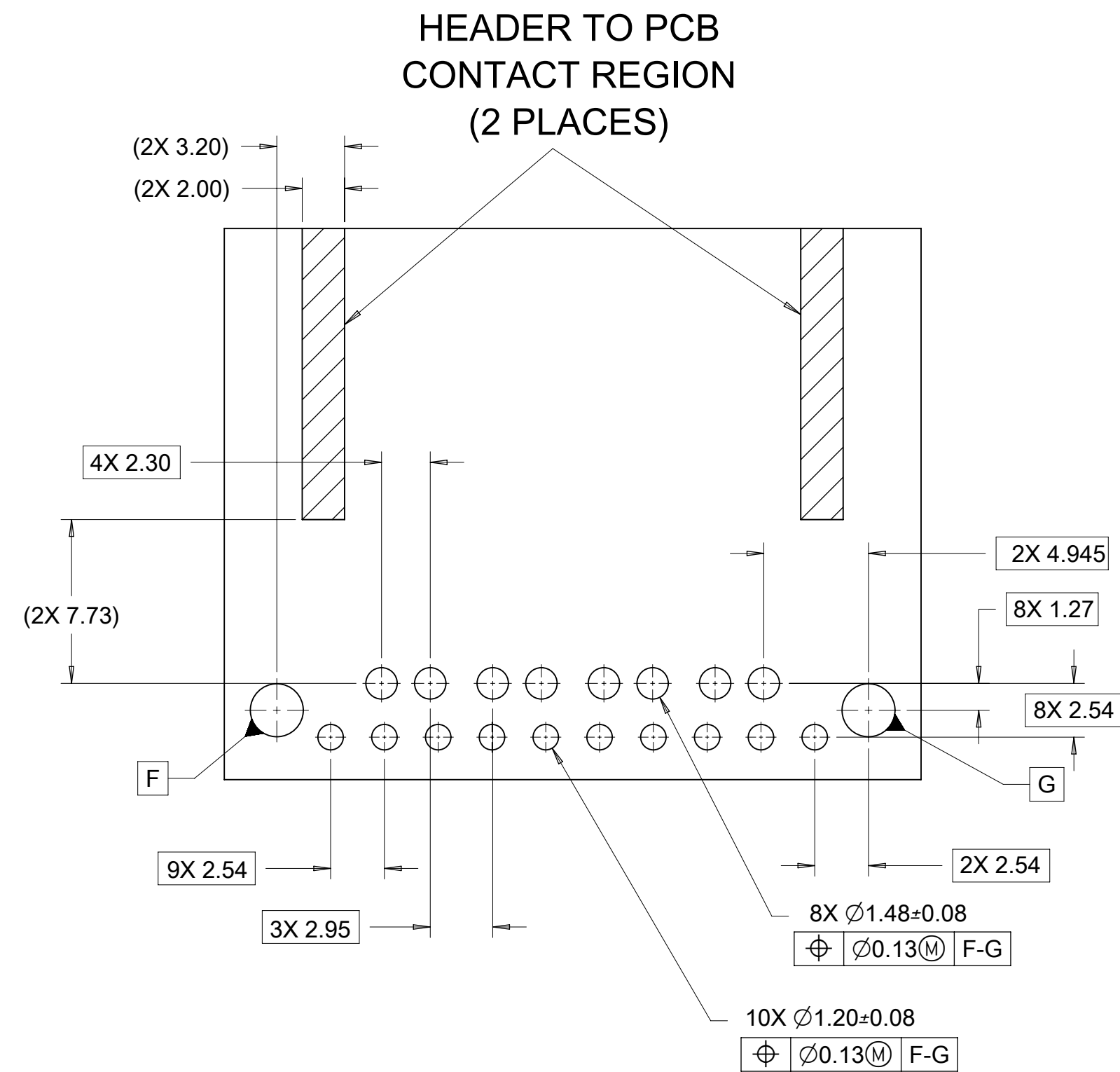
10 CKT HYBRID TEMPLATE
PCB LAYOUT



8-20 CKT STAC64 TEMPLATE
PCB LAYOUT



14 CKT HYBRID TEMPLATE
PCB LAYOUT



QUALITY SYMBOLS ▽ = 0 ▽ = 0 ▽ = 0 ▽ = 0 ▽ = 0 ▽ = 0 ▽ = 0 ▽ = 0 ▽ = 0 ▽ = 0	THIS DRAWING CONTAINS INFORMATION THAT IS PROPRIETARY TO MOLEX ELECTRONIC TECHNOLOGIES, LLC AND SHOULD NOT BE USED WITHOUT WRITTEN PERMISSION											
	EC NO: 617230	DRWN: SHANDITHAVAL	CHKD: RBAUMAN	REV APPR: RBAUMAN	ADDED NEW P/N 34708-2047	2019/05/14	2019/05/14	2019/05/14	GENERAL TOLERANCES (UNLESS SPECIFIED)	DIMENSION UNITS	SCALE	
					ANGULAR TOL ± 1.0 °		4 PLACES ±		mm	4:1	DRWN BY	DATE
					3 PLACES ±		2 PLACES ± 0.13		MBAILEY			2008/08/14
					2 PLACES ± 0.25		1 PLACE ±		CDILLON			2009/02/17
					0 PLACES ±		DRAFT WHERE APPLICABLE MUST REMAIN WITHIN DIMENSIONS		SMARCEAU			2008/08/14
					DRAFT WHERE APPLICABLE MUST REMAIN WITHIN DIMENSIONS		D		THIRD ANGLE PROJECTION			
	SERIES		MATERIAL NUMBER		CUSTOMER							
	34708		SEE CHART		GENERAL MARKET		2-BAY STAC64 RIGHT ANGLE HEADER ASSEMBLY SALES DRAWING					
	DOCUMENT NUMBER		DOC TYPE		DOC PART		SHEET NUMBER					
SD-34708-200		PSD		001		6 OF 6						