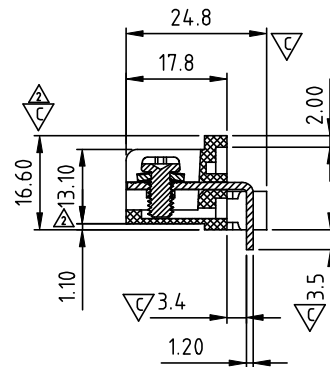
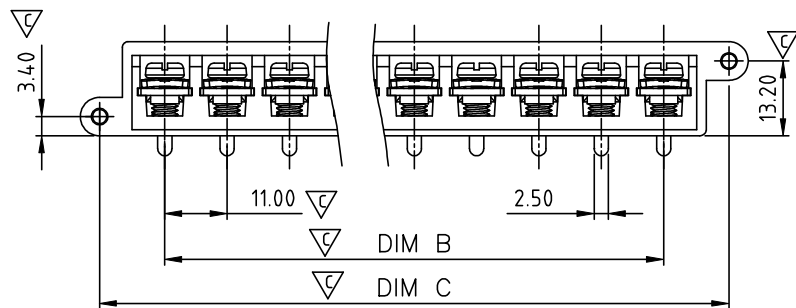
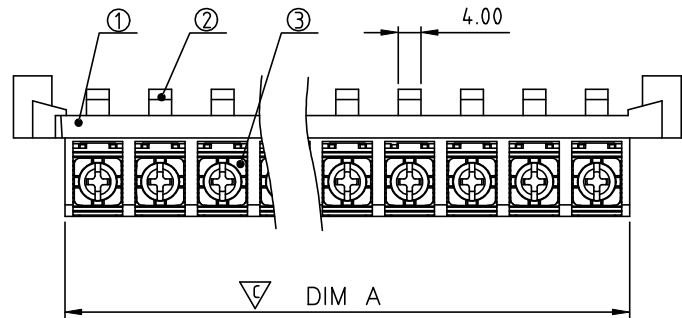


SIGN	DATE	DESCRIPTION	APPROVER
△	2/07'06	Part No. changed	Tony
△	10/23'06	Added demention 16.60 and 13.10	Steady
△	5/20'09	Voltage & Current changed from DC 24V,30A to 300V,20A	Eris
△	5/20'09	Temperature changed from -40°C-105°C to -40°C-115°C	Eris
△	5/20'09	Screw torque value changed from 10Kgf.cm to 11lb-In	Eris
△	5/20'09	Add approval "CULUS"	Eris
△	01/12'10	The Dimension is changed from : N×11.0+0.6 to N×11.0+0.2	Seamus
△	12/05'12	Change the screw plating specification	Jacky

THIS IS CAD DRAWING, DO NOT REVISE MANUALLY!!!



MATERIALS ELECTRICAL

- △ RATED VOLTAGE & CURRENT: 300 V, 20 A
- WITHSTAND VOLTAGE: AC 2000 V/Min
- INSULATION RESISTANCE: 1000 MΩ OR MORE AT DC 500 V
- △ OPERATING TEMPERATURE RANG: -40 °C ~ +115°C
- △ SCREW TORQUE VALUE: 11Lb-In
- WIRE RANGE: 22-12 AWG
- 1) MOLDED PARTS: Thermoplastic (UL 94 V-0)
- 2) TERMINAL: BRASS, 1,2t, Tin PLATED
- △ 3) TERMINAL SCREWS: STEEL, M4

△ APPROVAL: Us

△ PART NO.: Critical dimension:

YK 114 xx 3 x x 00G

- NO. OF POLES
- 02: 2 POLES
- 03: 3 POLES
- 04: 4 POLES
- ⋮
- 30: 30 POLES

G:RoHS compliant(lead<4%)
in copper alloy
MARK
0: "@ " MARK
1: "ANY " MARK

TERMINAL & SCREW PLATED
0: TERMINAL & SCREW: G/F
△ 1: TERMINAL: G/F, SCREW: Zinc
2: TERMINAL: Sn, SCREW: G/F
△ 3: TERMINAL: Sn, SCREW: Zinc

Dimension A&B&C

DIM A	N×11.0+0.2	△
DIM B	(N-1)×11.0	
DIM C	(N+1)X11+1	

N=Number of poles

Poles	A&B Tolerance
2P-8P	±0.20
9P-14P	±0.30
15P-20P	±0.40
21P-24P	±0.50
25P-30P	±0.60

ANYTEK

CUSTOMER COPY

ALL RIGHTS RESERVED. REPRODUCTION OR ISSUE TO THIRD PARTIES IN ANY FORM WHATSOEVER IS NOT PERMITTED WITHOUT WRITTEN AUTHORITY FROM THE PROPRIETOR. PROPERTY OF ANYTEK TECHNOLOGY CO., LTD

TITLE		YK-114 FINISHED PRODUCTS			
PART NO.		YK114-xx3xx00G		DWG NO.	8YK0001-114
APPROVED	CHECKED	DESIGNED	DRAWN	CUST NO.	
		Jacky 2012.12.05	Jacky 2012.12.05		
					Tolerance
					X. ±0.50
				UNIT: mm	X.X ±0.30
				SCALE: NONE	X.XX ±0.10
				SHEET: 01/01	X° ±1°
				REV.: G	