

# PCM 125/125 G



Sample image

**Order symbol:** PCM 125/125 G

**Product nbr:** 6016310

**Description:** Enclosure. PC

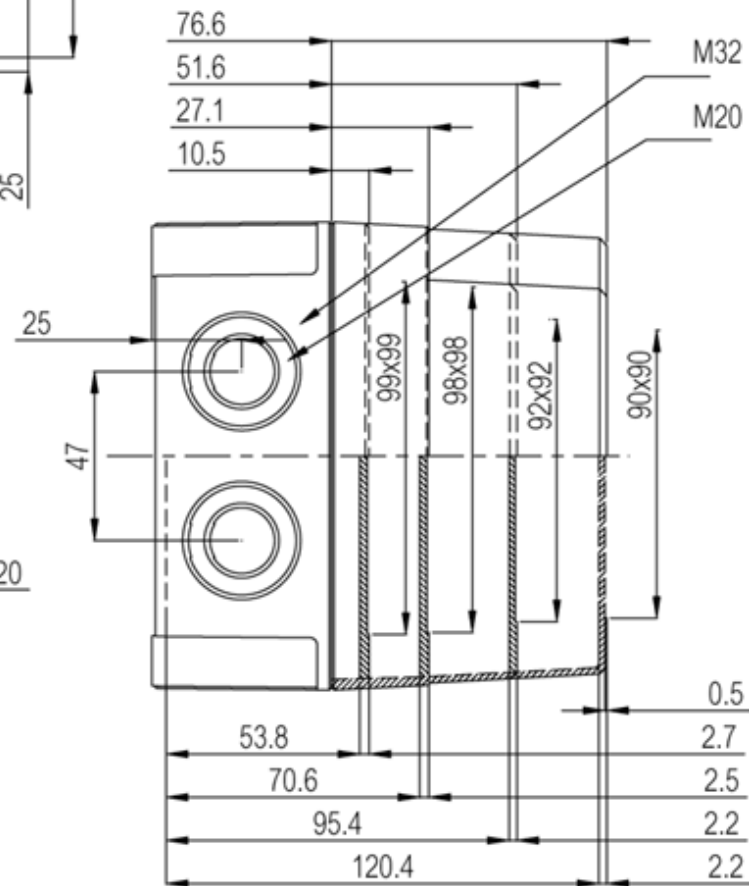
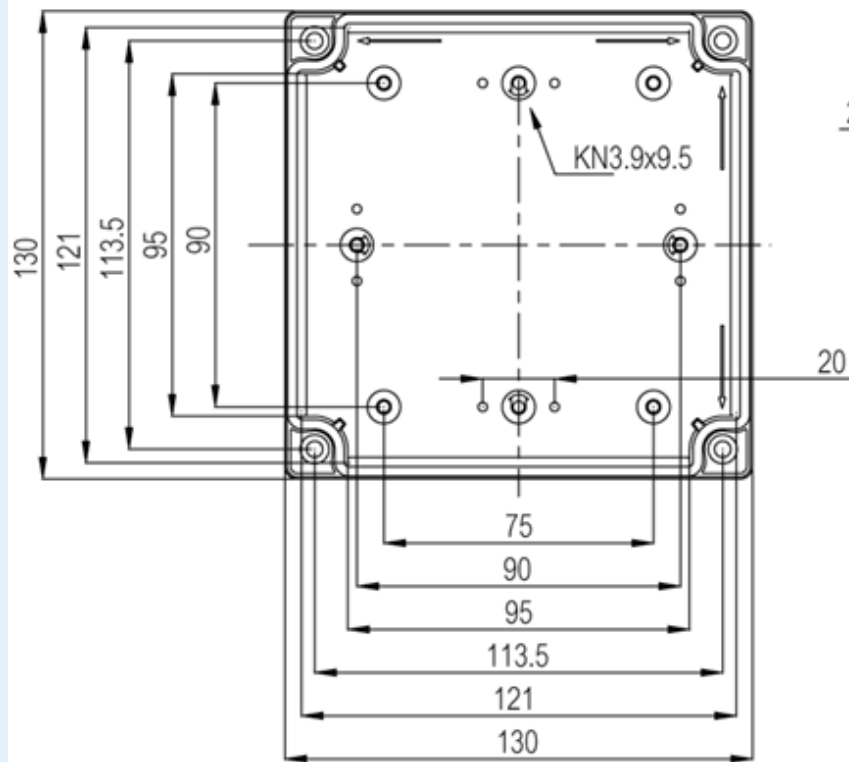
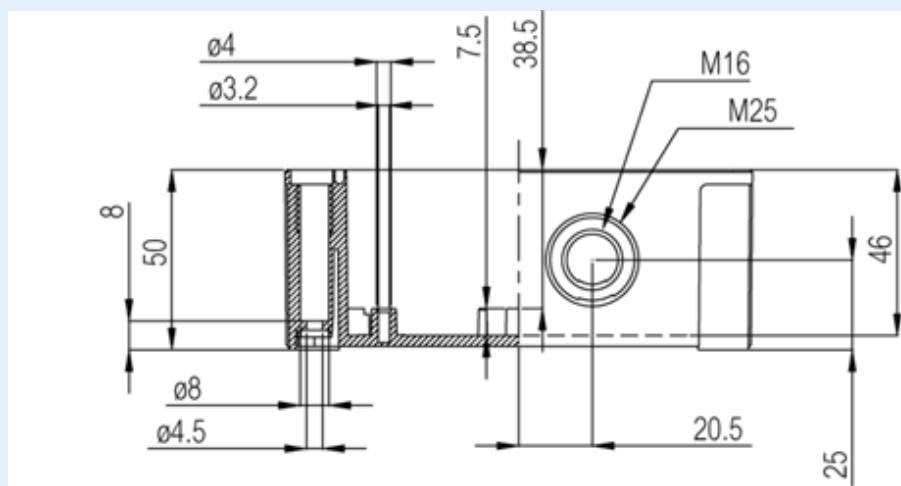
**Remarks:** Opaque cover

**EAN:** 6418074038067

**El. number:**

- Finland: 3421638
- Denmark: 8212027129
- Sweden: 2535321

**Including:** Base with TPE gasket. screws for mounting plate/DIN-rail and cover with polyamide cover screws.



**Dimensions:**

	Height	Width	Depth
mm:	130	130	125
inch:	5.12	5.12	4.92

**Materials:**

Material:	Polycarbonate
Base colour:	RAL 7035 -light grey
Cover colour:	RAL 7035 -light grey
Gasket material:	Polyurethane

**Temperatures:**

Temperature °C (short term)::	-40 ... 120
Temperature °C (continuous):	-40 ... 80
Temperature °F (short term):	-40 ... 250
Temperature °F (continuous):	-40 ... 175

**Accessories:**

MIV 10	DIN-35 Mounting rail. for enclosures: (100 x 35 x 1)
HFP 130	Front panel hinge series for FP A 100-125
FP A 125/130	Front panel (Aluminum). for enclosures: (120 x 112 x 1)
MIN 10	DIN-15 Mounting rail. for enclosures: (100 x 15 x 1)
FP 22046	Mounting foot kit (4 pcs)
MIV 125	Back Panel (Galvanized steel). for enclosures: (98 x 98 x 1)

**Rating:**

Ingress protection (EN 60529):	IP66; IP67;
Impact Resistance (EN 62262):	IK08;
Electrical insulation:	Totally insulated
Halogen free (DIN/VDE 0472, Part 815):	1

UV resistance:	UL 508
Flammability Rating:	UL 746C 5"
Glow Wire Test (IEC 695-2-1) °C:	960 °C
NEMA Class	

**Certificates:**

Certificate FI 40847