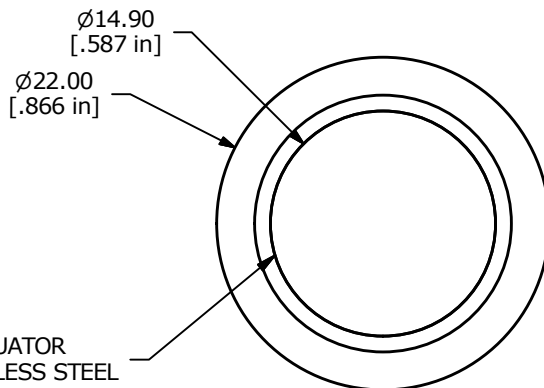
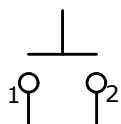


PANEL MOUNTING
MAX. PANEL THICKNESS 8.0mm



▲ DOMED ACTUATOR
POLISHED STAINLESS STEEL



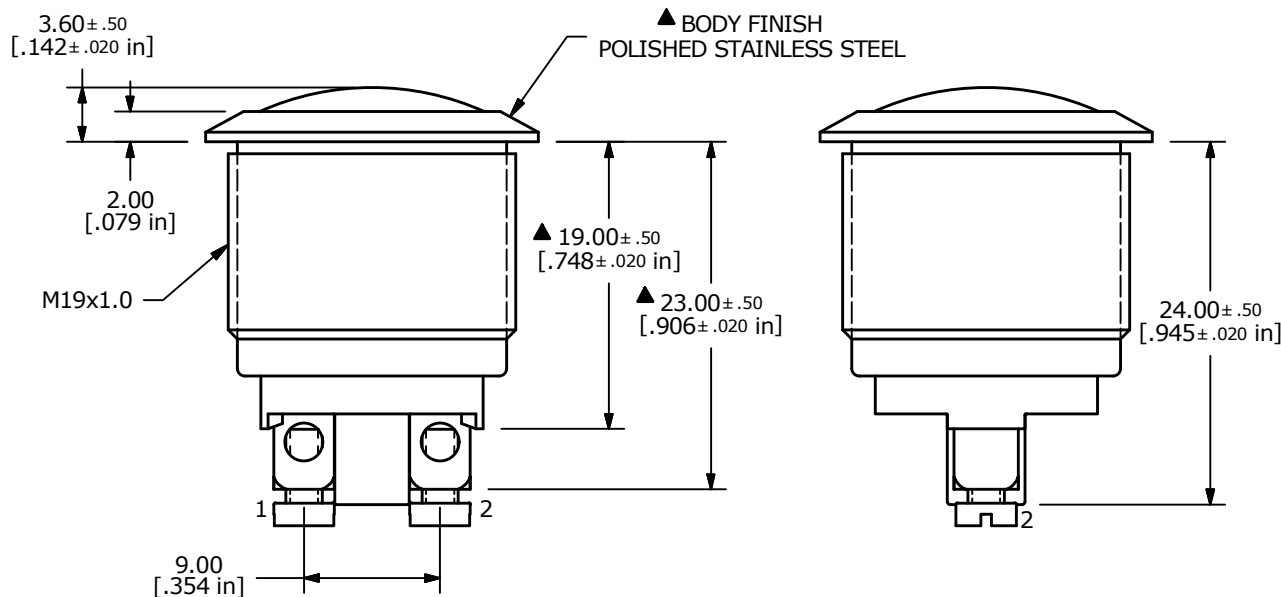
▲ CIRCUIT: SPST

| SWITCH FUNCTION | |
|-----------------|--------|
| POS. 1 | POS. 2 |
| | |
| OFF | (ON) |
| OPEN | 1-2 |

(ON) = MOMENTARY

NOTE:

1. ALL DIMENSIONS IN MM [INCH]
2. GENERAL TOLERANCE: X.X = ± 0.4
X.XX = ± 0.25
3. TERMINAL NOS. FOR REF. ONLY
- ▲ 4. FUNCTION: SPST
- ▲ 5. RATING: 2A @ 36VDC
6. CONTACT RESISTANCE: 50mΩ MAX. @ 1A 12VDC
7. INSULATION RESISTANCE: 1,000MΩ @ 500VDC
8. DIELECTRIC STRENGTH: 2,000VAC MIN. FOR 1 MINUTE
9. ELECTRICAL LIFE: 200,000 CYCLES
10. CONTACT MATERIAL: SILVER PLATED COPPER
11. OPERATING TEMPERATURE: -20°C TO 55°C
12. INGRESS PROTECTION: IP65
13. ▲ DENOTES CRITICAL PARAMETER
- ▲ 14. HARDWARE INCLUDED: HEX NUT AND O-RING (NOT SHOWN)



| | | | | |
|-----|--------|---------------------------------|----------|-----|
| C | 23593 | UPDATED RATING TO 2A @ 36VDC | 10/8/18 | MJR |
| B | 20330 | CORRECT TEMP RATING AND CONVERT | 12/12/11 | BMA |
| REV | PCR NO | DESCRIPTION | DATE | BY |

| | | | | |
|-----------------|------------|-----|--------------|-----|
| TITLE PV1S640SS | | | | |
| SCALE | DATE | DR | DWG | REV |
| 2:1 | 12/12/2011 | BMA | 52-PV1S640SS | C |

THE INFORMATION CONTAINED IN THIS DOCUMENT IS PROPRIETARY TO E-SWITCH AND IS NOT TO BE COPIED OR TRANSFERRED